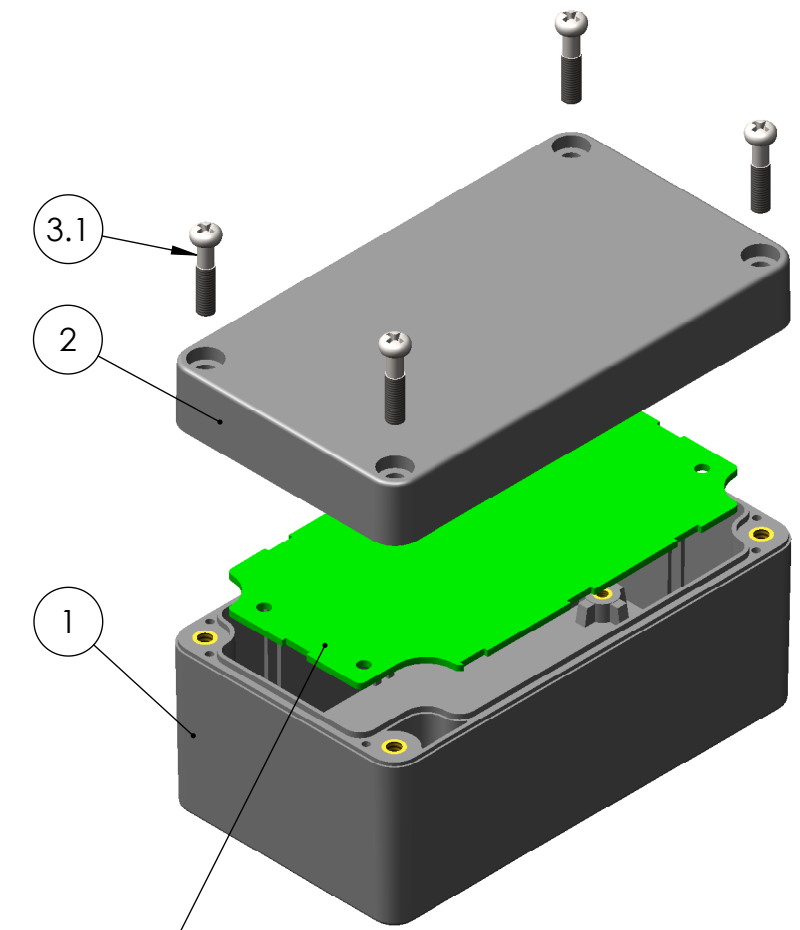
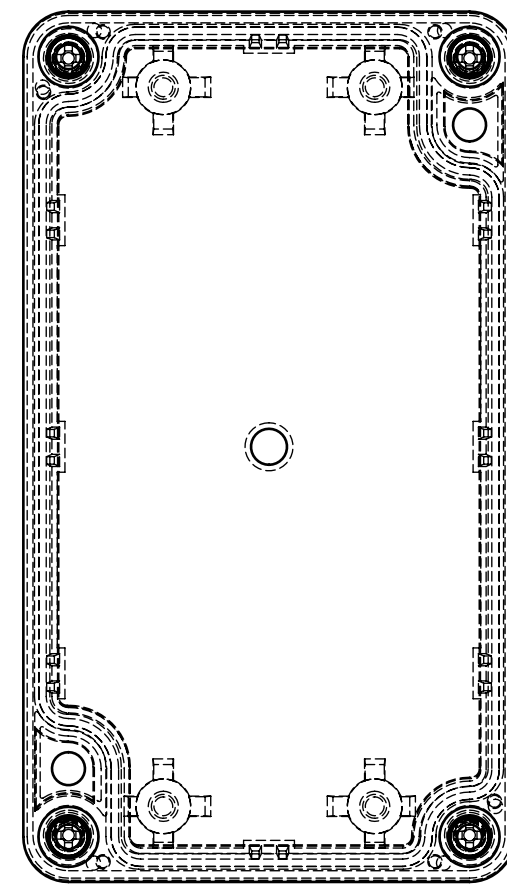
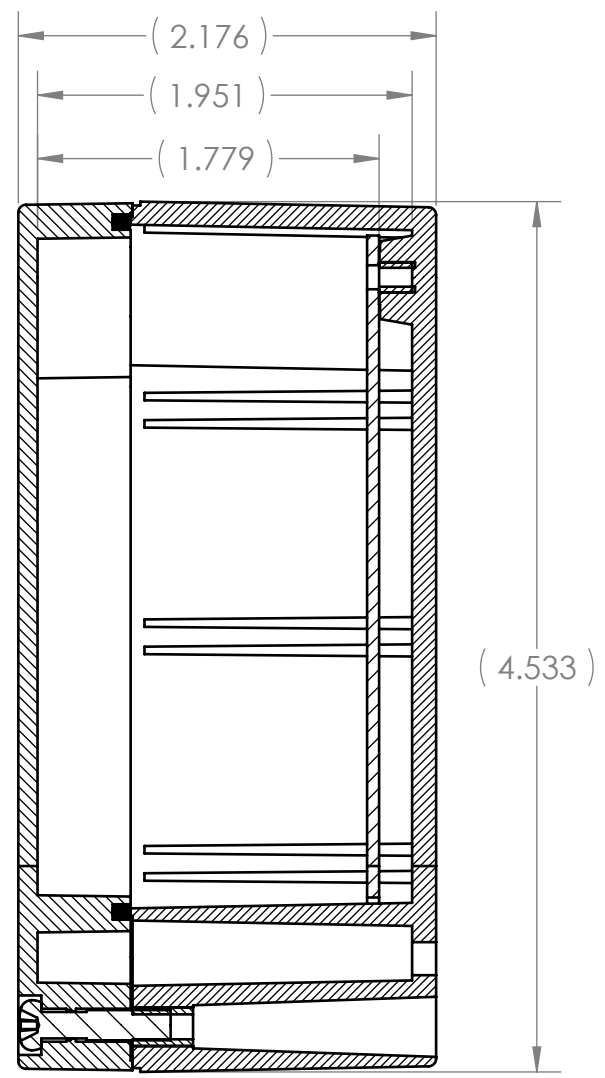
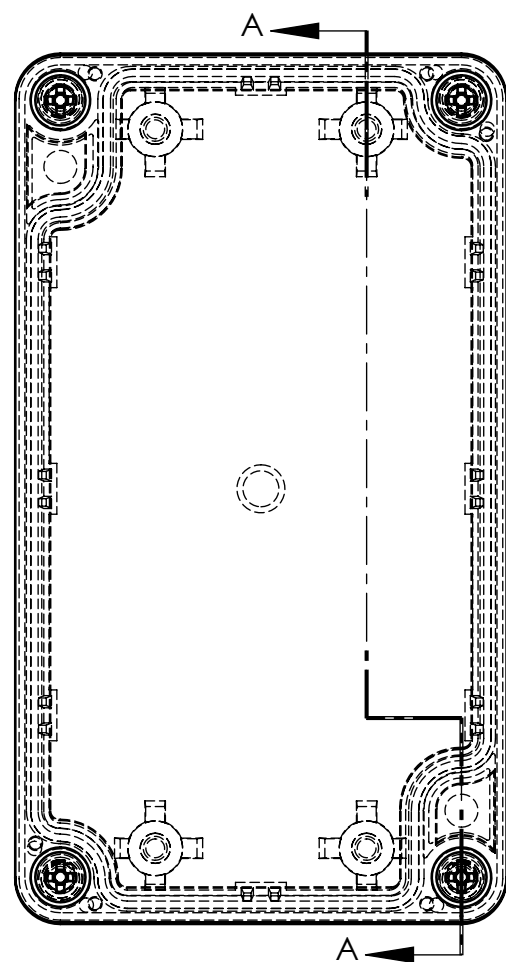
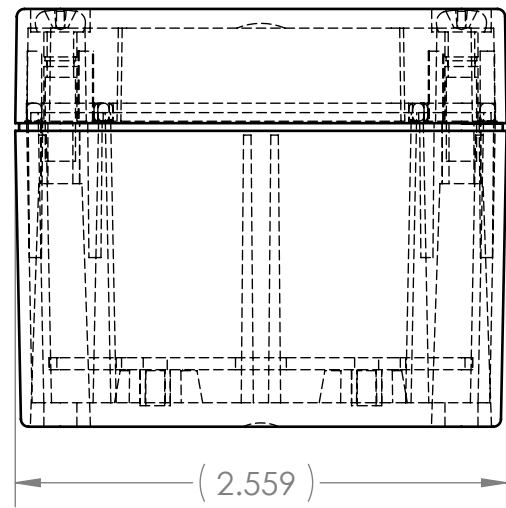


ITEM NO.	PART NUMBER	DESCRIPTION	Material	QTY.
1	WA-22B*16	WA BASE, W/MOUNTING BOSSES, DARK GRAY	ABS	1
2	WA-21C*16	WA COVER, W/GASKET, DARK GRAY	ABS	1
3	SCREWS-SSM4-20-4	ASSEMBLY SCREWS, 4 PACK		1
3.1	SCREWS-SSM4-20	M4X0.7 X 20mm OAL, PHILLIPS DRIVE MACHINE SCREW	STAINLESS STEEL	4

D
C
B
A



WA-22B*16-PCB (REF. ONLY):
PCB TEMPLATE FOR WA-22B*16



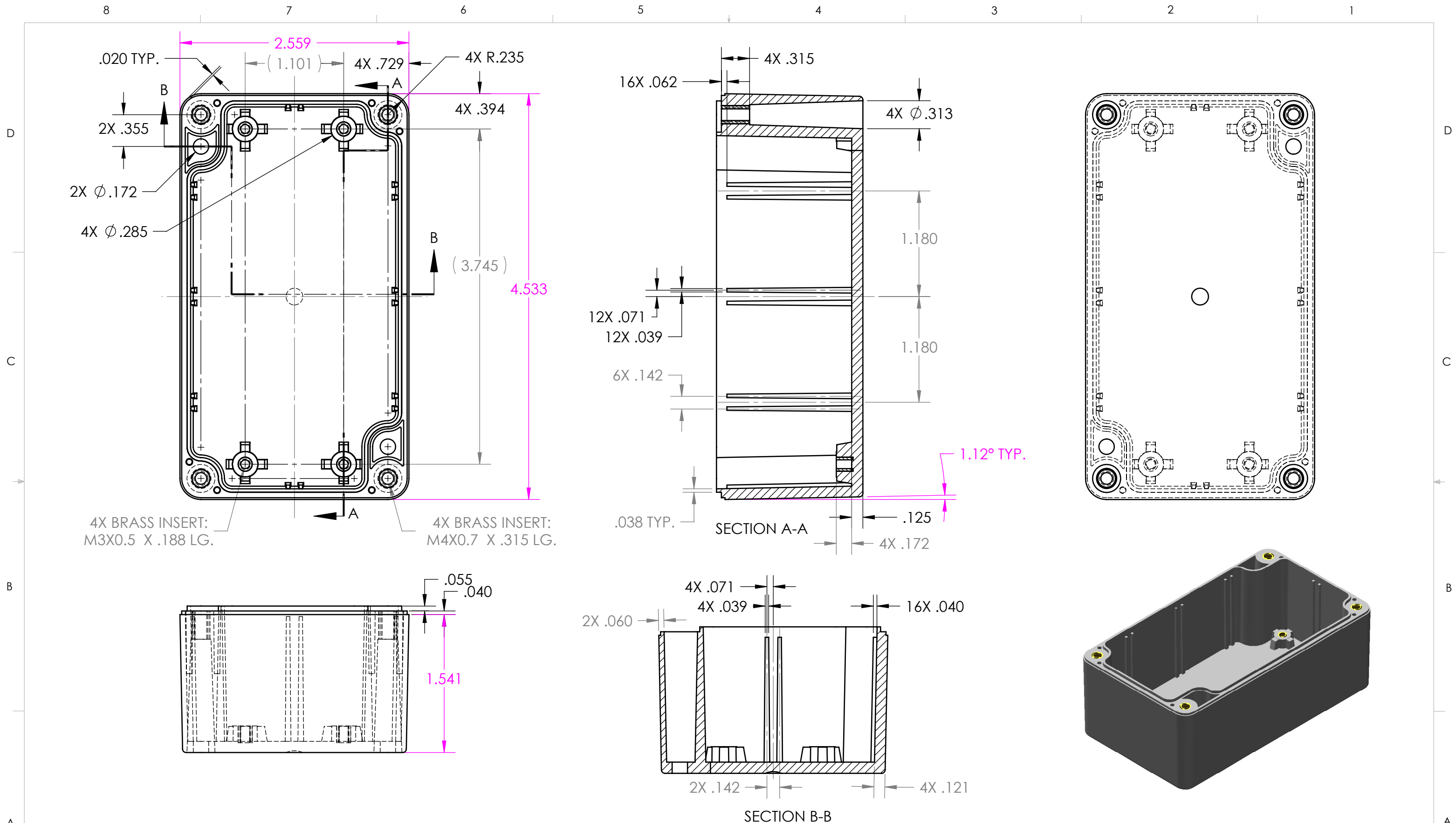
SECTION A-A

- NOTES:
1. UL94-HB FLAMMABILITY RATING
 2. SERVICE TEMPERATURE RANGE: -40°C TO 80°C
 3. DESIGNED TO NEMA 1, 2, 4, 4X, 12, 13
 4. MOUNTING BOSSES ACCEPT A M3X0.5 X 6mm SCREW WHEN USED WITH A .063 INCH THICK PCB. SCREWS ARE AVAILABLE FROM POLYCASE.
 5. MOUNTING FLANGE KITS ARE AVAILABLE FROM POLYCASE.
 6. UL LISTED TO UL508-4X SPECIFICATIONS (UL FILE #E194432).

REV.	DESCRIPTION	ZONE	BY	APPR'D	DATE
REVISIONS					

UNLESS OTHERWISE SPECIFIED: DIMENSIONS ARE IN: INCHES[mm] TOLERANCES: ANGULAR: ±2° TWO PLACE DECIMAL: ±.030 THREE PLACE DECIMAL: ±.015 PRINTED GRAPHICS: ±.010		PART NO. WA-22*16		 <small>1305 CHESTER IND. PARKWAY AVON, OHIO 44011-1083 U.S.A. PH#: 1-800-248-1233, 440-934-0444 FAX#: 440-934-0088</small>	
PROPRIETARY AND CONFIDENTIAL THE INFORMATION CONTAINED IN THIS DRAWING IS THE SOLE PROPERTY OF POLYCASE. ANY REPRODUCTION IN PART OR AS A WHOLE WITHOUT THE WRITTEN PERMISSION OF POLYCASE IS PROHIBITED. CAD FILE: WA-22*16		MATERIAL			
FLAME RATING UL94-HB		SIZE B	WA UNIT, W/MOUNTING BOSSES, WITH GASKET, DARK GRAY		REV -
DRAWN CHECKED		NAME DATE	SCALE: 1:1		SHEET 1 OF 1
		D.M.F. 6/2/2010			
		B.M.B. 11/16/2010			

8 7 6 5 4 3 2 1



- NOTES:
1. MATERIAL: ABS
 2. MOUNTING BOSSES ACCEPT A M3X0.5 X 6mm SCREW WHEN USED WITH A .063 INCH THICK PCB. SCREWS ARE AVAILABLE FROM POLYCASE.
 3. MOUNTING FLANGE KITS ARE AVAILABLE FROM POLYCASE.

REV.	DESCRIPTION	ZONE	BY	APPR'D	DATE
REVISIONS					

UNLESS OTHERWISE SPECIFIED:
 DIMENSIONS ARE IN: INCHES [mm]
 TOLERANCES: ANGULAR: $\pm 2^\circ$
 TWO PLACE DECIMAL: $\pm .030$
 THREE PLACE DECIMAL: $\pm .015$
 PRINTED GRAPHICS: $\pm .010$

PROPRIETARY AND CONFIDENTIAL
 THE INFORMATION CONTAINED IN THIS
 DRAWING IS THE SOLE PROPERTY OF
 POLYCASE. ANY REPRODUCTION IN PART
 OR AS A WHOLE WITHOUT THE WRITTEN
 PERMISSION OF POLYCASE IS PROHIBITED.
 CAD FILE: WA-22B+16

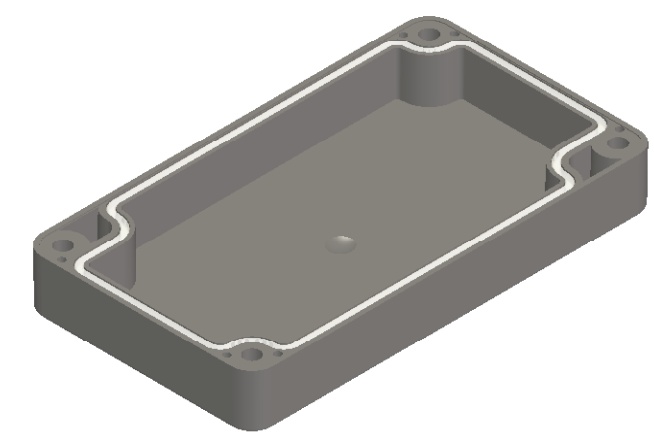
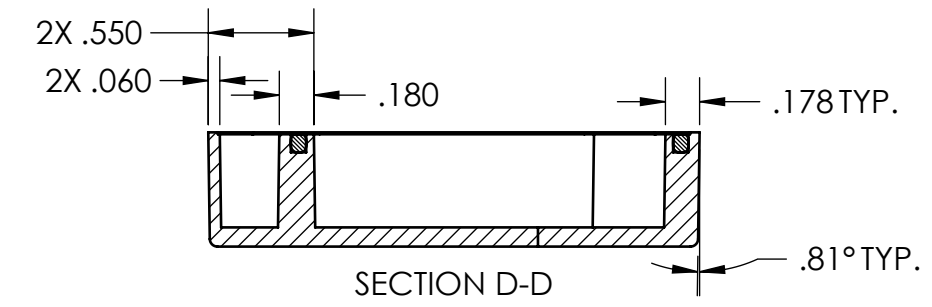
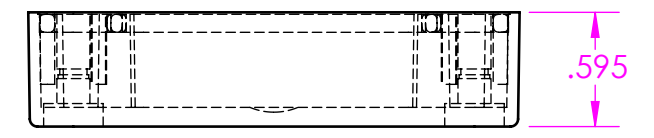
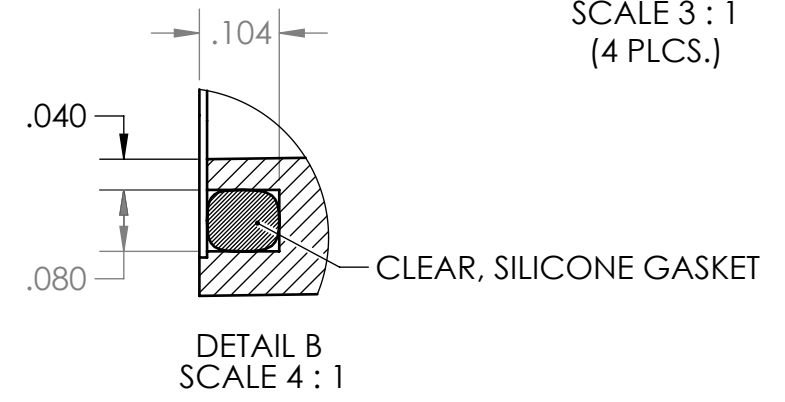
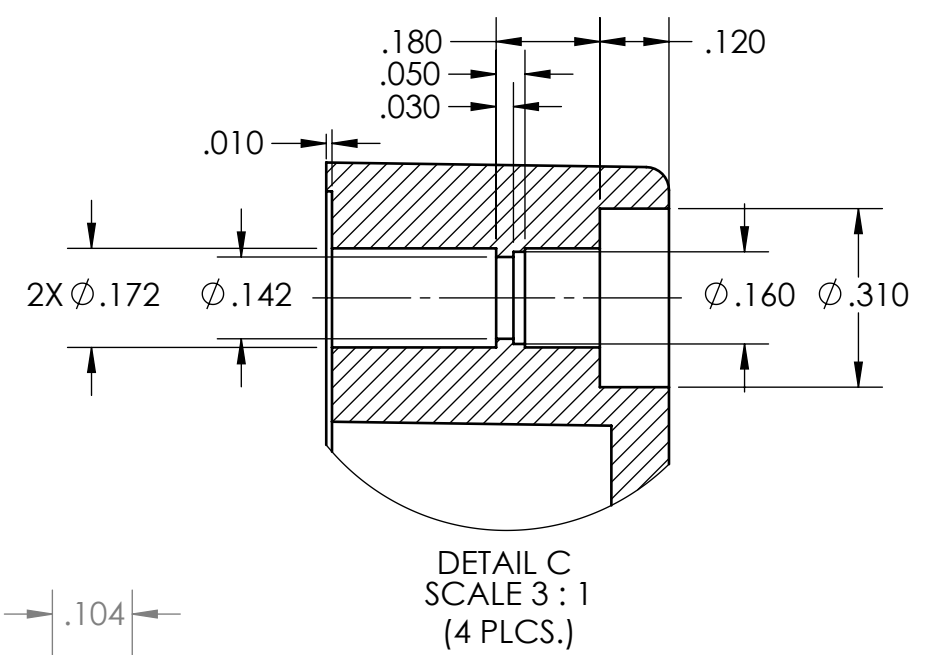
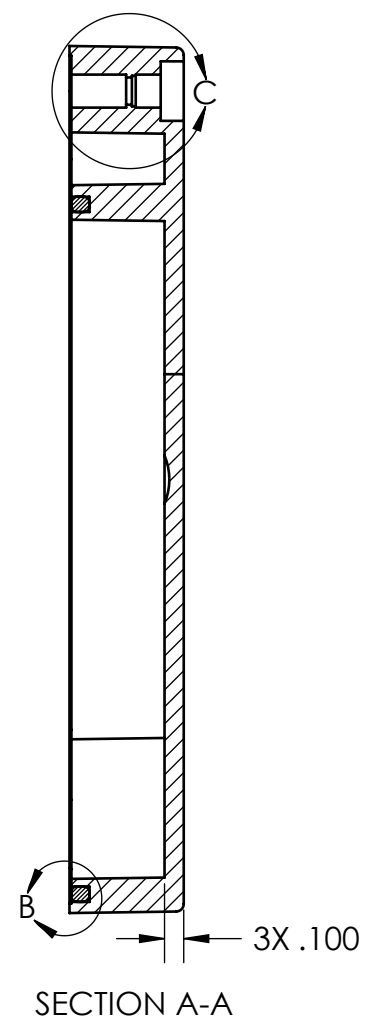
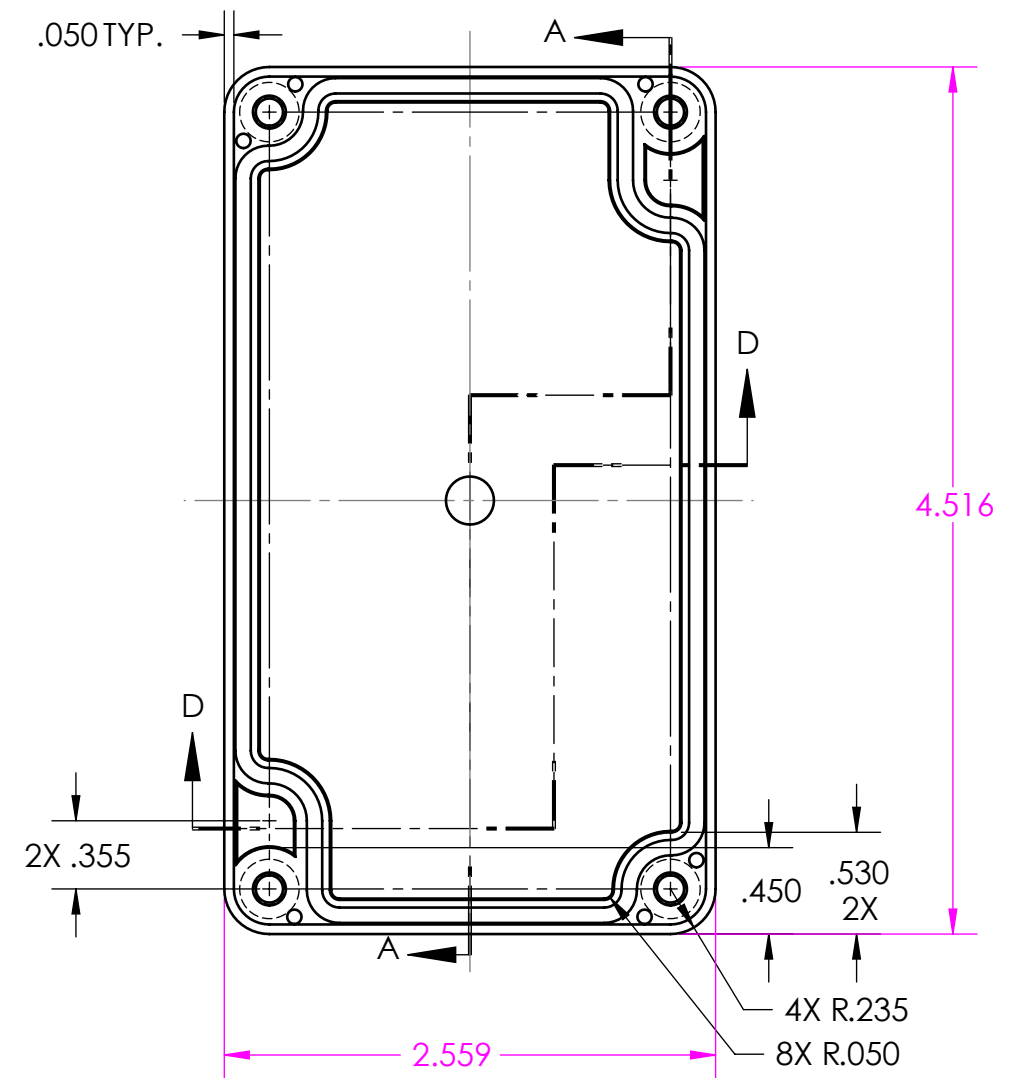
PART NO. WA-22B*16		
MATERIAL ABS		
FLAME RATING	SIZE B	WA BASE, W/MOUNTING BOSSES, DARK GRAY
DRAWN D.M.F.	NAME D.M.F.	DATE 6/2/2010
CHECKED B.M.B.	NAME B.M.B.	DATE 11/16/2010

polycase
 1305 CHESTER IND. PARKWAY AVON, OHIO 44011-1083 U.S.A.
 PH#: 1-800-248-1233, 440-934-0444 FAX#: 440-934-0888

SCALE: 1:1

SHEET 1 OF 1

8 7 6 5 4 3 2 1



NOTES:
1. MATERIAL: ABS

REV.	DESCRIPTION	ZONE	BY	APPR'D	DATE
REVISIONS					

UNLESS OTHERWISE SPECIFIED:
DIMENSIONS ARE IN: INCHES[mm]
TOLERANCES: ANGULAR: $\pm 2^\circ$
TWO PLACE DECIMAL: $\pm .030$
THREE PLACE DECIMAL: $\pm .015$
PRINTED GRAPHICS: $\pm .010$

PROPRIETARY AND CONFIDENTIAL
THE INFORMATION CONTAINED IN THIS
DRAWING IS THE SOLE PROPERTY OF
POLYCASE. ANY REPRODUCTION IN PART
OR AS A WHOLE WITHOUT THE WRITTEN
PERMISSION OF POLYCASE IS PROHIBITED.
CAD FILE: WA-21C+16

PART NO.
WA-21C*16

PRODUCT
-

CLIENT
-

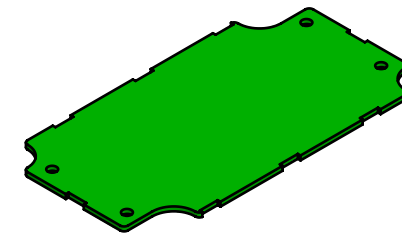
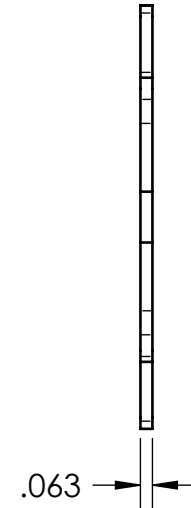
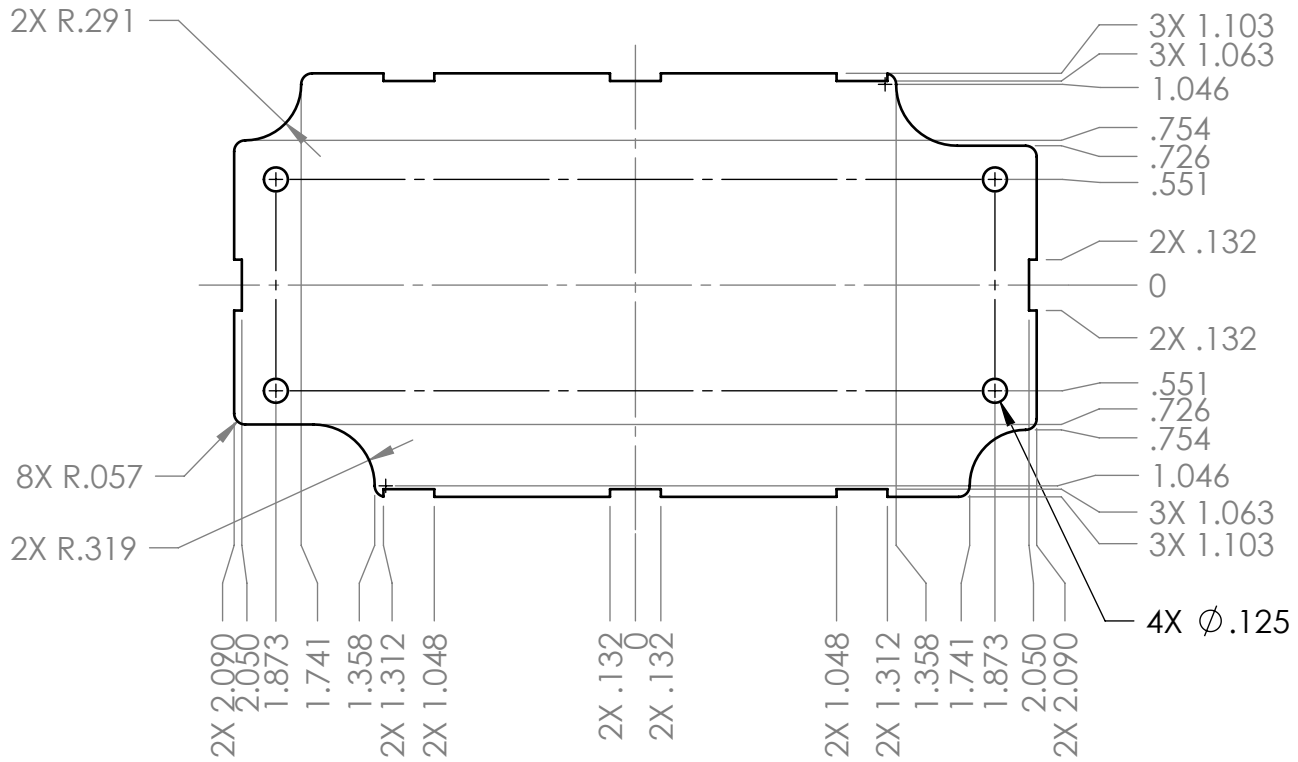
DRAWN	NAME	DATE
CHECKED	B.M.B.	6/9/2010

POLYCASETM
YOUR PERFECT FIT

1305 CHESTER IND. PARKWAY AVON, OHIO 44011-1083 U.S.A.
PH#: 1-800-248-1233, 440-934-0444 FAX#: 440-934-0088


SIZE B	TITLE: WA COVER, W/GASKET, DARK GRAY	REV -
SCALE: 1:1	SHEET 1 OF 1	

8 7 6 5 4 3 2 1



NOTES:

1. MOUNTING BOSSES ACCEPT A M3X0.5 X 6mm SCREW WHEN USED WITH A .063 INCH THICK PCB. SCREWS ARE AVAILABLE FROM POLYCASE.
2. INCLUDES .031 CLEARANCE FROM INTERIOR OF WA-22B*16.

UNLESS OTHERWISE SPECIFIED: DIMENSIONS ARE IN: INCHES[mm] TOLERANCES: ANGULAR: $\pm 2^\circ$ TWO PLACE DECIMAL: $\pm .010$ THREE PLACE DECIMAL: $\pm .005$ PRINTED GRAPHICS: $\pm .010$		PART NO. WA-22B*16-PCB		 <small>1305 CHESTER IND. PARKWAY AVON, OHIO 44011-1083 U.S.A. PH#: 1-800-248-1233, 440-934-0444 FAX#: 440-934-0088</small>	
PROPRIETARY AND CONFIDENTIAL THE INFORMATION CONTAINED IN THIS DRAWING IS THE SOLE PROPERTY OF POLYCASE. ANY REPRODUCTION IN PART OR AS A WHOLE WITHOUT THE WRITTEN PERMISSION OF POLYCASE IS PROHIBITED. CAD FILE: WA-22B+16-PCB		MATERIAL			
FLAME RATING		SIZE A	PCB TEMPLATE		REV -
ZONE	REV.	DESCRIPTION	BY	APPR'D	DATE
REVISIONS					
5			4		
				3	
				2	
				1	
				SCALE: 1:1	
				SHEET 1 OF 1	

ZONE	REV.	DESCRIPTION	BY	APPR'D	DATE
REVISIONS					
5			4		
				3	
				2	
				1	

5

4

3

2

1

D

C

B

A