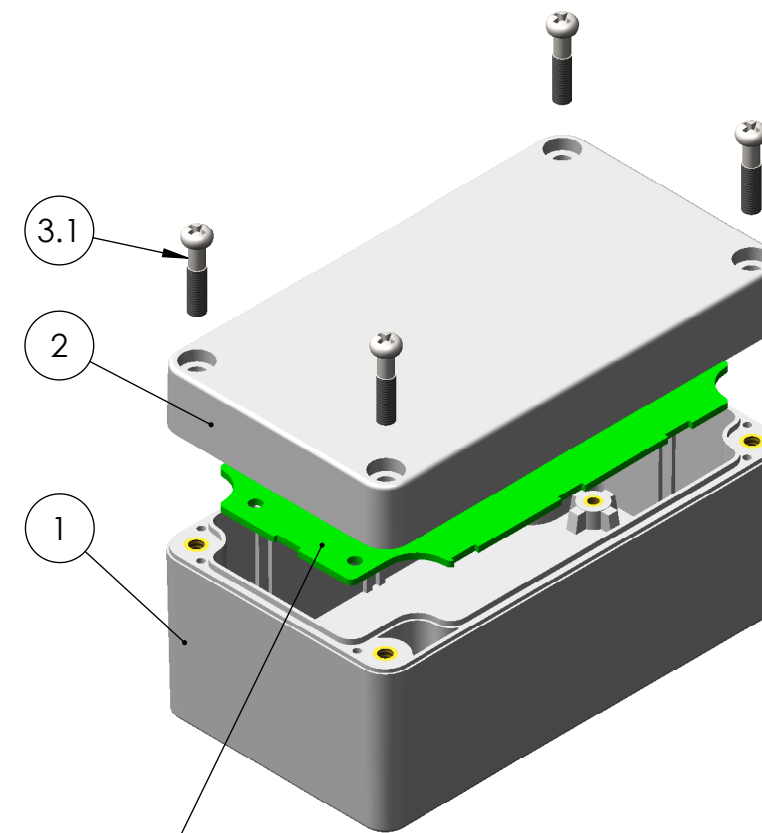
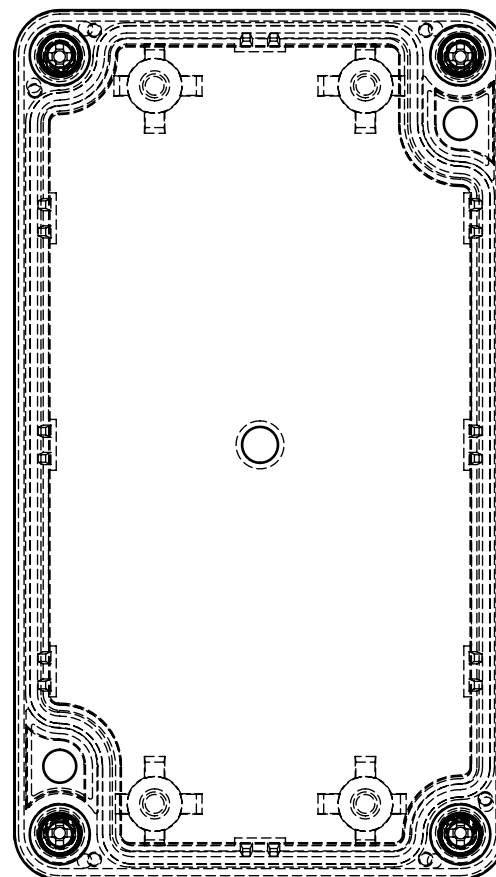
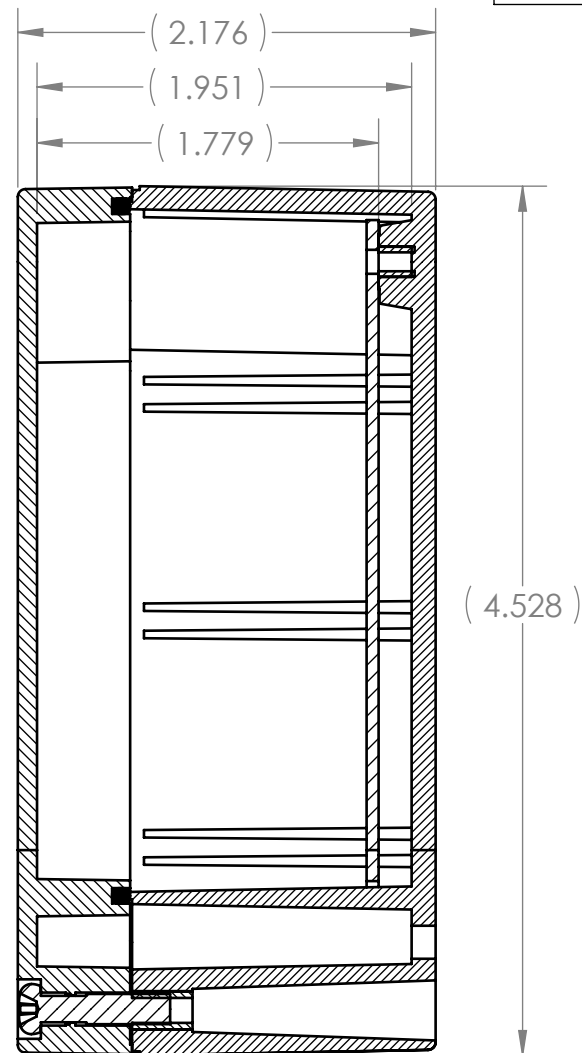
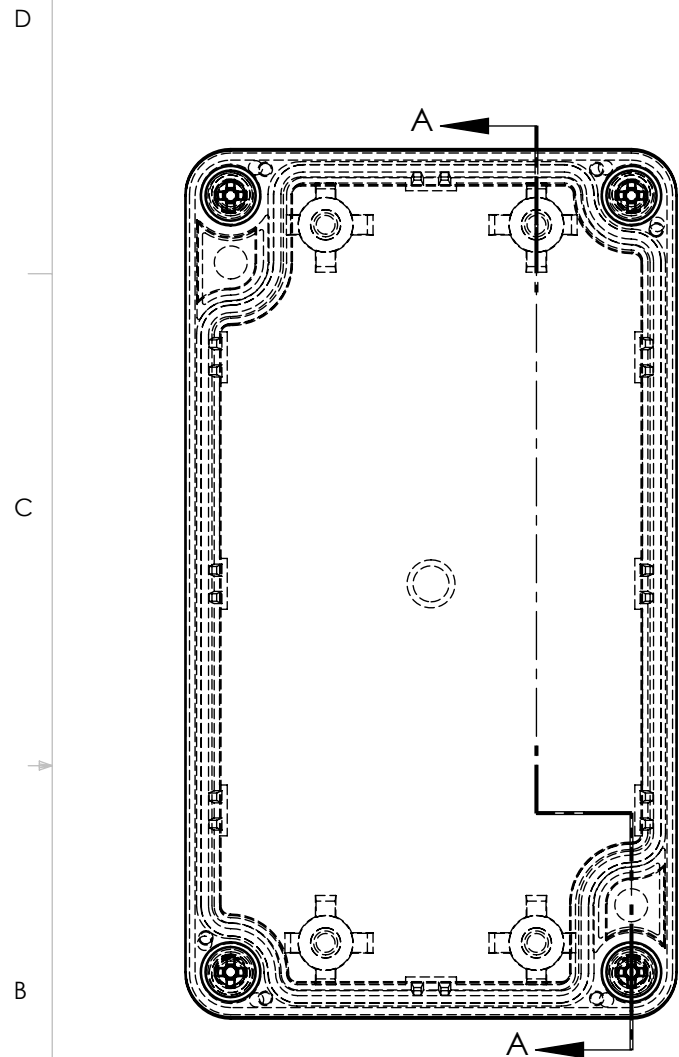
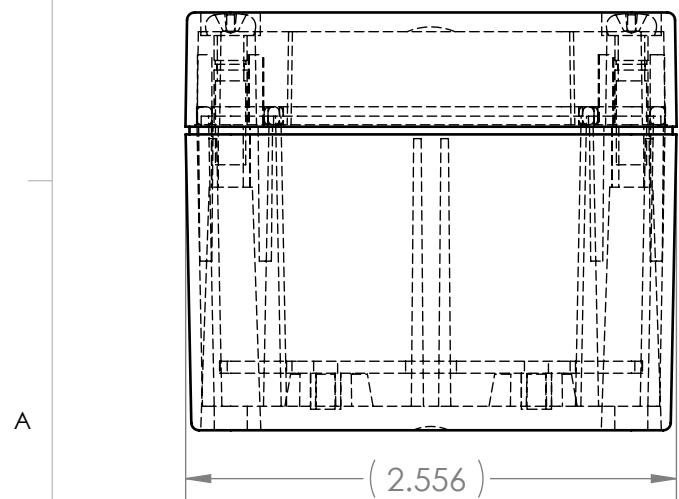


ITEM NO.	PART NUMBER	DESCRIPTION	Material	QTY.
1	WP-22B*15	WP BASE, W/MOUNTING BOSSES, LIGHT GRAY	POLYCARBONATE	1
2	WP-21C*15	WP COVER ONLY, W/GASKET, LIGHT GRAY	POLYCARBONATE	1
3	SCREWS-SSM4-20-4	ASSEMBLY SCREWS, 4 PACK		1
3.1	SCREWS-SSM4-20	M4X0.7 X 20mm OAL, PHILLIPS DRIVE MACHINE SCREW	STAINLESS STEEL	4



WP-22B\*15-PCB (REF. ONLY):  
PCB TEMPLATE FOR WP-22B\*15



SECTION A-A

NOTES:

- UL94-HB FLAMMABILITY RATING
- SERVICE TEMPERATURE RANGE: -40°C TO 120°C
- DESIGNED TO NEMA 1, 2, 4, 4X, 12, 13
- MOUNTING BOSSES ACCEPT A M3X0.5 X 6mm SCREW WHEN USED WITH A .063 INCH THICK PCB. SCREWS ARE AVAILABLE FROM POLYCASE.
- MOUNTING FLANGE KITS ARE AVAILABLE FROM POLYCASE.
- UL LISTED TO UL508-4X SPECIFICATIONS (UL FILE #E194432).

UNLESS OTHERWISE SPECIFIED:  
DIMENSIONS ARE IN: INCHES[mm]  
TOLERANCES: ANGULAR: ±2°  
TWO PLACE DECIMAL: ±.030  
THREE PLACE DECIMAL: ±.015  
PRINTED GRAPHICS: ±.010

PROPRIETARY AND CONFIDENTIAL  
THE INFORMATION CONTAINED IN THIS  
DRAWING IS THE SOLE PROPERTY OF  
POLYCASE. ANY REPRODUCTION IN PART  
OR AS A WHOLE WITHOUT THE WRITTEN  
PERMISSION OF POLYCASE IS PROHIBITED.  
CAD FILE: WP-22+15

PART NO.  
WP-22\*15  
MATERIAL

FLAME RATING  
UL94-HB

DRAWN	NAME	DATE
CHECKED	B.M.B.	11/16/2010

SIZE  
**B**

SCALE: 1:1

**polycase**

1305 CHESTER IND. PARKWAY AVON, OHIO 44011-1083 U.S.A.  
PH#: 1-800-248-1233, 440-934-0444 FAX#: 440-934-0088

WP UNIT, W/MOUNTING  
BOSSES, WITH GASKET,  
LIGHT GRAY

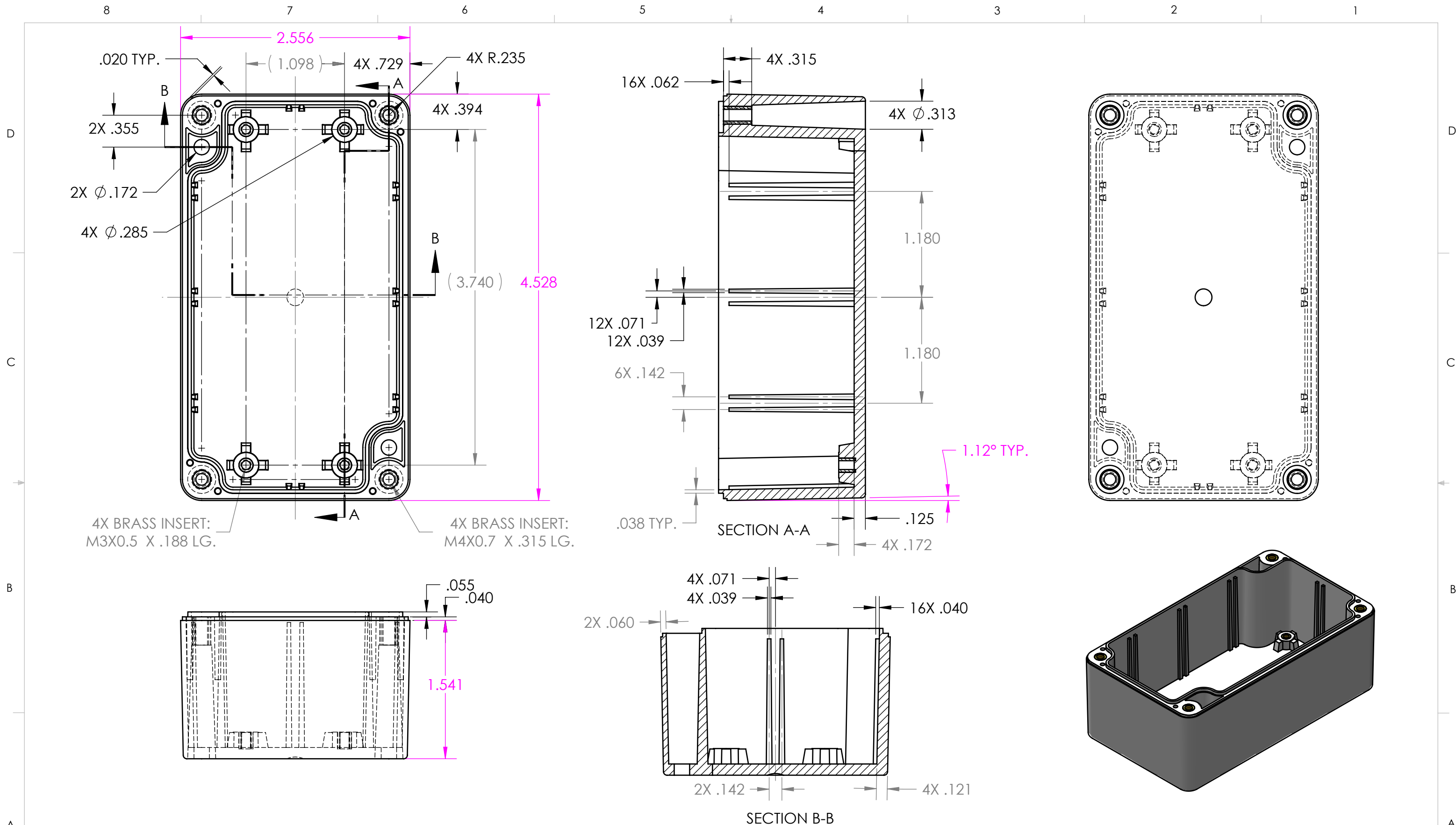
REV  
-

SHEET 1 OF 1

REV.	DESCRIPTION	ZONE	BY	APPR'D	DATE
REVISIONS					

8 7 6 5 4 3 2 1

8 7 6 5 4 3 2 1




4X BRASS INSERT:  
M3X0.5 X .188 LG.

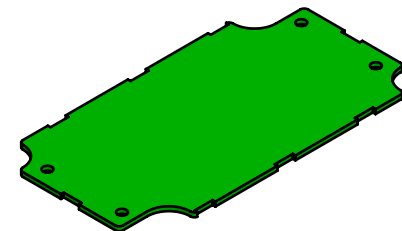
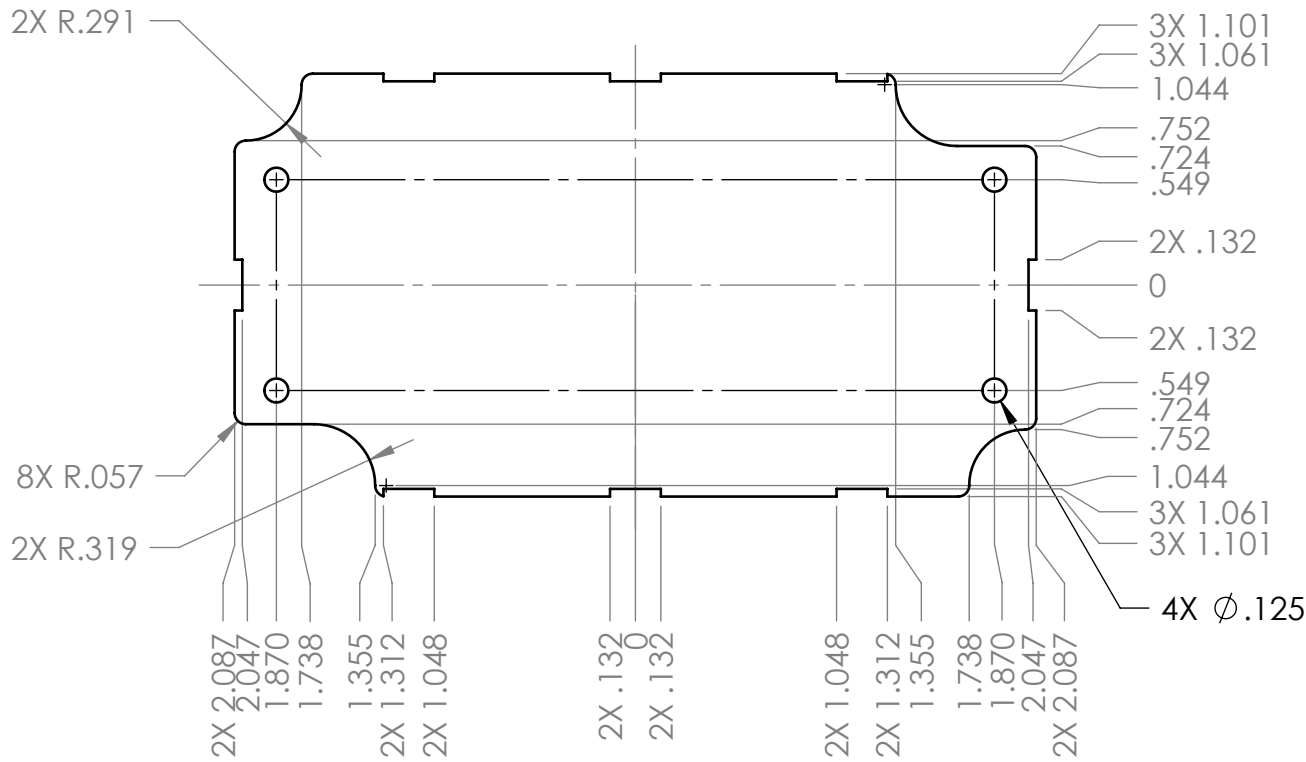
4X BRASS INSERT:  
M4X0.7 X .315 LG.

- NOTES:
1. MATERIAL: POLYCARBONATE
  2. MOUNTING BOSSES ACCEPT A M3X0.5 X 6mm SCREW WHEN USED WITH A .063 INCH THICK PCB. SCREWS ARE AVAILABLE FROM POLYCASE.
  3. MOUNTING FLANGE KITS ARE AVAILABLE FROM POLYCASE.

REV.	DESCRIPTION	ZONE	BY	APPR'D	DATE
REVISIONS					



UNLESS OTHERWISE SPECIFIED: DIMENSIONS ARE IN: INCHES [mm] TOLERANCES: ANGULAR: ±2° TWO PLACE DECIMAL: ±.030 THREE PLACE DECIMAL: ±.015 PRINTED GRAPHICS: ±.010		PART NO. WP-22B*15		 <small>1305 CHESTER IND. PARKWAY AVON, OHIO 44011-1083 U.S.A. PH#: 1-800-248-1233, 440-934-0444 FAX#: 440-934-0088</small>	
PROPRIETARY AND CONFIDENTIAL THE INFORMATION CONTAINED IN THIS DRAWING IS THE SOLE PROPERTY OF POLYCASE. ANY REPRODUCTION IN PART OR AS A WHOLE WITHOUT THE WRITTEN PERMISSION OF POLYCASE IS PROHIBITED. CAD FILE: WP-22B+15		MATERIAL POLYCARBONATE			
FLAME RATING		SIZE <b>B</b>	WP BASE, W/MOUNTING BOSSES, LIGHT GRAY		REV -
DRAWN	D.M.F.	DATE	6/2/2010	SCALE: 1:1	
CHECKED	B.M.B.	DATE	11/16/2010	SHEET 1 OF 1	





**NOTES:**

1. MOUNTING BOSSES ACCEPT A M3X0.5 X 6mm SCREW WHEN USED WITH A .063 INCH THICK PCB. SCREWS ARE AVAILABLE FROM POLYCASE.
2. INCLUDES .031 CLEARANCE FROM INTERIOR OF WP-22B\*15.

UNLESS OTHERWISE SPECIFIED: DIMENSIONS ARE IN: INCHES[mm] TOLERANCES: ANGULAR: ±2° TWO PLACE DECIMAL: ±.010 THREE PLACE DECIMAL: ±.005 PRINTED GRAPHICS: ±.010		PART NO. WP-22B*15-PCB		 <small>1305 CHESTER IND. PARKWAY AVON, OHIO 44011-1083 U.S.A. PH#: 1-800-248-1233, 440-934-0444 FAX#: 440-934-0088</small>	
PROPRIETARY AND CONFIDENTIAL THE INFORMATION CONTAINED IN THIS DRAWING IS THE SOLE PROPERTY OF POLYCASE. ANY REPRODUCTION IN PART OR AS A WHOLE WITHOUT THE WRITTEN PERMISSION OF POLYCASE IS PROHIBITED. CAD FILE: WP-22B+15-PCB		MATERIAL			
FLAME RATING		SIZE <b>A</b>	PCB TEMPLATE		REV -
DRAWN D.M.F. 6/2/2010		NAME B.M.B.	DATE 11/10/2010	SCALE: 1:1	
SHEET 1 OF 1					

ZONE	REV.	DESCRIPTION	BY	APPR'D	DATE
REVISIONS					

5

4

3

2

1