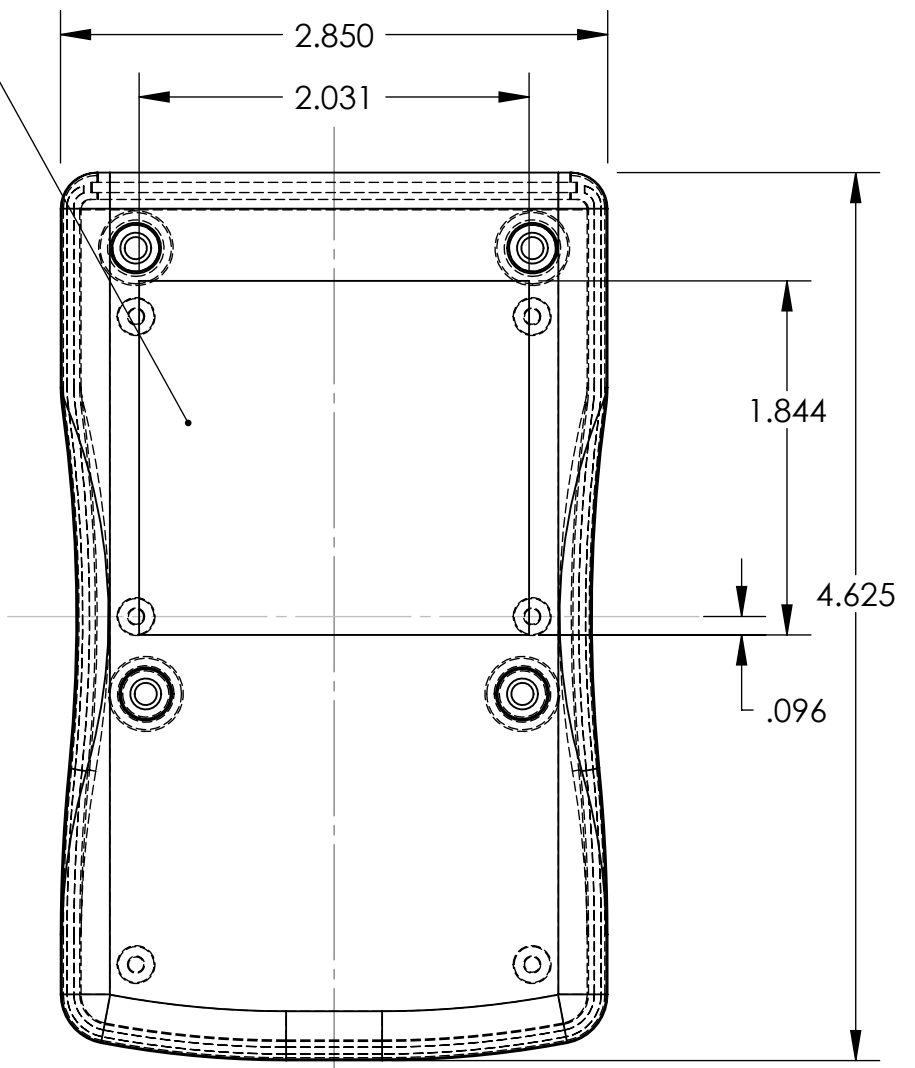
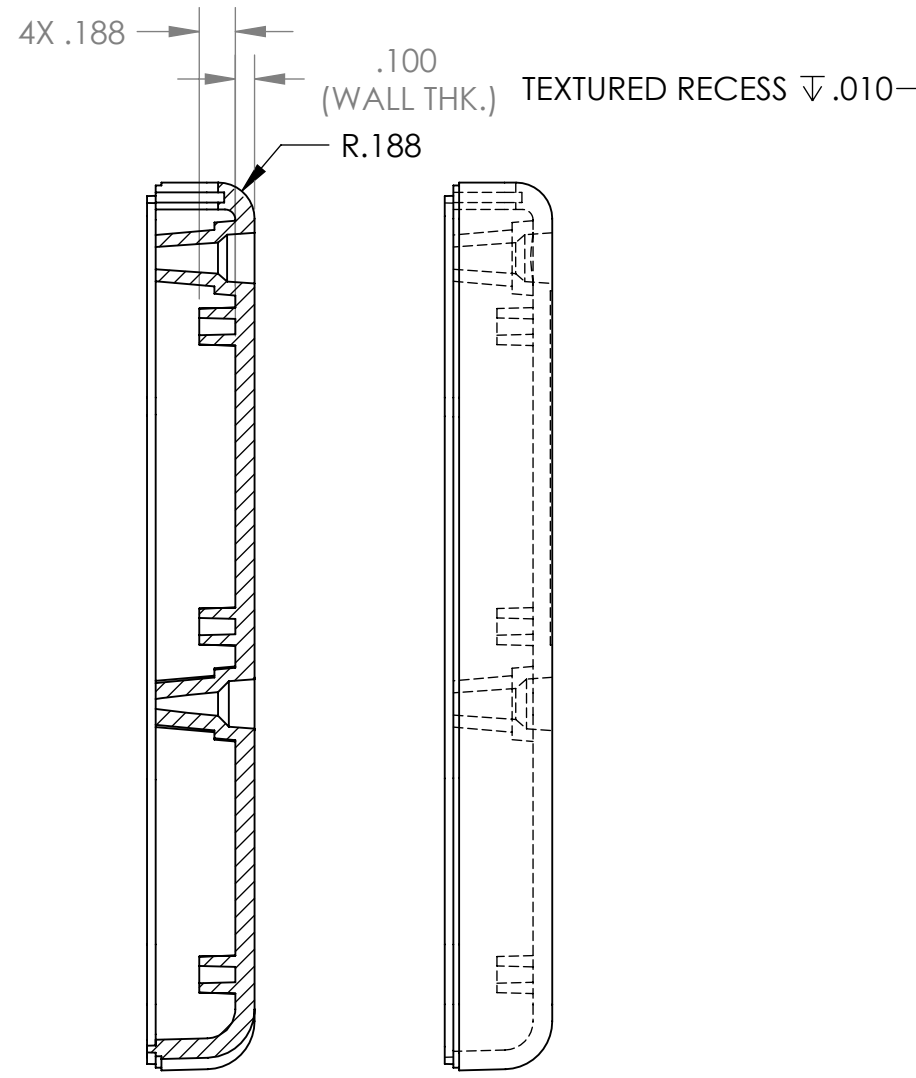
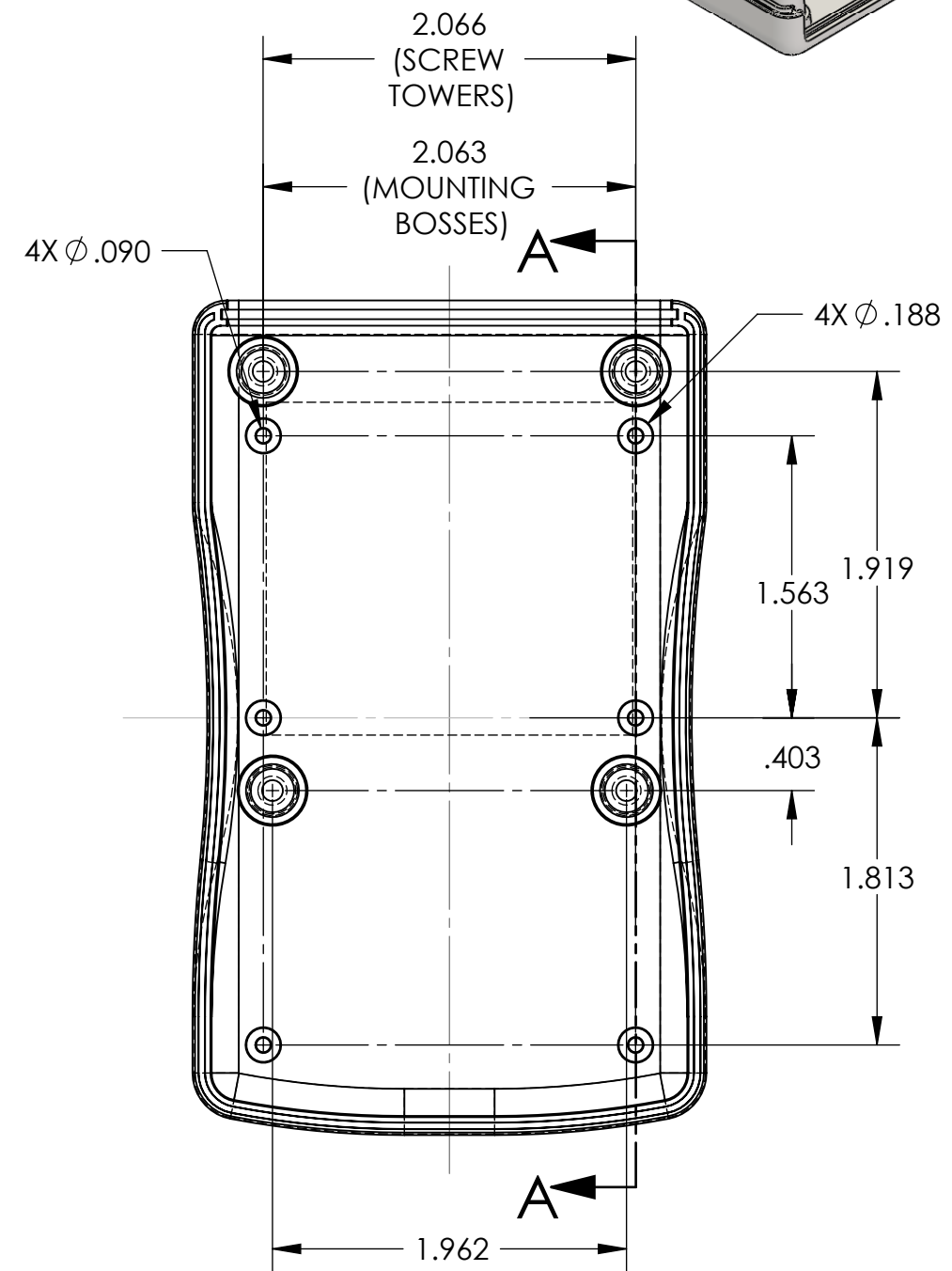
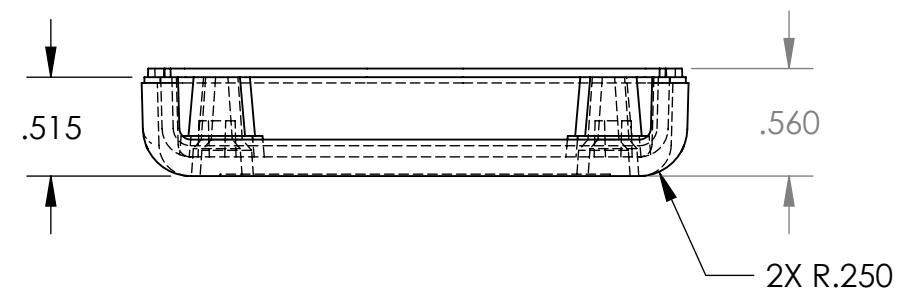
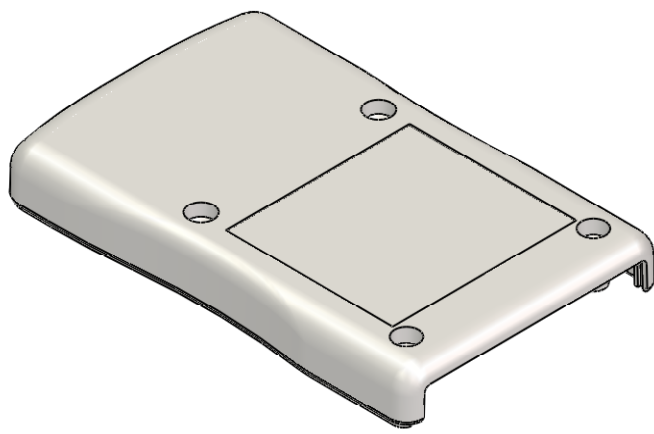
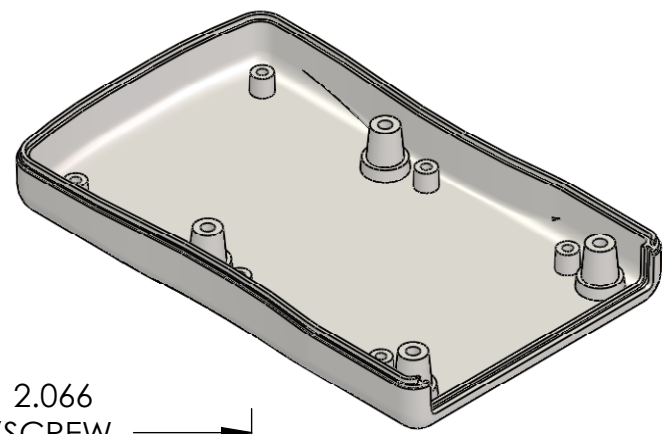


8 7 6 5 4 3 2 1

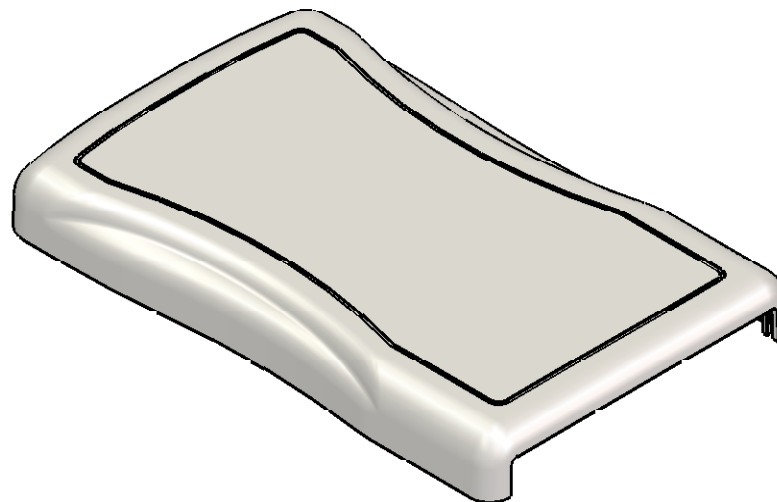
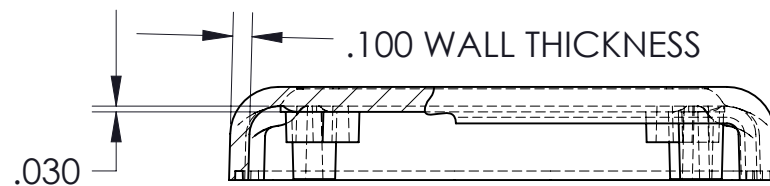
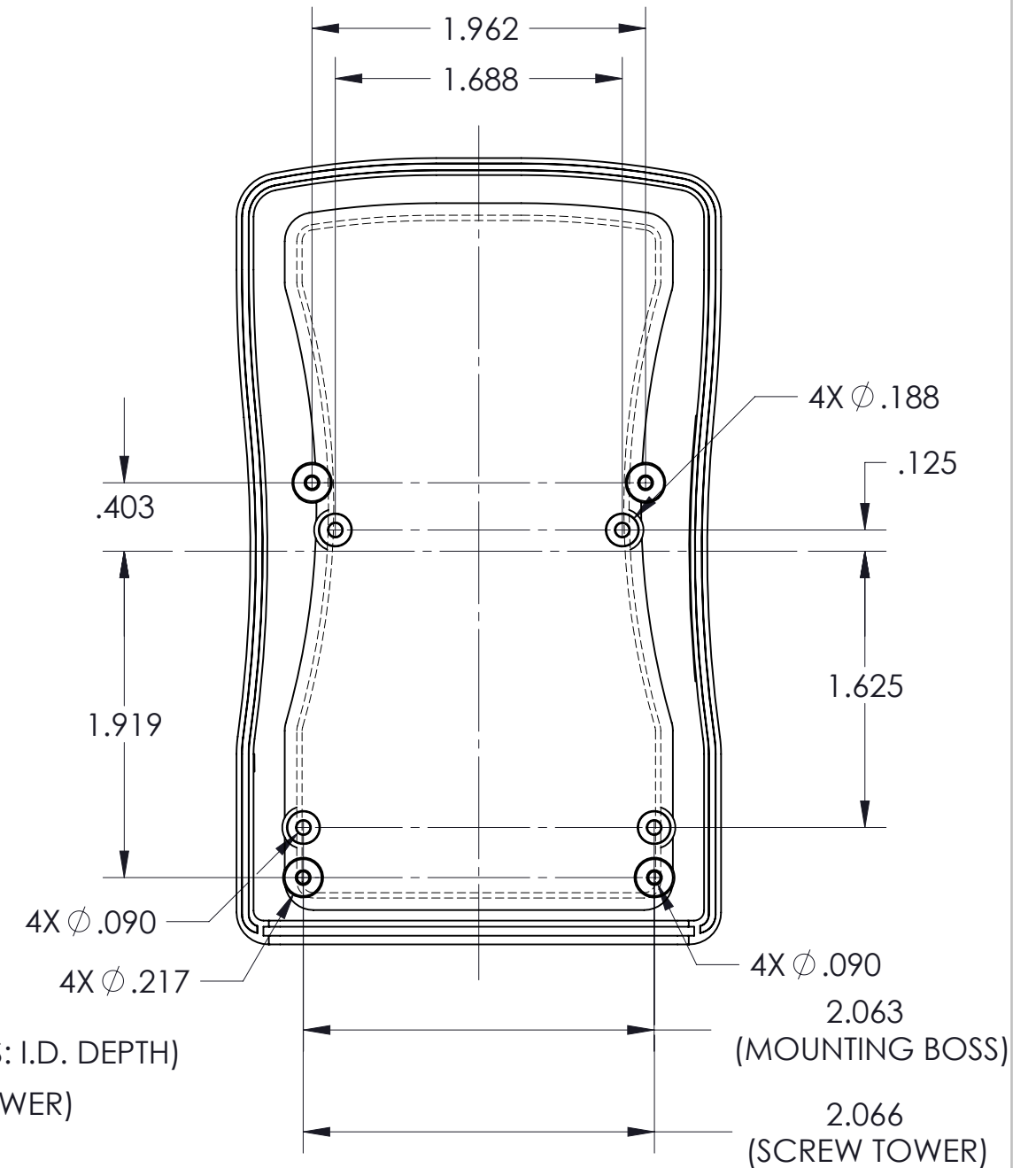
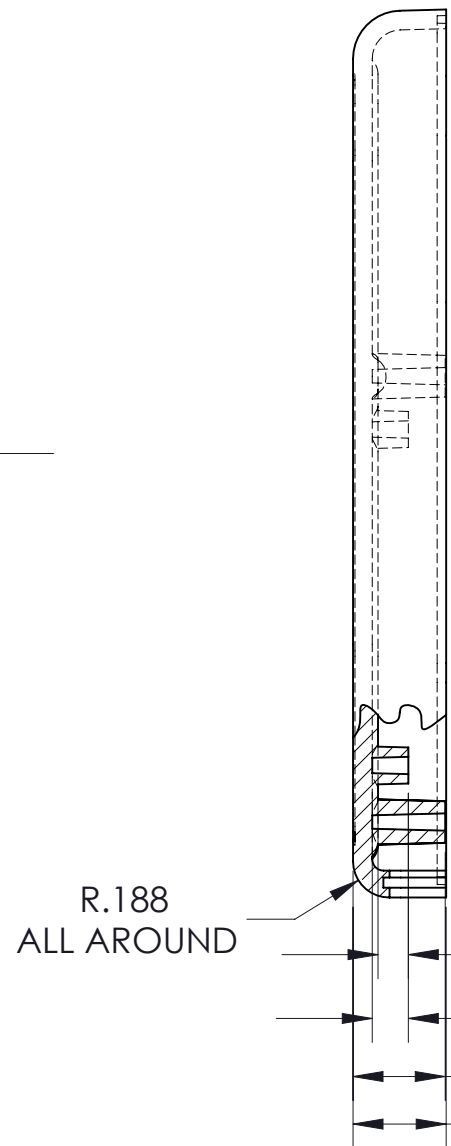
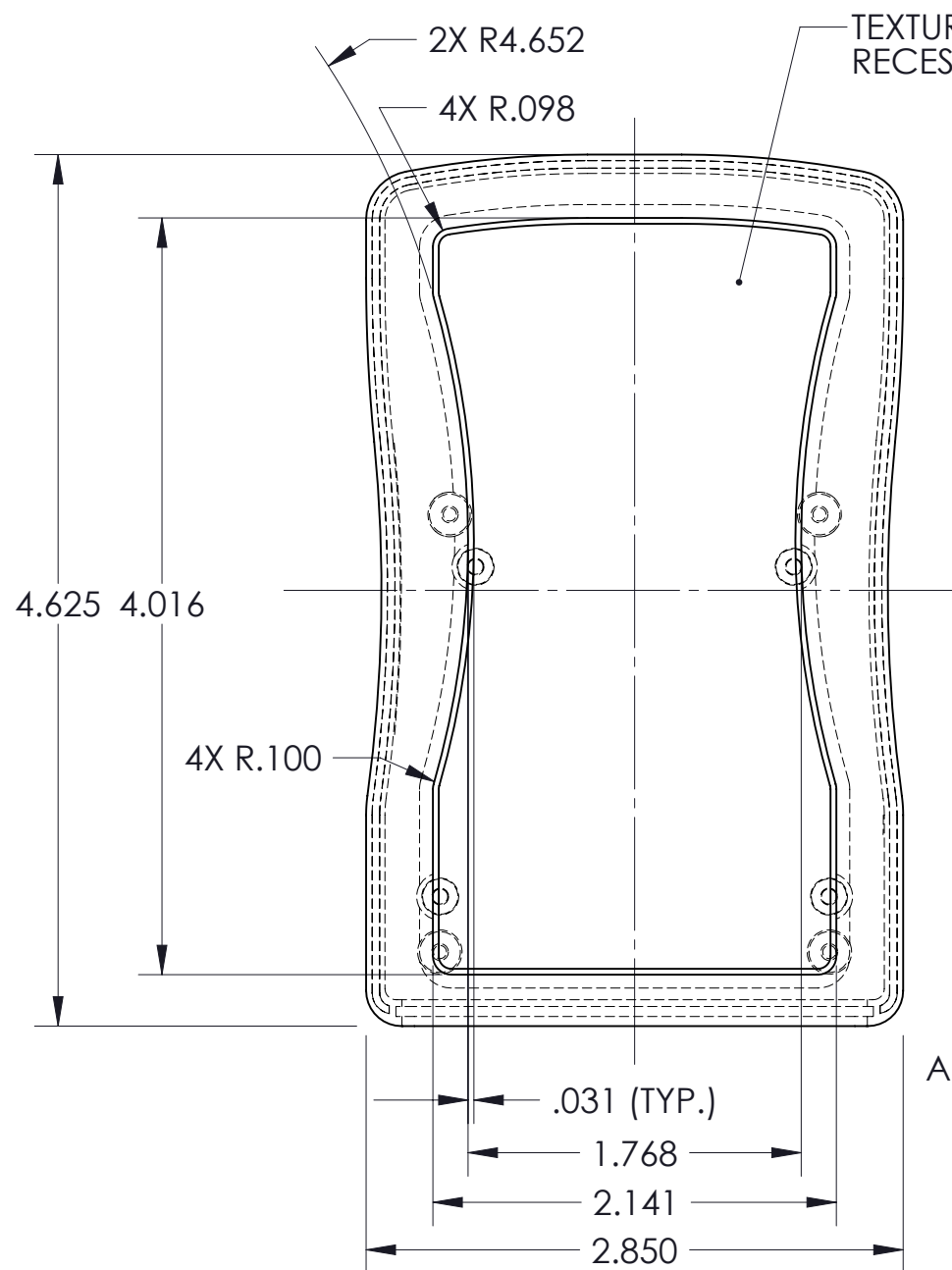


SECTION A-A

NOTE:
 1. MOUNTING BOSES TO ACCEPT A #4-24 X 1/4 THREAD FORMING SCREW USED WITH A 1/16 THICK PCB. (SCREWS AVAILABLE FROM POLYCASE)

UNLESS OTHERWISE SPECIFIED: DIMENSIONS ARE IN: INCHES[mm] TOLERANCES: ANGULAR: ±2° TWO PLACE DECIMAL: ±.010 THREE PLACE DECIMAL: ±.005	DWG. NO. VM-24BMB		 1305 CHESTER IND. PARKWAY AVON, OHIO 44011-1083 U.S.A. PH#: 1-800-248-1233, 440-934-0444 FAX#: 440-934-0088	SIZE B	TITLE: Secondary Operations Drawing	REV -
	PRODUCT			CLIENT	SCALE: 1:1	
PROPRIETARY AND CONFIDENTIAL THE INFORMATION CONTAINED IN THIS DRAWING IS THE SOLE PROPERTY OF POLYCASE. ANY REPRODUCTION IN PART OR AS A WHOLE WITHOUT THE WRITTEN PERMISSION OF POLYCASE IS PROHIBITED. CAD FILE: VM-24BMB		DRAWN D.F.	DATE 6/16/08	CHECKED B.M.B.	DATE 6/16/08	

8 7 6 5 4 3 2 1



NOTE:
1. PRELIMINARY DRAWING: DIMENSIONS SUBJECT TO CHANGE
2. MTG. BOSSES TO ACCEPT A #4-24 X 1/4 THREAD FORMING SCREW USED WITH A 1/16 THICK PCB. (SCREWS AVAILABLE FROM POLYCASE)

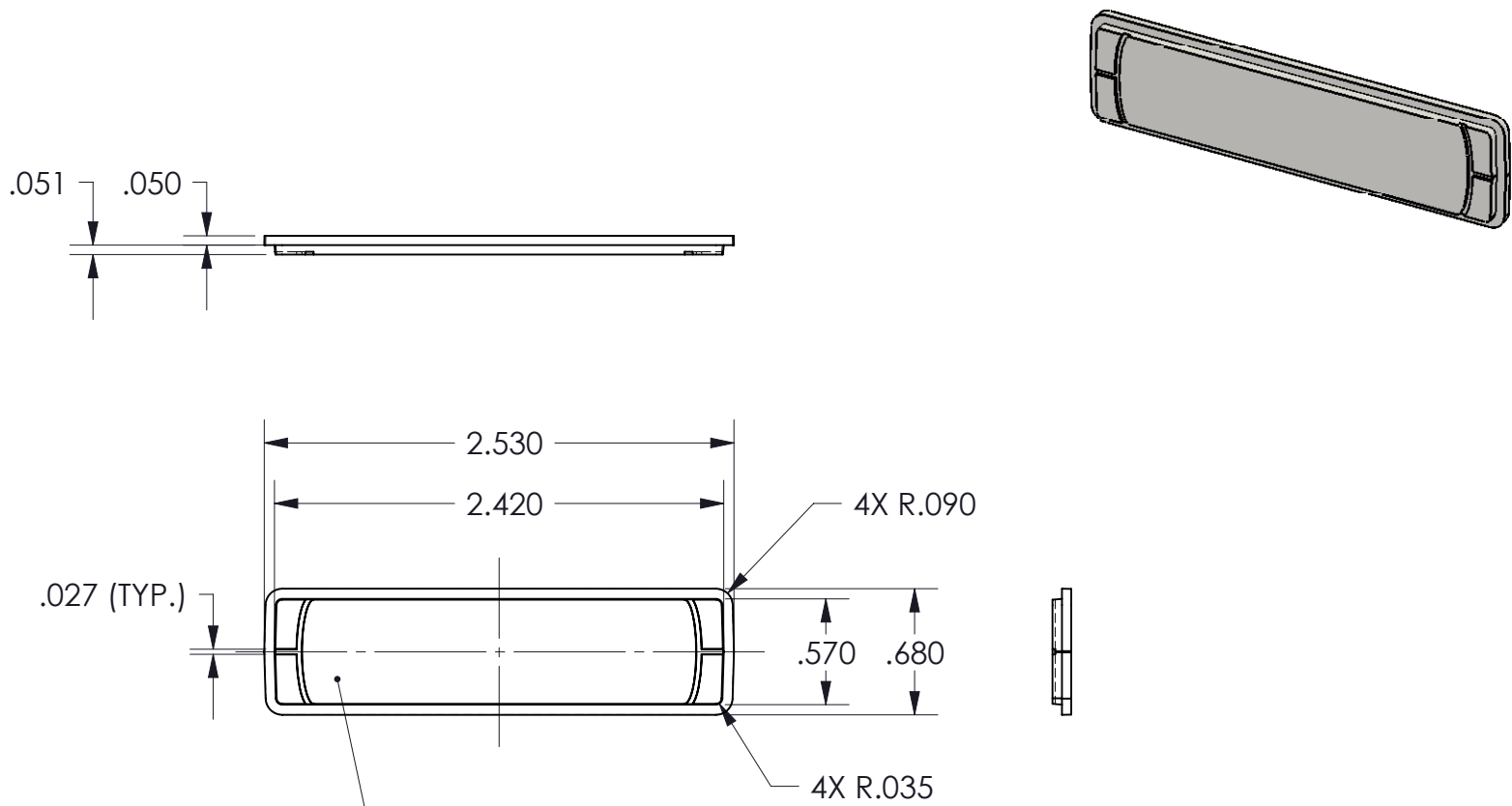


TOLERANCES UNLESS OTHERWISE SPECIFIED:
X.XX \pm .030
X.XXX \pm .015

1305 CHESTER IND. PARKWAY AVON, OHIO 44011-1083 U.S.A.
PH#: 1-800-248-1233, 440-934-0444 FAX#: 440-934-0088

THIS DRAWING AND THE INFORMATION CONTAINED ARE THE PROPERTY OF POLYCASE AND ARE NOT TO BE REPRODUCED, COPIED OR USED IN ANY WAY DETRIMENTAL TO THE INTEREST OF POLYCASE

DRWN BY D.F.	APP. BY B.B.	SCALE: 1:1	DATE: 9/19/06
JOB NO: -		PRODUCT: VM-24C	
CUSTOMER: -			SIZE: B
TITLE: PRODUCT DETAIL DRAWING			

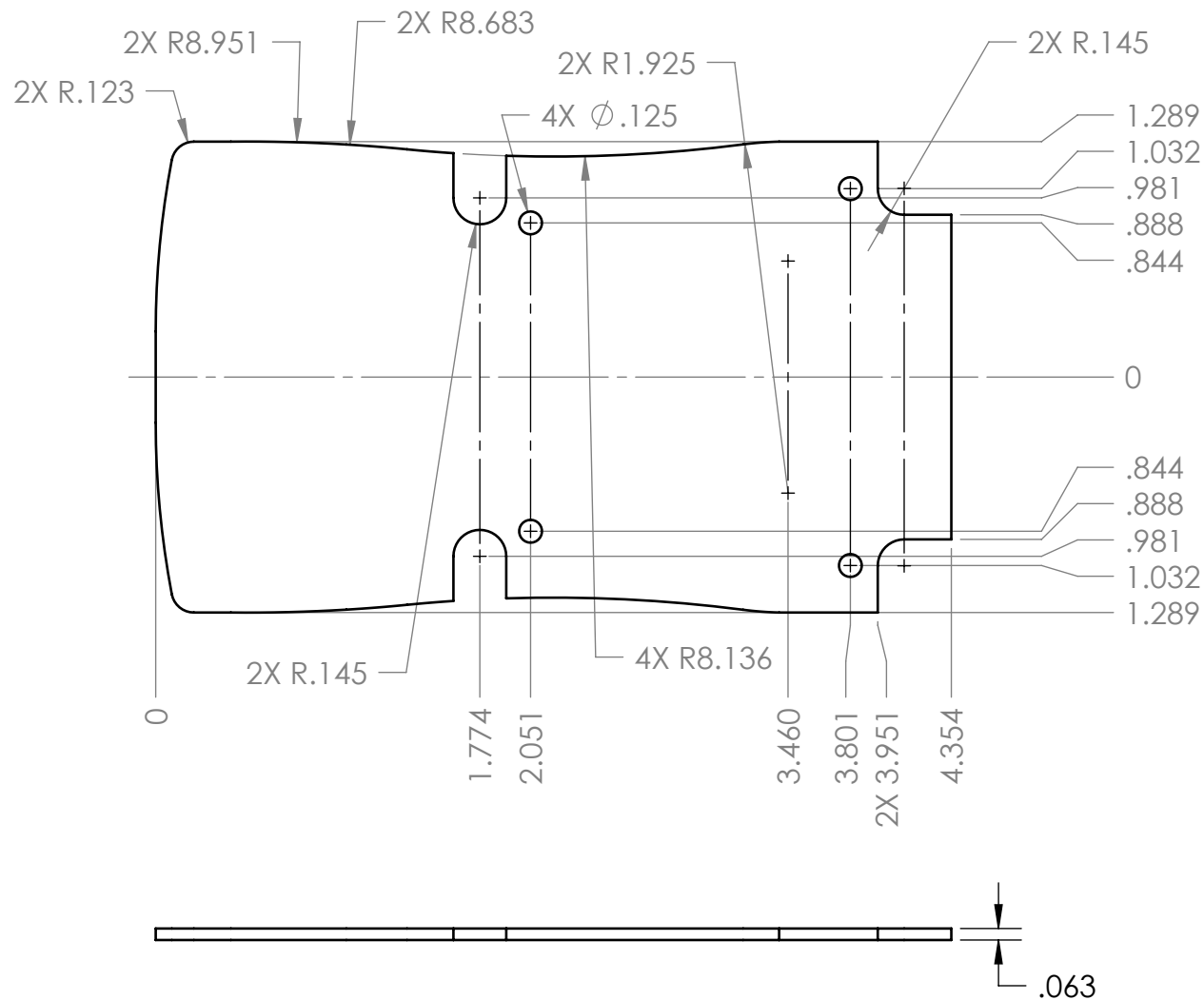


AVAILABLE IN UNTEXTURED, INFRARED PERMISSIVE MATERIAL.

SHEET 1 OF 1

NOTE:
T. PRELIMINARY DRAWING: DIMENSIONS SUBJECT TO CHANGE.

	DRWN BY D.F.	APP. BY B.B.	SCALE: 1:1	DATE: 9/20/06
	JOB NO: -		PRODUCT: VM-24EP	
TOLERANCES UNLESS OTHERWISE SPECIFIED: X.XX ±.030 X.XXX ±.015	1305 CHESTER IND. PARKWAY AVON, OHIO 44011-1083 U.S.A. PH#: 1-800-248-1233, 440-934-0444 FAX#: 440-934-0088			SIZE: A
THIS DRAWING AND THE INFORMATION CONTAINED ARE THE PROPERTY OF POLYCASE AND ARE NOT TO BE REPRODUCED, COPIED OR USED IN ANY WAY DETRIMENTAL TO THE INTEREST OF POLYCASE				TITLE: PRODUCT DETAIL DRAWING



- NOTES:
1. PCB SIZES INCLUDE .03 CLEARANCE FROM INNER WALLS AND SCREW TOWERS WHEN UTILIZING THE MOUNTING BOSSES FOUND ON THE VM-24 COVER AND USED WITH THE VM-24 BASE WITHOUT THE BATTERY COMPARTMENT.
 2. PCB BOSSES WILL ACCEPT A #4 X 1/4 THREAD FORMING SCREW. (SCREWS ARE AVAILABLE FROM POLYCASE)

<p>UNLESS OTHERWISE SPECIFIED: DIMENSIONS ARE IN: INCHES[mm] TOLERANCES: ANGULAR: ±2° TWO PLACE DECIMAL: ±.010 THREE PLACE DECIMAL: ±.005</p>		<p>PART NO. VM-24C-PCB</p>																				
<p>PROPRIETARY AND CONFIDENTIAL THE INFORMATION CONTAINED IN THIS DRAWING IS THE SOLE PROPERTY OF POLYCASE. ANY REPRODUCTION IN PART OR AS A WHOLE WITHOUT THE WRITTEN PERMISSION OF POLYCASE IS PROHIBITED. CAD FILE: VM-24C-PCB</p>		<p>PRODUCT -</p>																				
<p>CLIENT -</p>		<p>SIZE A</p>	<p>TITLE: PCB TEMPLATE</p>		<p>REV -</p>																	
<table border="1"> <thead> <tr> <th>ZONE</th> <th>REV.</th> <th>DESCRIPTION</th> <th>BY</th> <th>APPR'D</th> <th>DATE</th> </tr> </thead> <tbody> <tr> <td colspan="6" style="text-align: center;">REVISIONS</td> </tr> </tbody> </table>		ZONE	REV.	DESCRIPTION	BY	APPR'D	DATE	REVISIONS						<table border="1"> <thead> <tr> <th>NAME</th> <th>DATE</th> </tr> </thead> <tbody> <tr> <td>DRAWN -</td> <td>12/31/2999</td> </tr> <tr> <td>CHECKED -</td> <td>12/31/2999</td> </tr> </tbody> </table>	NAME	DATE	DRAWN -	12/31/2999	CHECKED -	12/31/2999	<p>SCALE: 1:1</p>	<p>SHEET 1 OF 1</p>
ZONE	REV.	DESCRIPTION	BY	APPR'D	DATE																	
REVISIONS																						
NAME	DATE																					
DRAWN -	12/31/2999																					
CHECKED -	12/31/2999																					

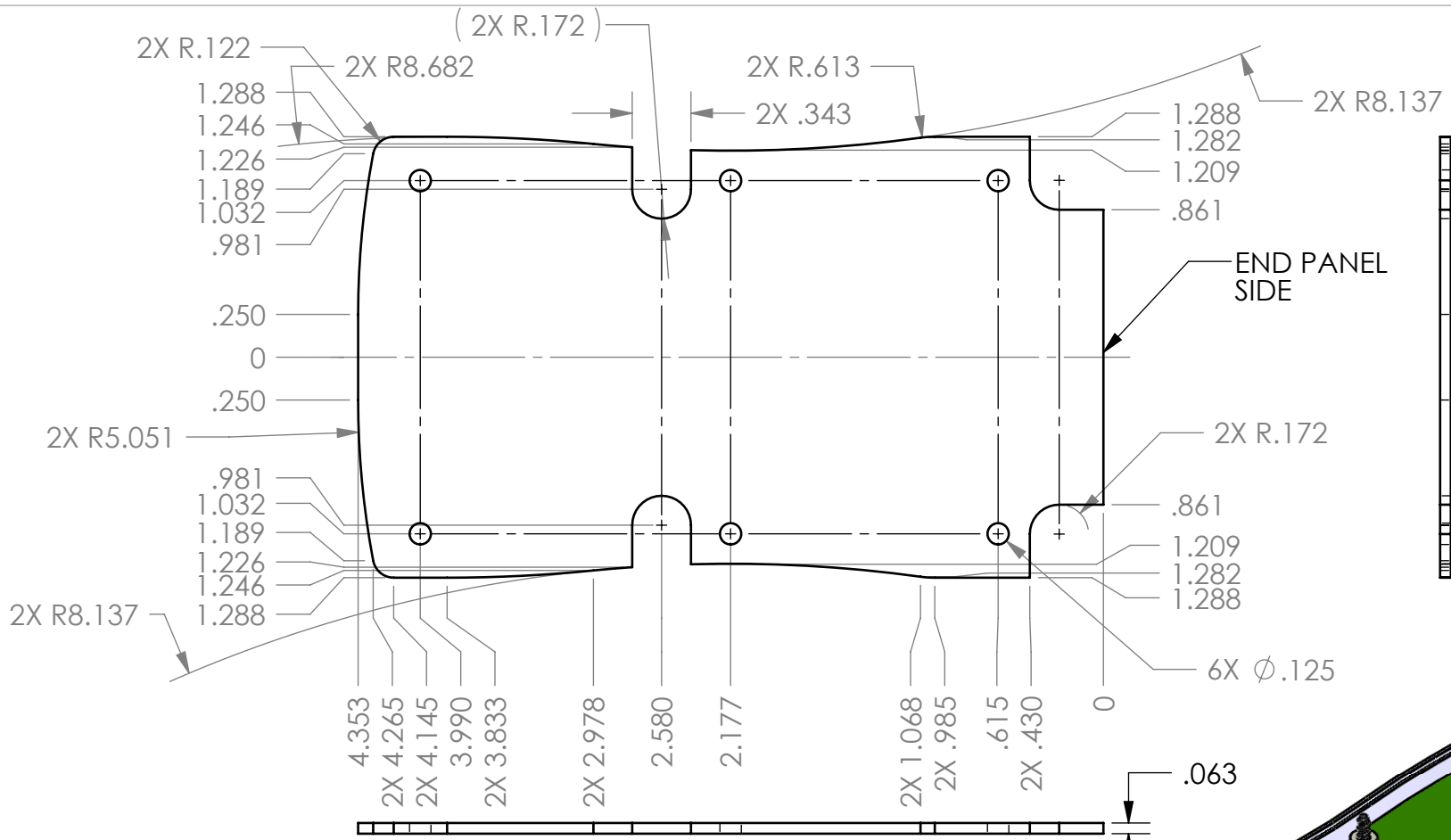
5

4

3

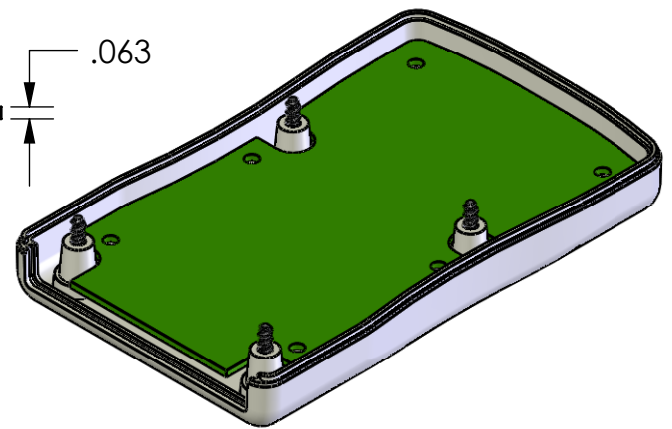
2

1



NOTES:

1. PCB SIZES INCLUDE .03 CLEARANCE FROM INNER WALLS AND SCREW TOWERS WHEN UTILIZING THE MOUNTING BOSSES FOUND ON THE VM-24 BASE **WITHOUT** BATTERY COMPARTMENT.
2. PCB BOSSES WILL ACCEPT A #4 X 1/4 THREAD FORMING SCREW WHEN USED WITH A 1/16" THICK PCB. (SCREWS ARE AVAILABLE FROM POLYCASE)



<p>UNLESS OTHERWISE SPECIFIED: DIMENSIONS ARE IN: INCHES[mm] TOLERANCES: ANGULAR: ±2° TWO PLACE DECIMAL: ±.010 THREE PLACE DECIMAL: ±.005</p>	<p>PART NO. VM-24BMB-PCB</p>		<p>POLYCASE™ YOUR PERFECT FIT 1305 CHESTER IND. PARKWAY AVON, OHIO 44011-1083 U.S.A. PH#: 1-800-248-1233, 440-934-0444 FAX#: 440-934-0088</p>	<p>SIZE A</p>	<p>TITLE: Secondary Operations Drawing</p>	<p>REV -</p>
	<p>PRODUCT -</p>					
<p>PROPRIETARY AND CONFIDENTIAL THE INFORMATION CONTAINED IN THIS DRAWING IS THE SOLE PROPERTY OF POLYCASE. ANY REPRODUCTION IN PART OR AS A WHOLE WITHOUT THE WRITTEN PERMISSION OF POLYCASE IS PROHIBITED. CAD FILE: VM-24BMB-PCB</p>	<p>CLIENT -</p>		<p>SCALE: 1:1</p>			<p>SHEET 1 OF 1</p>
	<p>DRAWN D.M.F.</p>	<p>NAME B.M.B.</p>	<p>DATE 9/3/08</p>	<p>DATE 9/5/08</p>		

REV.	ZONE	DESCRIPTION	BY	APPR'D	DATE
REVISIONS					

5

4

3

2

1

Infra-red readings for 0.100" thick panel

