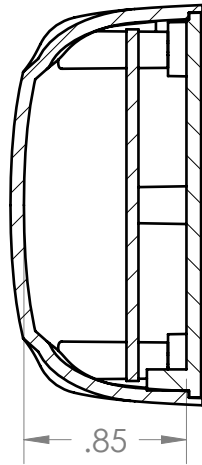
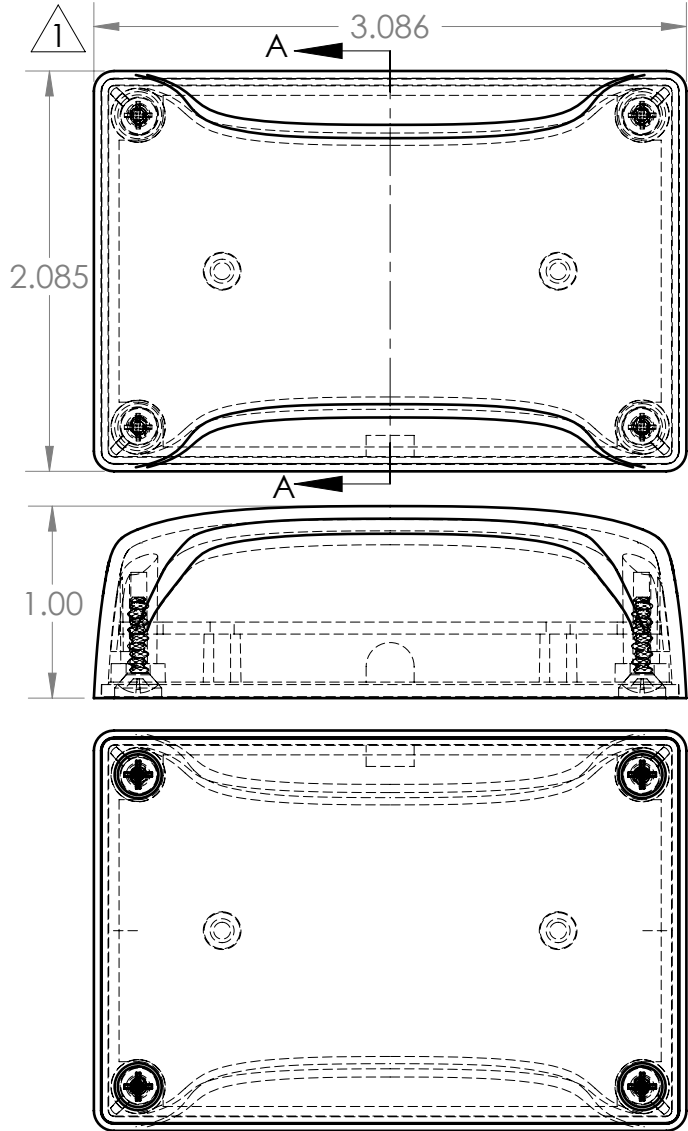


BOM Table					
ITEM NO.	PART NUMBER	DESCRIPTION	NX-2310PMB/QTY. NX-2310PXX/QTY.		
1	GS-2310BP	CASE, BLACK	1	1	
2	TS-2300C-MB	COVER, WITH MOUNTING BOSSES, BLACK	1	-	
3	TS-2300C	COVER, WITHOUT MOUNTING BOSSES, BLACK	-	1	
4	SCREWS-LP-BR	THREAD FORMING ASS'Y SCREW: .5 INCH	4	4	

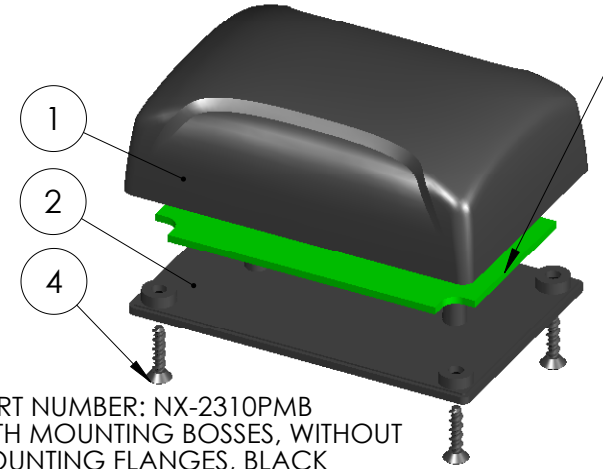


SECTION A-A

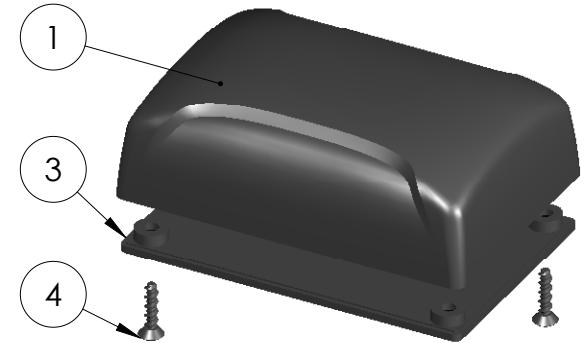
NOTES:

1. PC BOARD BOSSES WILL ACCEPT A 4-1/4 THREAD FORMING SCREW (SCREWS AVAILABLE FROM POLYCASE)
2. COVER OPTIONS: WITH OR WITHOUT MOUNTING BOSSES
3. AVAILABLE COLORS: BLACK


1 NX-2310PMB-PCB: RECOMMENDED PCB (REF. ONLY)



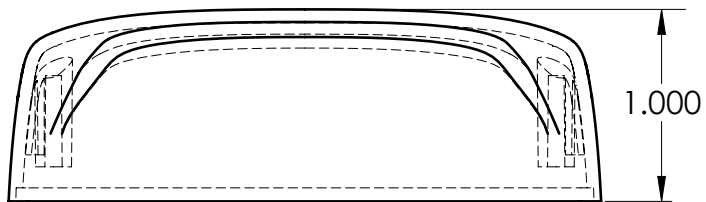
PART NUMBER: NX-2310PMB
WITH MOUNTING BOSSES, WITHOUT
MOUNTING FLANGES, BLACK



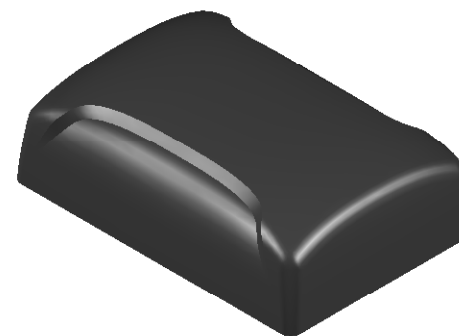
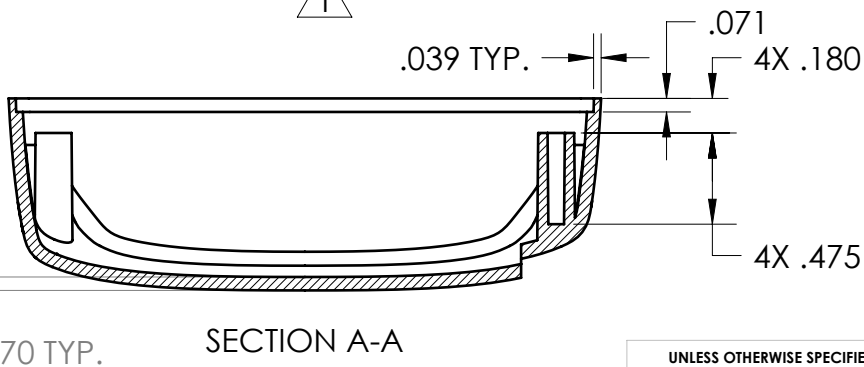
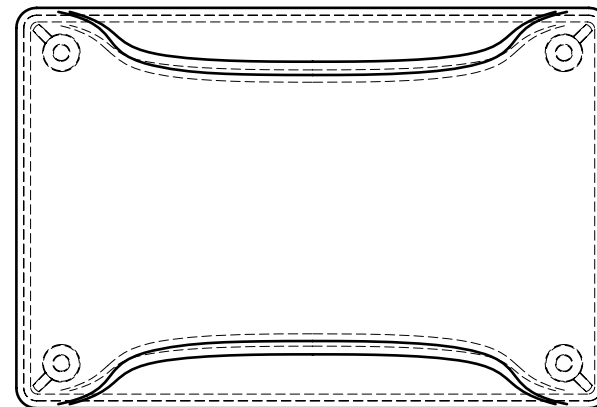
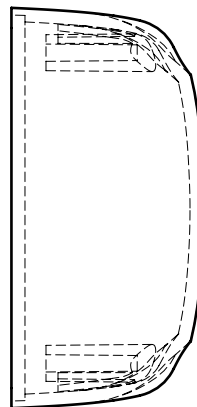
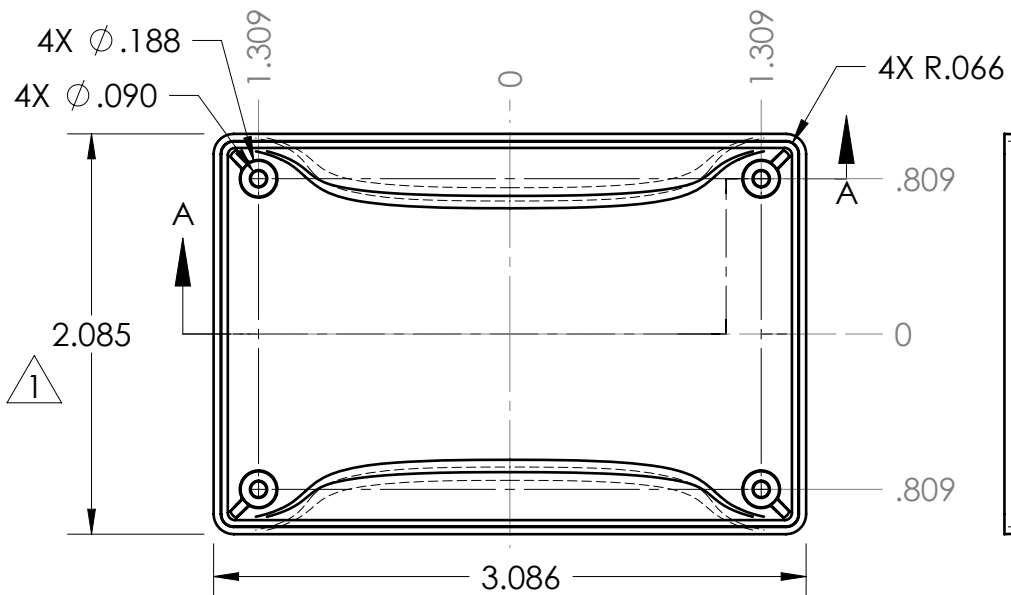
PART NUMBER: NX-2310PXX
WITHOUT MOUNTING
BOSSES, WITHOUT
MOUNTING FLANGES, BLACK

UNLESS OTHERWISE SPECIFIED: DIMENSIONS ARE IN: INCHES[mm] TOLERANCES: ANGULAR: ±2° TWO PLACE DECIMAL: ±.03 THREE PLACE DECIMAL: ±.015	PART NO. NX-2310 ASSEMBLY		 POLYCASE™ YOUR PERFECT FIT 1305 CHESTER IND. PARKWAY AVON, OHIO 44011-1083 U.S.A. PH#: 1-800-248-1233, 440-934-0444 FAX#: 440-934-0088
	PRODUCT -		
PROPRIETARY AND CONFIDENTIAL THE INFORMATION CONTAINED IN THIS DRAWING IS THE SOLE PROPERTY OF POLYCASE. ANY REPRODUCTION IN PART OR AS A WHOLE WITHOUT THE WRITTEN PERMISSION OF POLYCASE IS PROHIBITED. CAD FILE: NX-2310 ASSEMBLY	CLIENT -		SIZE A
	NAME D.M.F.	DATE 1/15/2009	TITLE: Product Detail Drawing
DRAWN CHECKED	B.M.B.	1/20/2009	REV 1
SCALE: 1:1		SHEET 1 OF 1	

REV.	DESCRIPTION	ZONE	BY	APPR'D	DATE
1	ADDED NX-2310PMB-PCB RECOM'D PCB 3.086 WAS 3.081 2.085 WAS 2.080	D1 D5 C5	D.M.F.	B.M.B.	3/11/2009



NOTES:
1.



UNLESS OTHERWISE SPECIFIED:
DIMENSIONS ARE IN: INCHES [mm]
TOLERANCES: ANGULAR: ±2°
TWO PLACE DECIMAL: ±.010
THREE PLACE DECIMAL: ±.005

PROPRIETARY AND CONFIDENTIAL
THE INFORMATION CONTAINED IN THIS
DRAWING IS THE SOLE PROPERTY OF
POLYCASE. ANY REPRODUCTION IN PART
OR AS A WHOLE WITHOUT THE WRITTEN
PERMISSION OF POLYCASE IS PROHIBITED.
CAD FILE: GS-2310B

PART NO.
GS-2310BP
PRODUCT
-

CLIENT
-

DRAWN	NAME	DATE
CHECKED	D.M.F.	1/15/2009
	B.M.B.	1/20/2009

POLYCASE™
YOUR PERFECT FIT
1305 CHESTER IND. PARKWAY AVON, OHIO 44011-1083 U.S.A.
PH#: 1-800-248-1233, 440-934-0444 FAX#: 440-934-0088

SIZE
A

TITLE:
Product Detail Drawing

REV
1

SCALE: 1:1

SHEET 1 OF 1

REV.	DESCRIPTION	ZONE	BY	APPR'D	DATE
1	3.086 WAS 3.081 2.085 WAS 2.080	B4 C5	D.M.F.		3/23/2009

REVISIONS

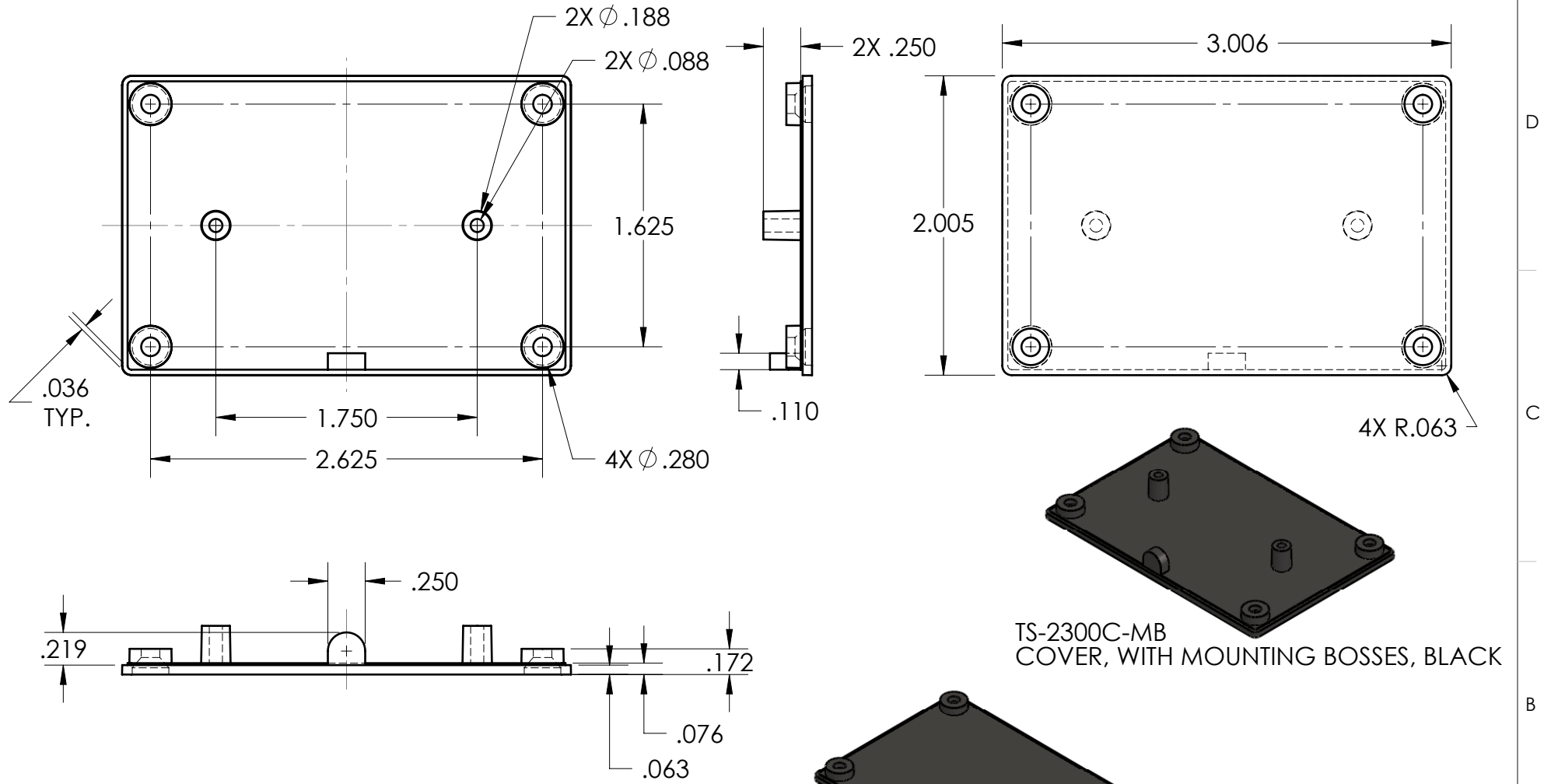
5

4

3

2

1



TS-2300C-MB
COVER, WITH MOUNTING BOSSES, BLACK

TS-2300C
COVER, WITHOUT MOUNTING BOSSES, BLACK

- NOTES:
1. PC BOARD BOSSES WILL ACCEPT A 4-1/4 THREAD FORMING SCREW (SCREWS AVAILABLE FROM POLYCASE)

UNLESS OTHERWISE SPECIFIED:
DIMENSIONS ARE IN: INCHES [mm]
TOLERANCES: ANGULAR: $\pm 2^\circ$
TWO PLACE DECIMAL: $\pm .03$
THREE PLACE DECIMAL: $\pm .015$
PRINTED GRAPHICS: $\pm .010$

PROPRIETARY AND CONFIDENTIAL
THE INFORMATION CONTAINED IN THIS
DRAWING IS THE SOLE PROPERTY OF
POLYCASE. ANY REPRODUCTION IN PART
OR AS A WHOLE WITHOUT THE WRITTEN
PERMISSION OF POLYCASE IS PROHIBITED.
CAD FILE: TS-2300C

PART NO.
TS-2300C
PRODUCT

CLIENT

	NAME	DATE
DRAWN	D.M.F.	3/23/2009
CHECKED	B.M.B.	3/24/2009

POLYCASE™
YOUR PERFECT FIT
1305 CHESTER IND. PARKWAY AVON, OHIO 44011-1083 U.S.A.
PH#: 1-800-248-1233, 440-934-0444 FAX#: 440-934-0088

SIZE
A

TITLE:
Product Detail Drawing

REV
-

SCALE: 1:1



SHEET 1 OF 1

ZONE	REV.	DESCRIPTION	BY	APPR'D	DATE
REVISIONS					

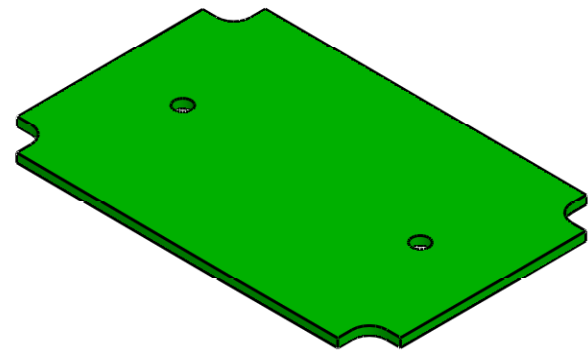
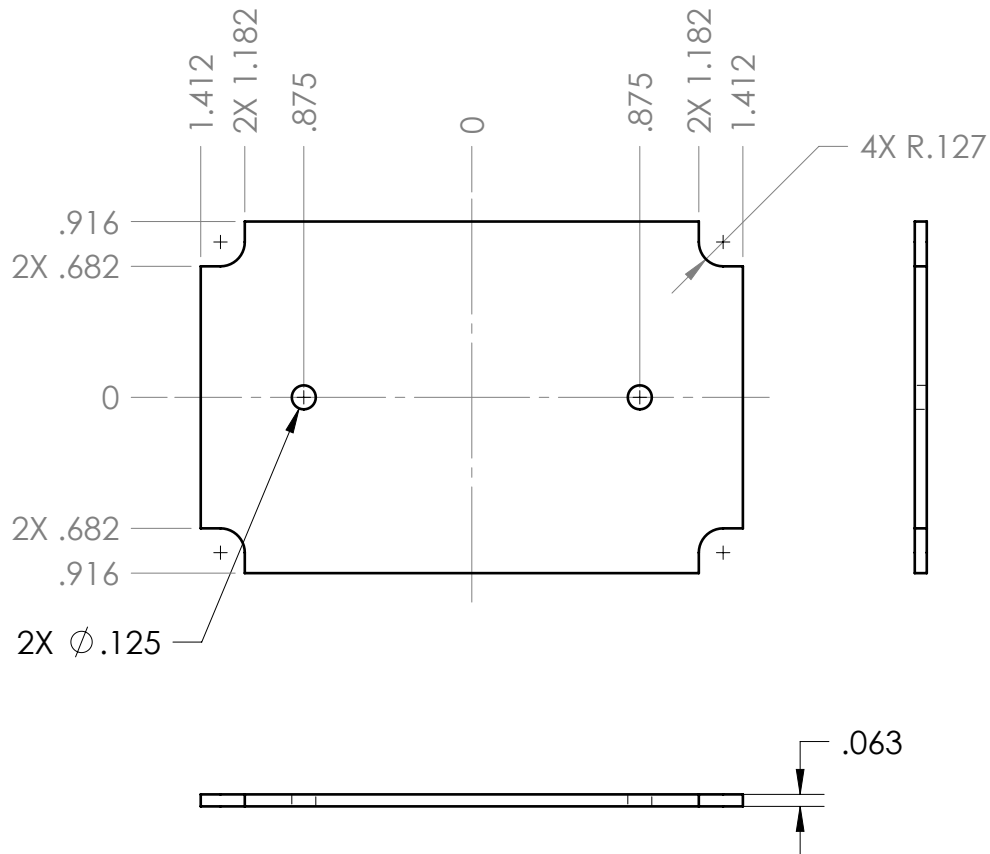
5

4

3


2

1



NOTES:

1. INCLUDES .031 CLEARANCE BETWEEN INSIDE WALLS AND SCREW TOWERS.

UNLESS OTHERWISE SPECIFIED: DIMENSIONS ARE IN: INCHES[mm] TOLERANCES: ANGULAR: ±2° TWO PLACE DECIMAL: ±.010 THREE PLACE DECIMAL: ±.005 PRINTED GRAPHICS: ±.010			PART NO. NX-2310PMB-PCB		 POLYCASE™ YOUR PERFECT FIT 1305 CHESTER IND. PARKWAY AVON, OHIO 44011-1083 U.S.A. PH#: 1-800-248-1233, 440-934-0444 FAX#: 440-934-0088
PROPRIETARY AND CONFIDENTIAL THE INFORMATION CONTAINED IN THIS DRAWING IS THE SOLE PROPERTY OF POLYCASE. ANY REPRODUCTION IN PART OR AS A WHOLE WITHOUT THE WRITTEN PERMISSION OF POLYCASE IS PROHIBITED. CAD FILE: NX-2310PMB-PCB			PRODUCT -		
CLIENT -			SIZE A	TITLE: PCB Drawing	
DRAWN D.M.F. 3/12/2009			DATE 3/24/2009	REV -	
CHECKED B.M.B.			SCALE: 1:1	SHEET 1 OF 1	

ZONE	REV.	DESCRIPTION	BY	APPR'D	DATE
REVISIONS					

5

4

3

2

1