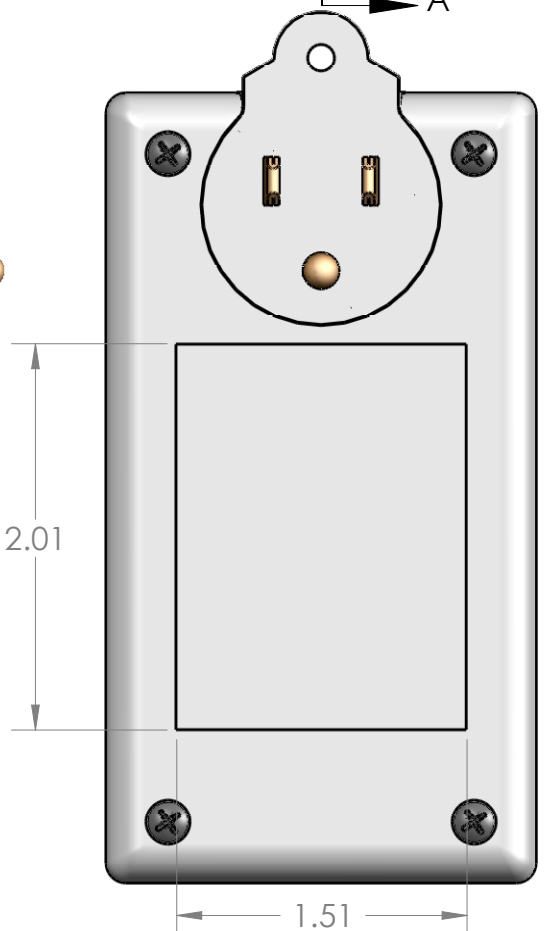
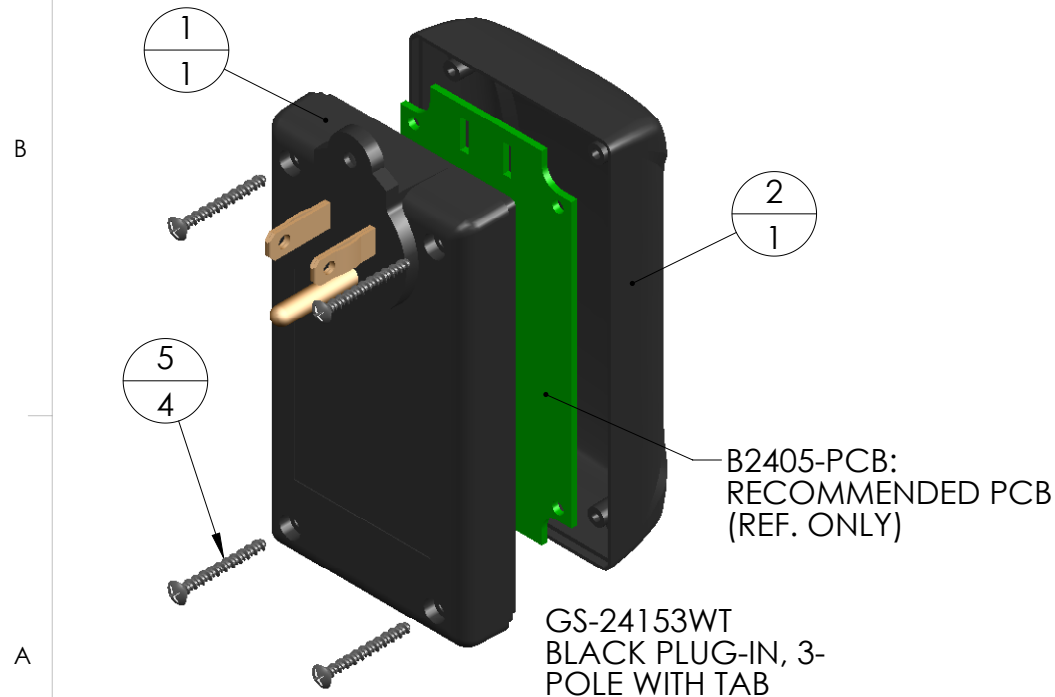
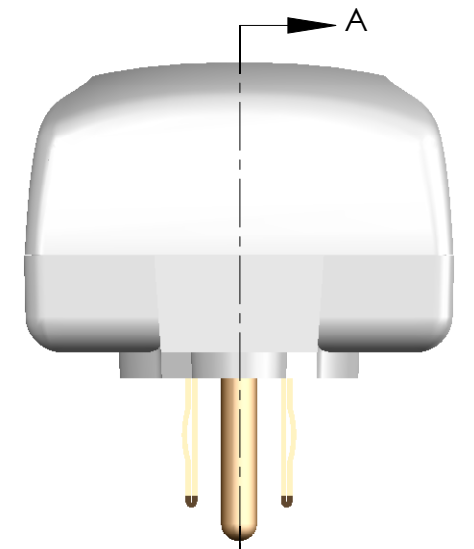
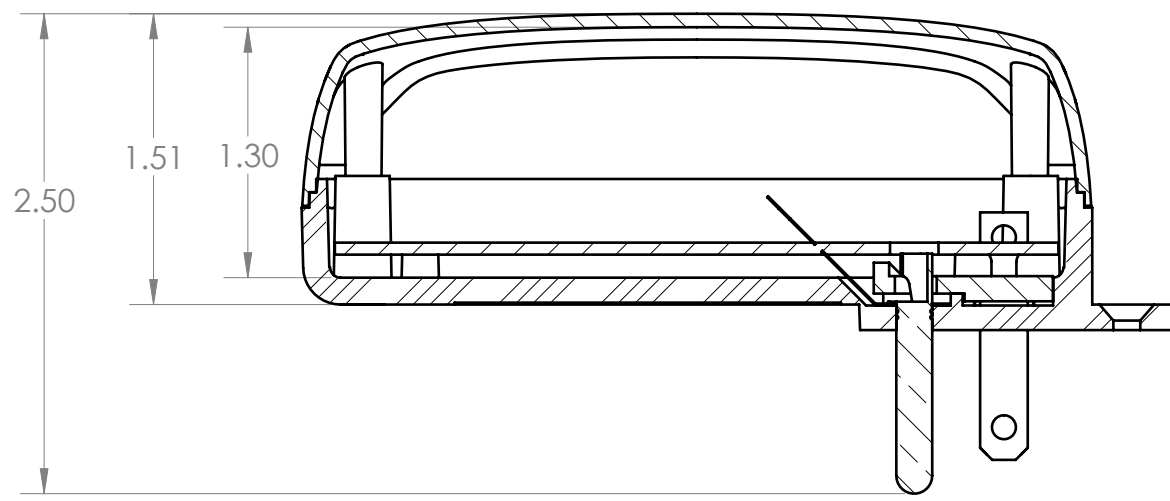
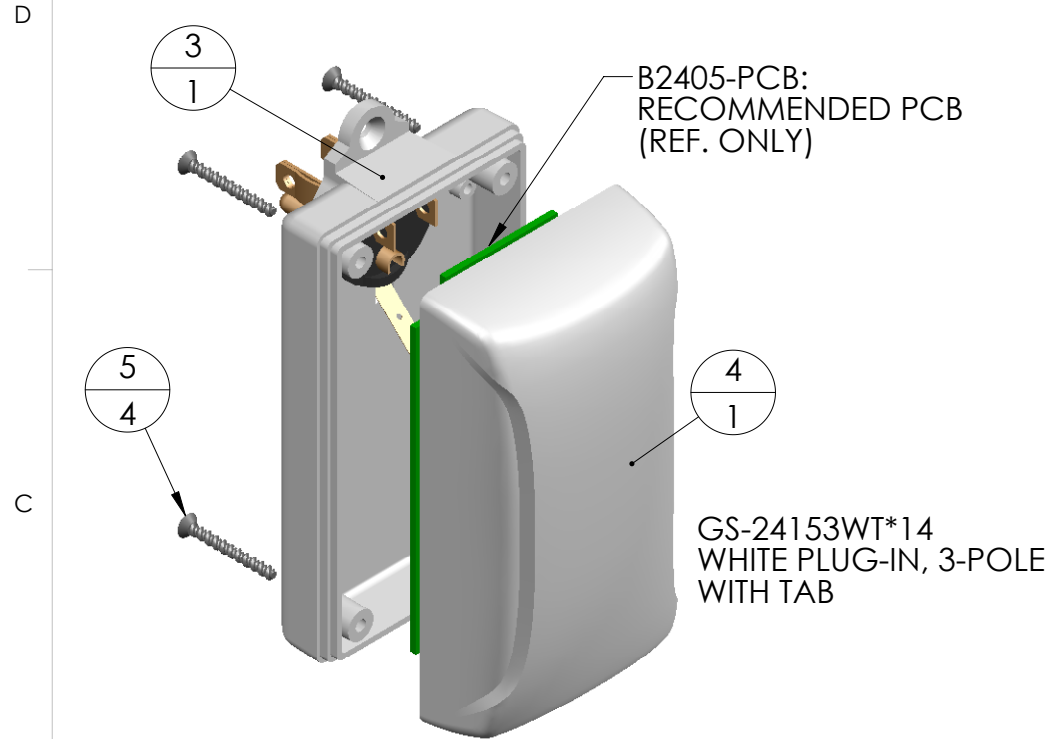


ITEM NO.	PART NUMBER	DESCRIPTION	GS-24153WT/QTY.	GS-24153WT*14/QTY.
1	B24053XWT	BLACK PLUG-IN BASE; 3-POLE WITH TAB	1	-
2	GS-2410BP	CASE, BLACK	1	-
3	B24053XWT*14	WHITE PLUG-IN BASE; 3-POLE WITH TAB	-	1
4	GS-2410BP*14	CASE, WHITE	-	1
5	SCREWS-HL1-BR	THREAD FORMING ASS'Y SCREW: 1.00 INCH	4	4



NOTES:  
1.

UNLESS OTHERWISE SPECIFIED:  
DIMENSIONS ARE IN: INCHES [mm]  
TOLERANCES: ANGULAR: ±2°  
TWO PLACE DECIMAL: ±.010  
THREE PLACE DECIMAL: ±.005  
PRINTED GRAPHICS: ±.010

PROPRIETARY AND CONFIDENTIAL  
THE INFORMATION CONTAINED IN THIS  
DRAWING IS THE SOLE PROPERTY OF  
POLYCASE. ANY REPRODUCTION IN PART  
OR AS A WHOLE WITHOUT THE WRITTEN  
PERMISSION OF POLYCASE IS PROHIBITED.  
CAD FILE: GS-2415 ASS'Y

PART NO.  
GS-2415 ASS'Y  
PRODUCT

CLIENT  
-

DRAWN  
D.M.F.

CHECKED  
-

NAME  
D.M.F.

DATE  
3/9/2009  
12/31/2999

**POLYCASE™**  
YOUR PERFECT FIT  
1305 CHESTER IND. PARKWAY AVON, OHIO 44011-1083 U.S.A.  
PH#: 1-800-248-1233, 440-934-0444 FAX#: 440-934-0088

SIZE  
**B**

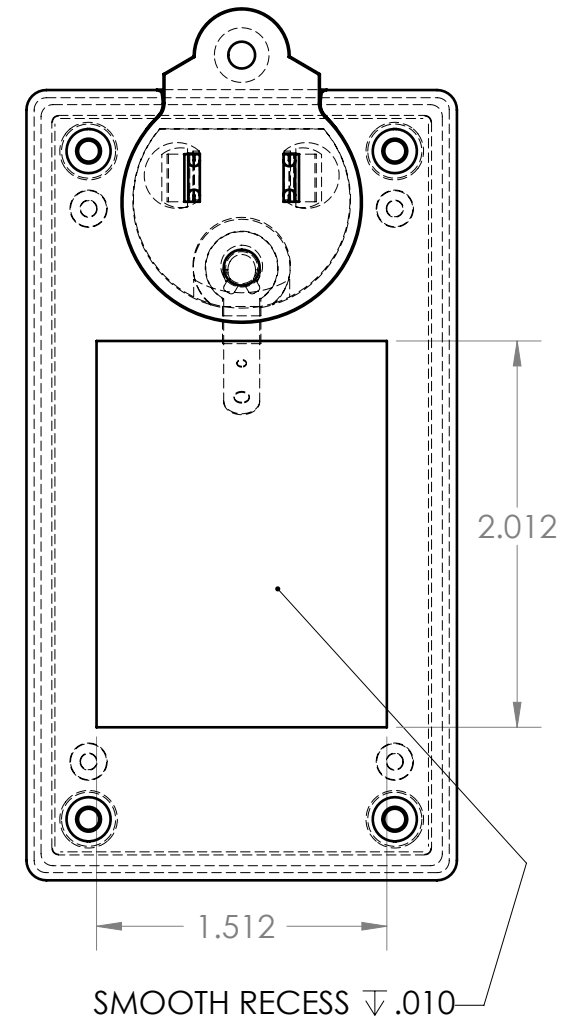
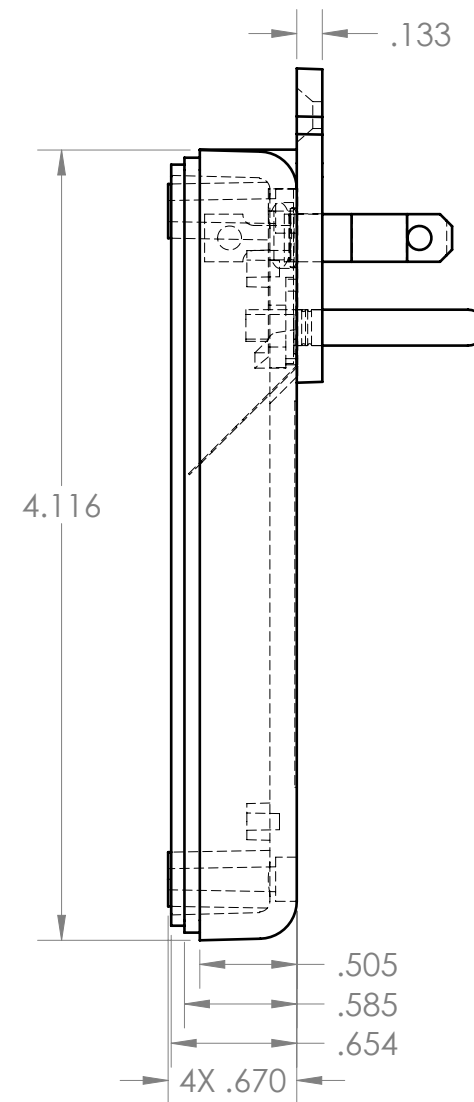
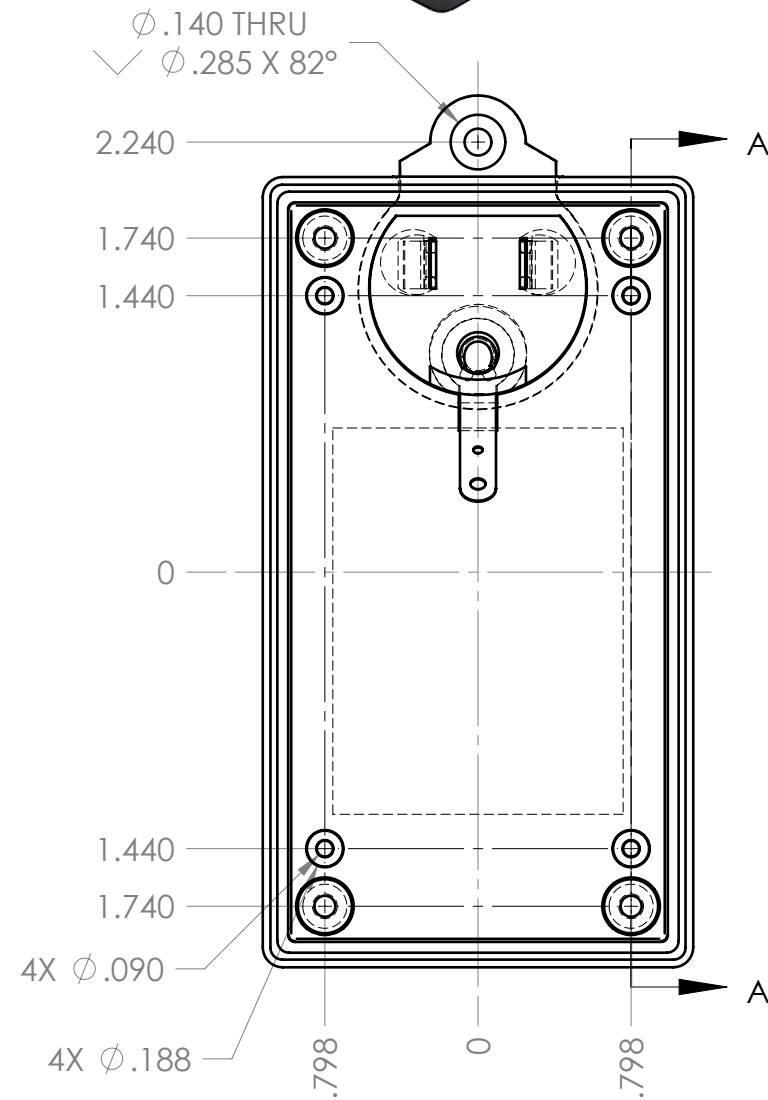
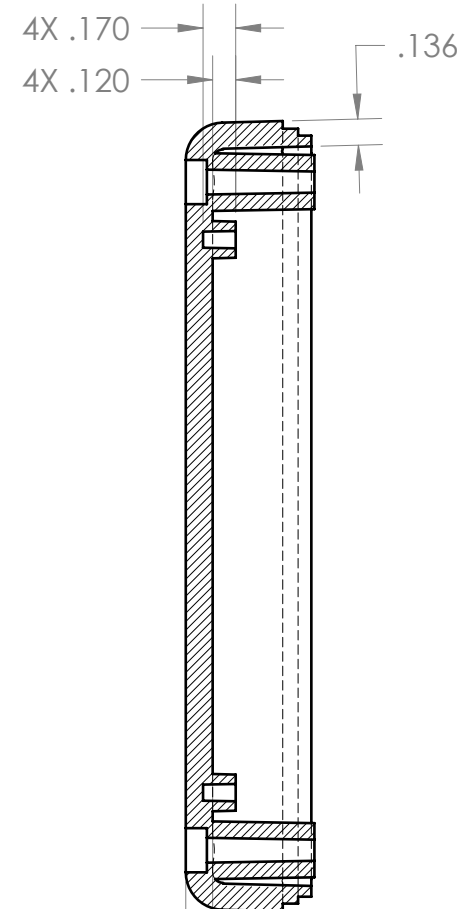
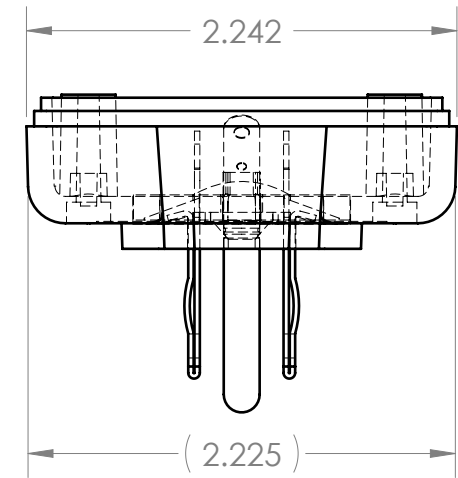
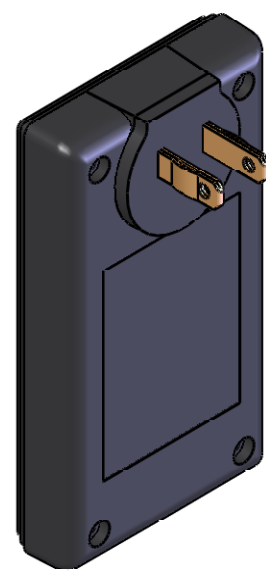
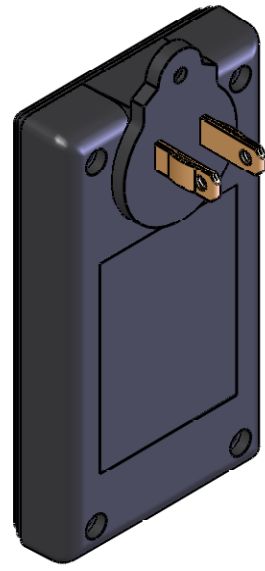
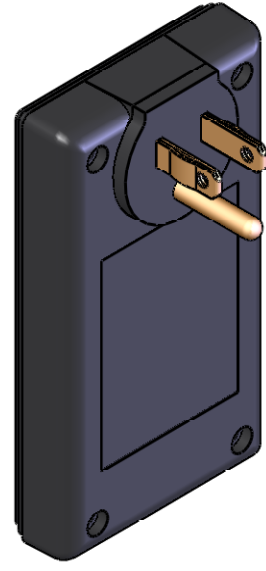
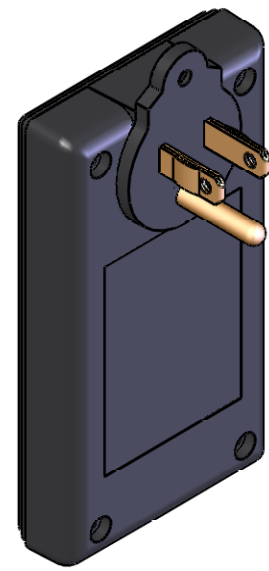
TITLE:  
PRODUCT ASSEMBLY  
DRAWING

REV  
-

SCALE: 1:1

SHEET 1 OF 1

REV.	DESCRIPTION	ZONE	BY	APPR'D	DATE
REVISIONS					



NOTES:  
1.

UNLESS OTHERWISE SPECIFIED:  
DIMENSIONS ARE IN: INCHES [mm]  
TOLERANCES: ANGULAR:  $\pm 2^\circ$   
TWO PLACE DECIMAL:  $\pm .010$   
THREE PLACE DECIMAL:  $\pm .005$   
PRINTED GRAPHICS:  $\pm .010$   
PROPRIETARY AND CONFIDENTIAL  
THE INFORMATION CONTAINED IN THIS  
DRAWING IS THE SOLE PROPERTY OF  
POLYCASE. ANY REPRODUCTION IN PART  
OR AS A WHOLE WITHOUT THE WRITTEN  
PERMISSION OF POLYCASE IS PROHIBITED.  
CAD FILE: B2405 ASS'Y

PART NO.  
B2405 ASS'Y  
PRODUCT

CLIENT

	NAME	DATE
DRAWN	D.M.F.	3/10/2009
CHECKED	-	12/31/2999



SIZE  
**B**

TITLE:  
PRODUCT ASSEMBLY  
DRAWING

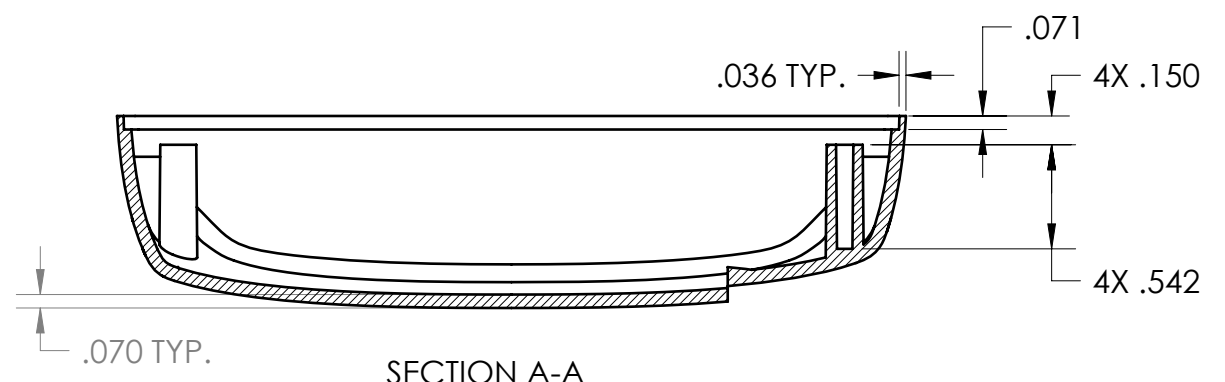
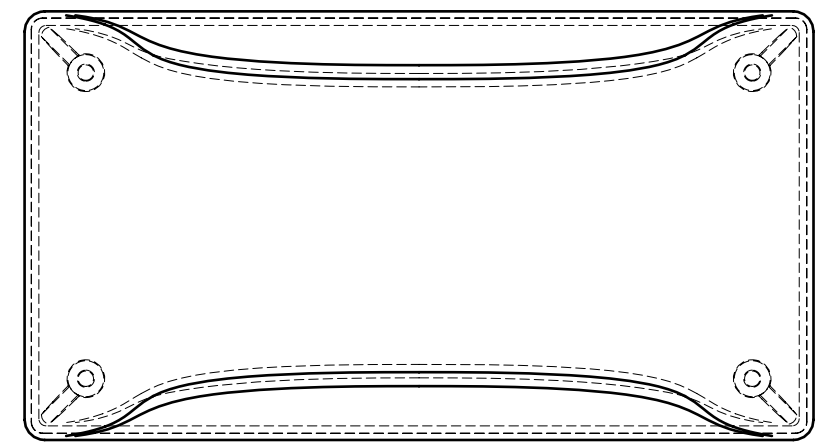
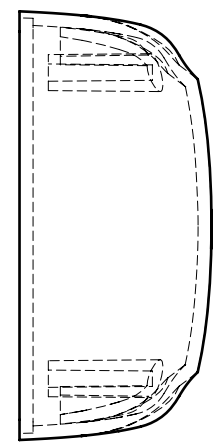
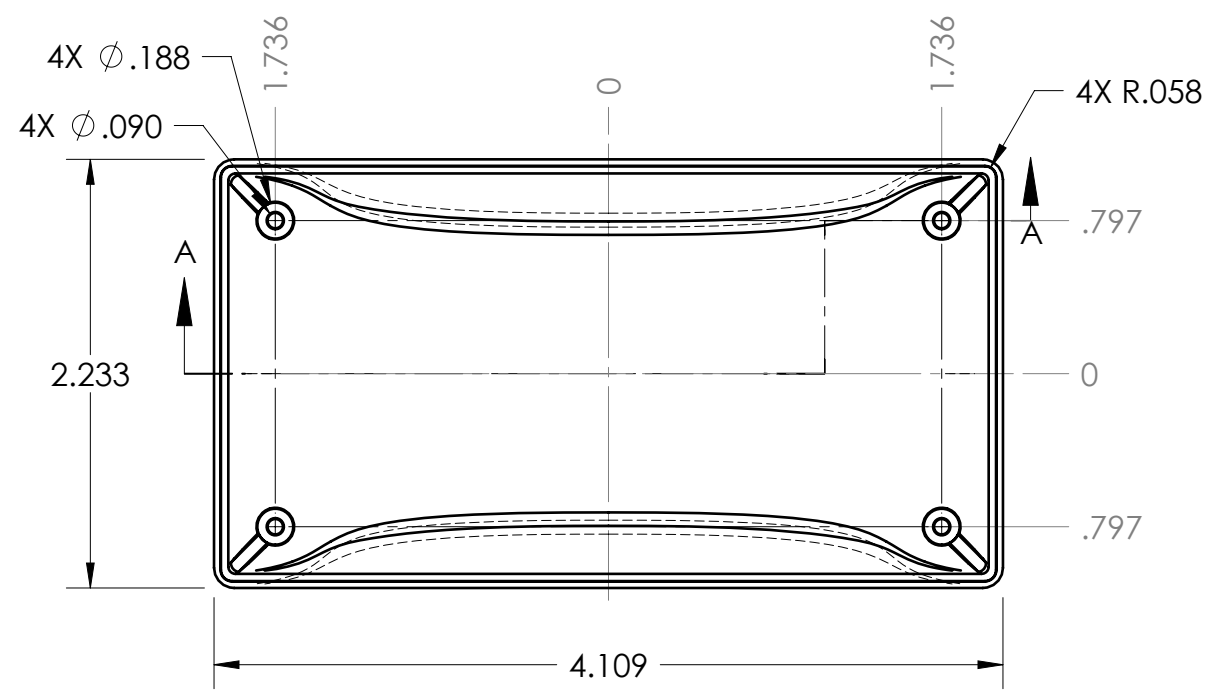
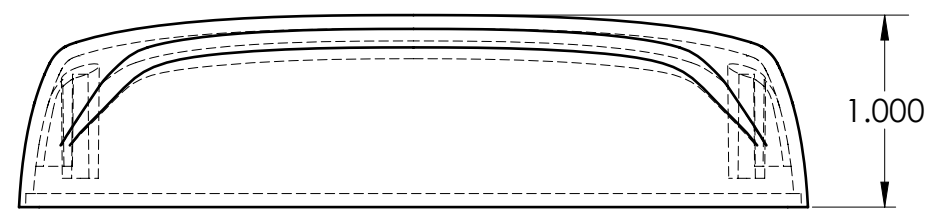
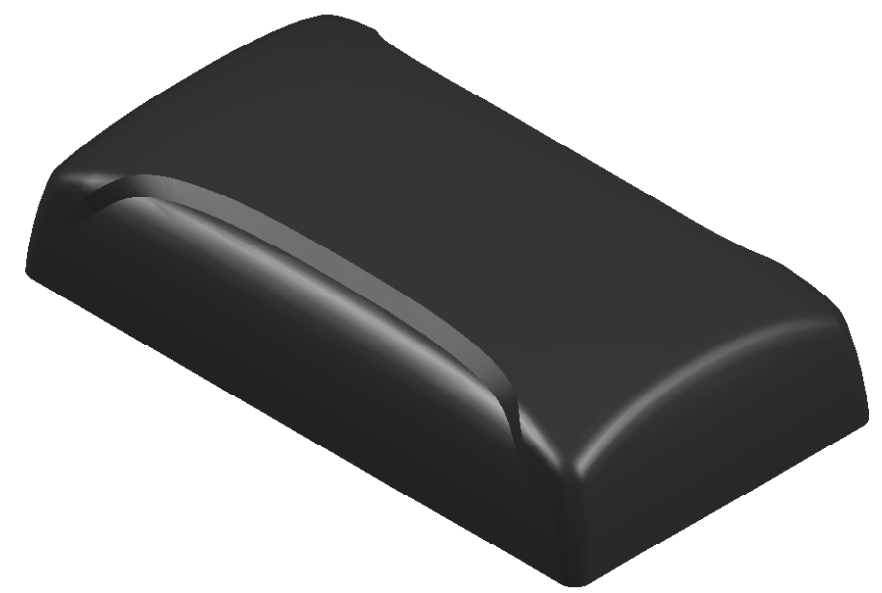
REV  
-

SCALE: 1:1



SHEET 2 OF 2

8 7 6 5 4 3 2 1



SECTION A-A

UNLESS OTHERWISE SPECIFIED:  
DIMENSIONS ARE IN: INCHES[mm]  
TOLERANCES: ANGULAR: ±2°  
TWO PLACE DECIMAL: ±.03  
THREE PLACE DECIMAL: ±.015

PROPRIETARY AND CONFIDENTIAL  
THE INFORMATION CONTAINED IN THIS  
DRAWING IS THE SOLE PROPERTY OF  
POLYCASE. ANY REPRODUCTION IN PART  
OR AS A WHOLE WITHOUT THE WRITTEN  
PERMISSION OF POLYCASE IS PROHIBITED.  
CAD FILE: GS-2410B

PART NO.  
GS-2410BP  
PRODUCT

CLIENT

	NAME	DATE
DRAWN	D.M.F.	1/15/2009
CHECKED	B.M.B.	1/20/2009



SIZE  
**B**

TITLE:  
Product Detail Drawing

REV  
**1**

SCALE: 1:1



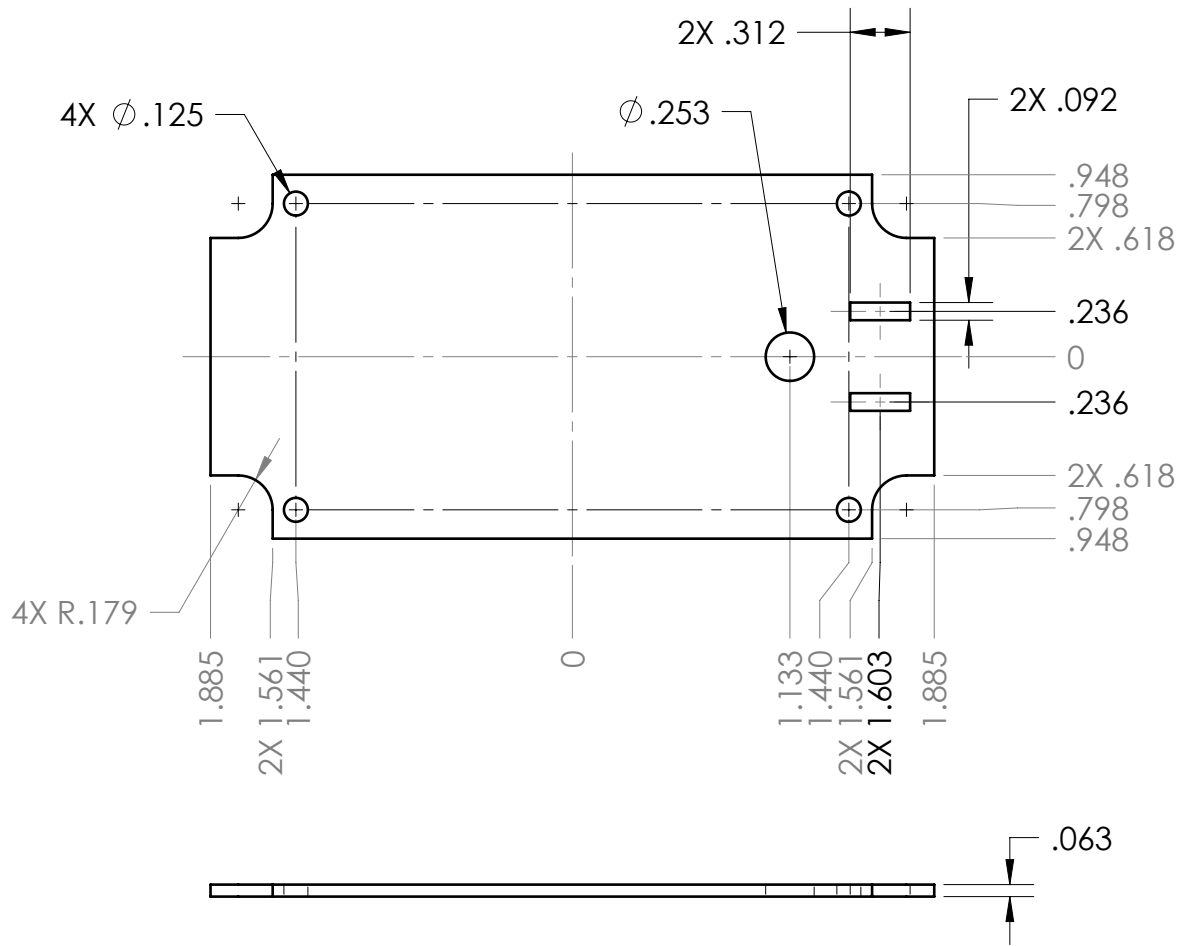
SHEET 1 OF 1

REV.	DESCRIPTION	ZONE	BY	APPR'D	DATE
1	INITIAL RELEASE, UPDATED TOLERANCES IN TITLE BLOCK		D.M.F.	B.M.B.	3/23/2009
REVISIONS					

8 7 6 5 4 3 2 1



D  
C  
B  
A

D  
C  
B  
A



NOTES:

1. INCLUDES .031 CLEARANCE WITH INSIDE WALLS, BLADES, GROUND PIN, AND SCREW TOWERS.
2. AN OPTIONAL METHOD OF CONNECTING PCB TO BLADES AND GROUND PIN IS TO DECREASE THE CLEARANCE AROUND THE BLADES AND GROUND PIN AND SOLDER THEM DIRECTLY TO THE PCB.

UNLESS OTHERWISE SPECIFIED: DIMENSIONS ARE IN: INCHES[mm] TOLERANCES: ANGULAR: ±2° TWO PLACE DECIMAL: ±.010 THREE PLACE DECIMAL: ±.005 PRINTED GRAPHICS: ±.010			PART NO. B2405-PCB		 <b>POLYCASE™</b> <b>YOUR PERFECT FIT</b> 1305 CHESTER IND. PARKWAY AVON, OHIO 44011-1083 U.S.A. PH#: 1-800-248-1233, 440-934-0444 FAX#: 440-934-0088
PROPRIETARY AND CONFIDENTIAL THE INFORMATION CONTAINED IN THIS DRAWING IS THE SOLE PROPERTY OF POLYCASE. ANY REPRODUCTION IN PART OR AS A WHOLE WITHOUT THE WRITTEN PERMISSION OF POLYCASE IS PROHIBITED. CAD FILE: B2405-PCB			PRODUCT -		
CLIENT -			SIZE <b>A</b>	TITLE: PCB Drawing	
DRAWN D.M.F. 3/11/2009			NAME B.M.B.	DATE 3/25/2009	REV -
SCALE: 1:1					SHEET 1 OF 1

ZONE	REV.	DESCRIPTION	BY	APPR'D	DATE
REVISIONS					

5

4

3

2

1