

NOTES:
1.) PC BOARD BOSES WILL ACCEPT A #4X1/4" THREAD FORMING SCREW (SCREWS AVAILABLE FROM POLYCASE)
2.) SUGGESTED LCD DISPLAYS CRFYSTAL FONTZ: CFAH1602B-NYA-JP CFAH1601A-NYA-JP
WWW.CRYSTALFONTZ.COM

LUMEX: LCM-X 01602DXX
(X DENOTES VARIOUS OPTIONS. REFER TO WEB SITE)
(VERSION W/BACKLIGHT IS TOO TALL, USE NON-BACKLIGHT VERSION ONLY)
WWW.LUMEX.COM

DCI INCORPORATED: DCI1622
WWW.DCIINCORPORATED.COM

| REV | DESCRIPTION | DATE |
|-----|-------------|------|
| | | |
| | | |
| | | |
| | | |

POLYCASE
YOUR PERFECT FIT

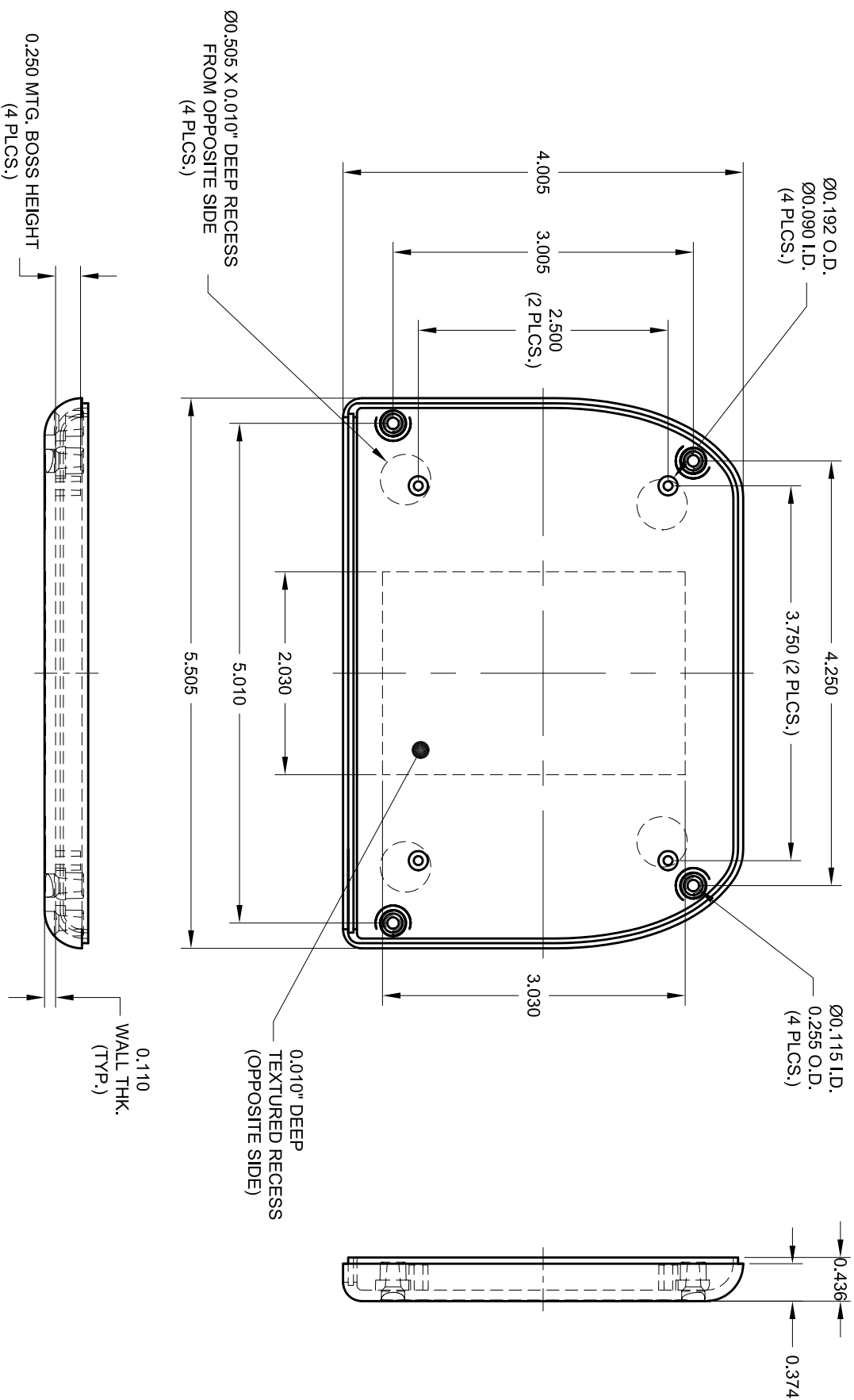
1305 CHESTER IND. PARKWAY
AVON, OHIO 44011-1083 U.S.A.
PH#: 1-800-248-1233, 440-934-0444
FAX#: 440-934-0088

TOLERANCES UNLESS OTHERWISE SPECIFIED ARE THE PROPERTY OF POLYCASE AND IT IS NOT TO BE REPRODUCED, COPIED OR USED IN ANY WAY DETRIMENTAL TO THE INTEREST OF POLYCASE

THIS DRAWING AND THE INFORMATION CONTAINED HEREIN ARE THE PROPERTY OF POLYCASE AND IT IS NOT TO BE REPRODUCED, COPIED OR USED IN ANY WAY DETRIMENTAL TO THE INTEREST OF POLYCASE

Page 1 of 1

| | | | |
|-----------|---------|----------|------------------------|
| DRWN BY | APP. BY | SCALE | DATE: |
| B.B. | | FULL | 6/5/02 |
| JOB NO.: | | PRODUCT: | AG-54MBWT |
| CUSTOMER: | | TITLE: | Product Detail Drawing |



NOTES:
 1.) PC BOARD BOSSES WILL ACCEPT A #4X1/4" THREAD FORMING SCREW (SCREWS AVAILABLE FROM POLYCASE)

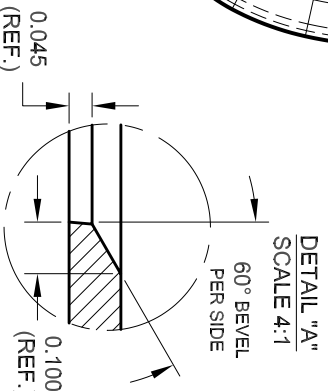
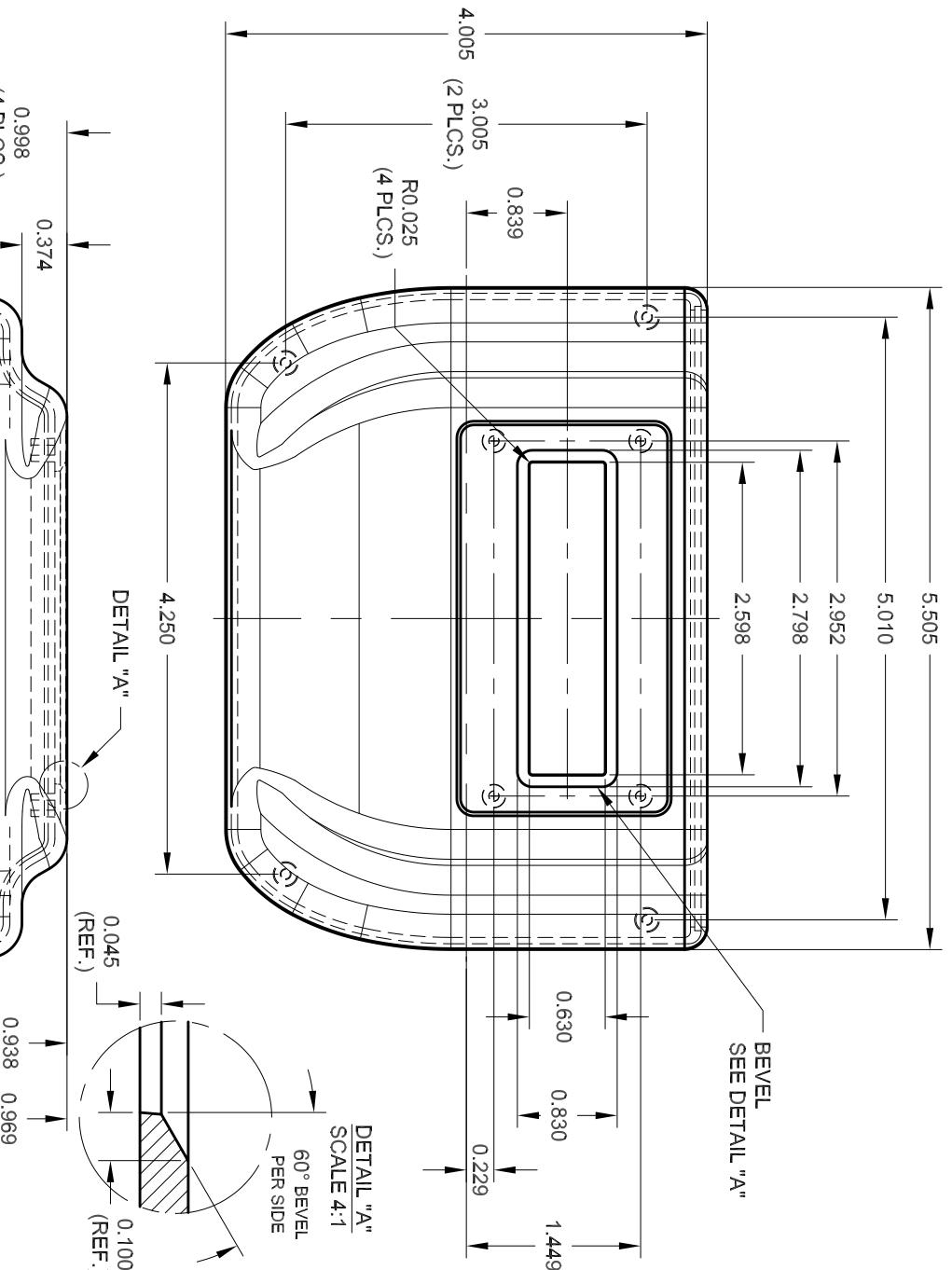
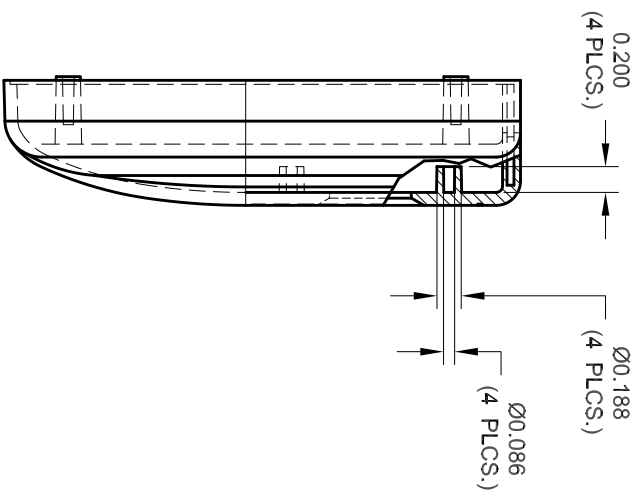
| REV | DESCRIPTION | BY | CHK | DATE |
|-----|-------------|----|-----|------|
| | | | | |
| | | | | |
| | | | | |
| | | | | |

POLYCASE
 YOUR PERFECT FIT

1085 CHESTER RD. PARROY, MN. 55961 USA
 PH: 800.248.1233 440.434.4444 FAX: 440.434.0086

THIS DRAWING AND THE INFORMATION CONTAINED HEREIN IS THE PROPERTY OF POLYCASE AND IT IS NOT TO BE REPRODUCED OR TRANSMITTED IN ANY FORM OR BY ANY MEANS, ELECTRONIC OR MECHANICAL, WITHOUT PERMISSION IN WRITING FROM POLYCASE.

DRAWN BY: B.B. APP. BY: DATE: 6/5/02
 JOB NO.: - SCALE: FULL
 PRODUCT: AG-54B
 CUSTOMER: -
 TITLE: PRODUCT DETAIL DRAWING



NOTES:
 1.) PC BOARD BOSSES WILL ACCEPT A #4X1/4" THREAD FORMING SCREW (SCREWS AVAILABLE FROM POLYCASE)
 2.) SUGGESTED LCD DISPLAYS CFAH1602B-NYA-JP CFAH1601A-NYA-JP
 WWW.CRYSTALFONTZ.COM

LUMEX: LCM-X 01602DXX
 (X DENOTES VARIOUS OPTIONS, REFER TO WEB SITE)
 (VERSION W/BACKLIGHT IS TOO TALL, USE NON-BACKLIGHT VERSION ONLY)
 WWW.LUMEX.COM

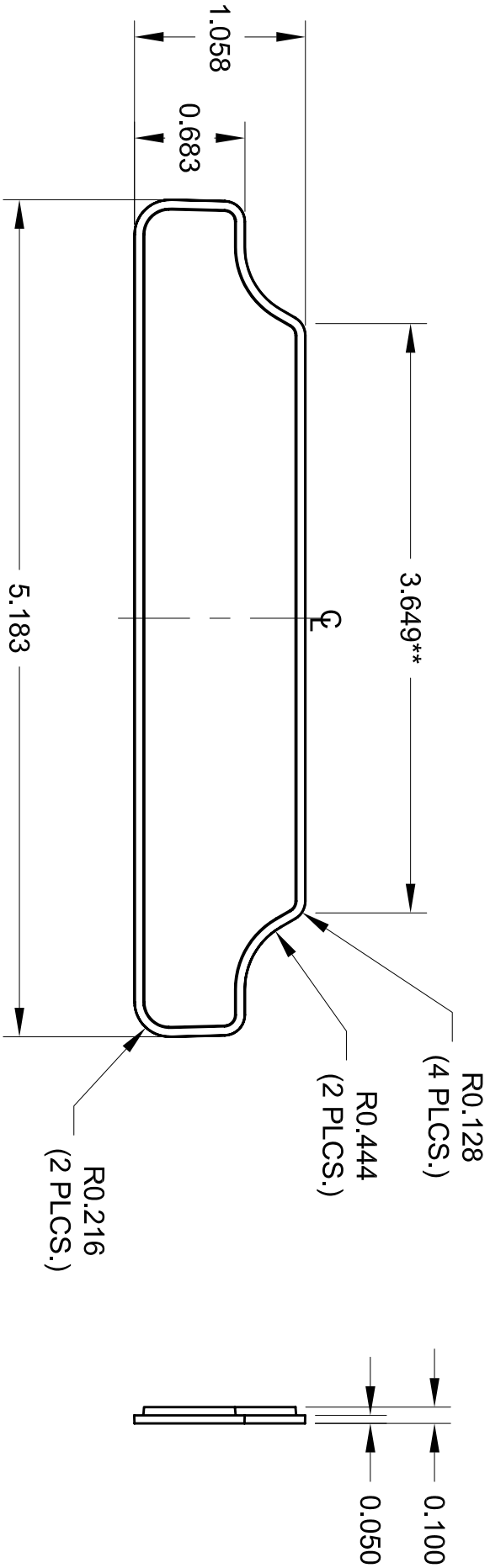
DCI INCORPORATED: DCI1622
 WWW.DCIINCORPORATED.COM

| REV | DESCRIPTION | BY | CHK | DATE | TOLERANCES (UNLESS OTHERWISE SPECIFIED) |
|-----|-------------|----|-----|------|---|
| | | | | | X.XX ±.030 |
| | | | | | X.XXX ±0.015 |

POLYCASE
 YOUR PERFECT FIT

1303 CHESTER RD. PARKWAY AVOU, OHIO 44011 U.S.A.
 PH: 1-800-248-1233 FAX: 440-934-0088
 THIS DRAWING AND THE INFORMATION CONTAINED HEREIN IS THE PROPERTY OF POLYCASE AND IS NOT TO BE REPRODUCED, COPIED OR USED IN ANY MANNER WITHOUT THE WRITTEN PERMISSION OF POLYCASE.

DRWN BY: K.R.
 APP BY: B.B.
 SCALE: FULL
 DATE: 9/12/03
 JOB NO.:
 PRODUCT: AG-54C-1TW
 CUSTOMER:
 TITLE: Product Detail Drawing



NOTES:

1.) ** DIMENSION TO TYPICAL SHARP CORNER

| | | | | |
|-----|-------------|----|-----|------|
| REV | DESCRIPTION | BY | CHK | DATE |
| | | | | |
| | | | | |
| | | | | |
| | | | | |

POLYCASE
YOUR PERFECT FIT

TOLERANCES UNLESS OTHERWISE SPECIFIED
X.XX ±.020
X.XXX ±.010

1305 CHESTER RD. PARKWAY AVON, OHIO 44011 U.S.A.
PH# 1-800-248-1233 440-934-4444 FAX# 440-934-0088

THIS DRAWING AND THE INFORMATION CONTAINED ARE THE PROPERTY OF POLYCASE AND IT IS NOT TO BE REPRODUCED, COPIED OR USED IN ANY WAY DETRIMENTAL TO THE INTEREST OF POLYCASE.

| | | | |
|-------------------------------|---------------------|----------------|-----------------|
| DRWN BY B.B. | APP. BY N.H. | SCALE FULL | DATE: 6/5/02 |
| JOB NO: - | PRODUCT: AG-54EP | CUSTOMER: - | |
| TITLE: PRODUCT DETAIL DRAWING | | | |