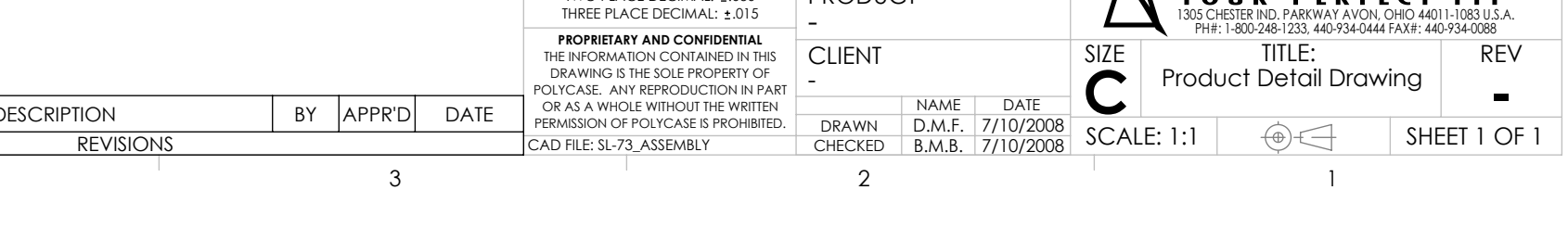
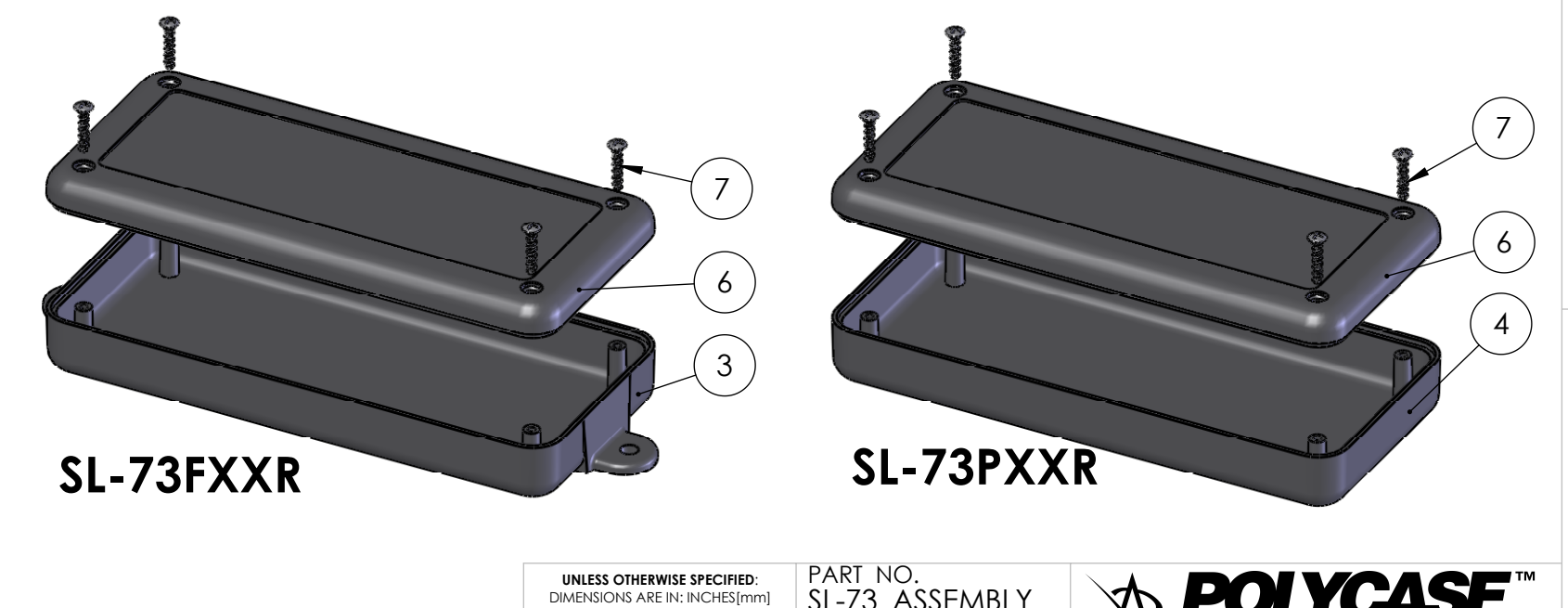
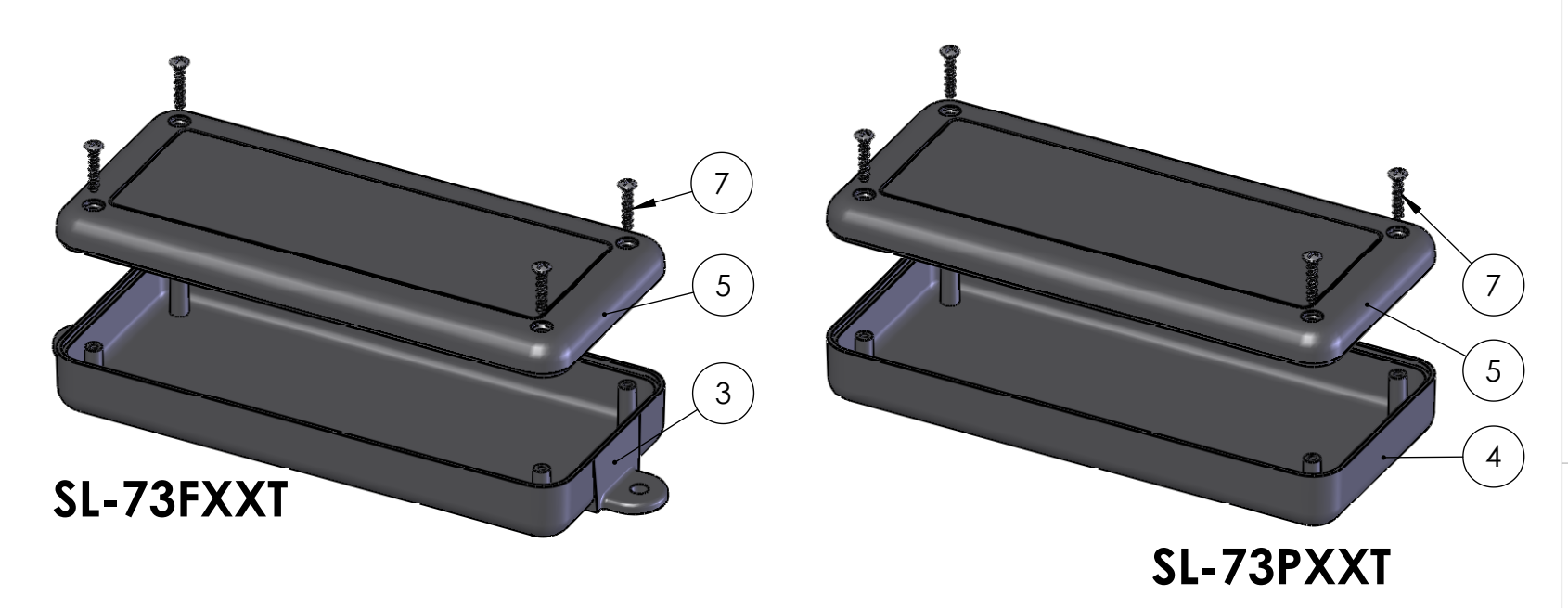
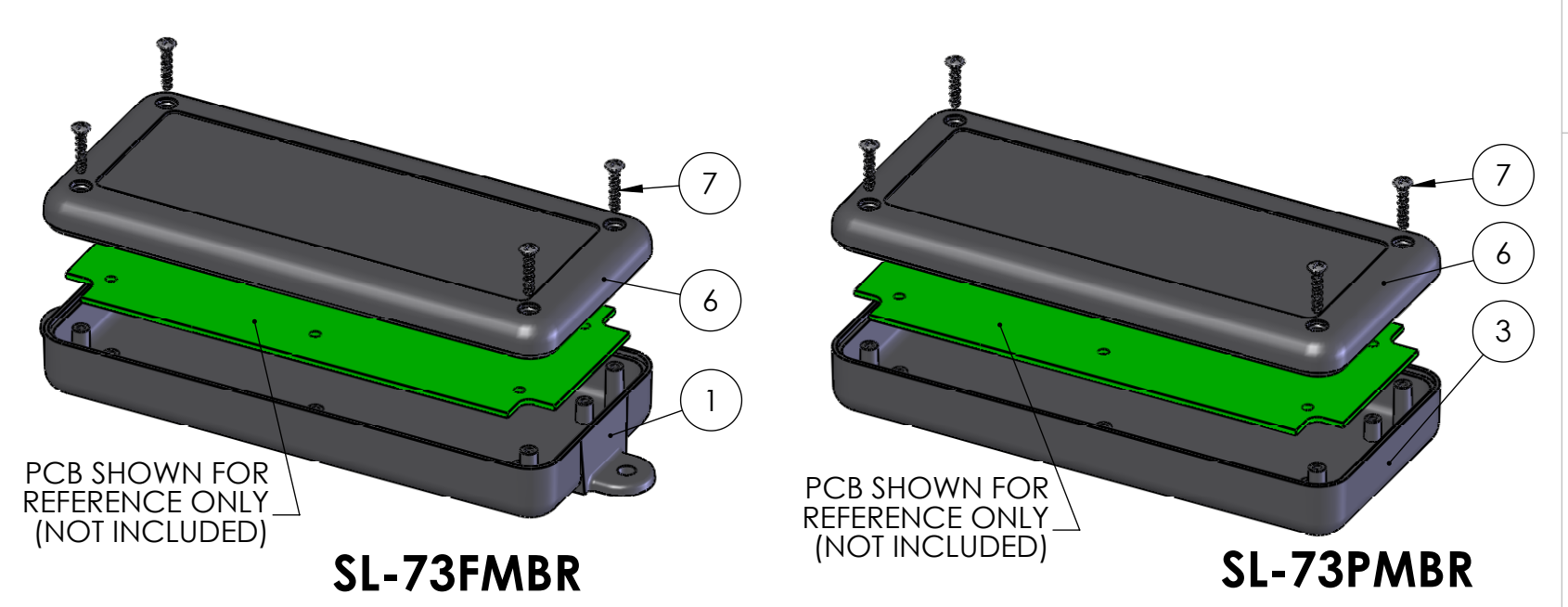
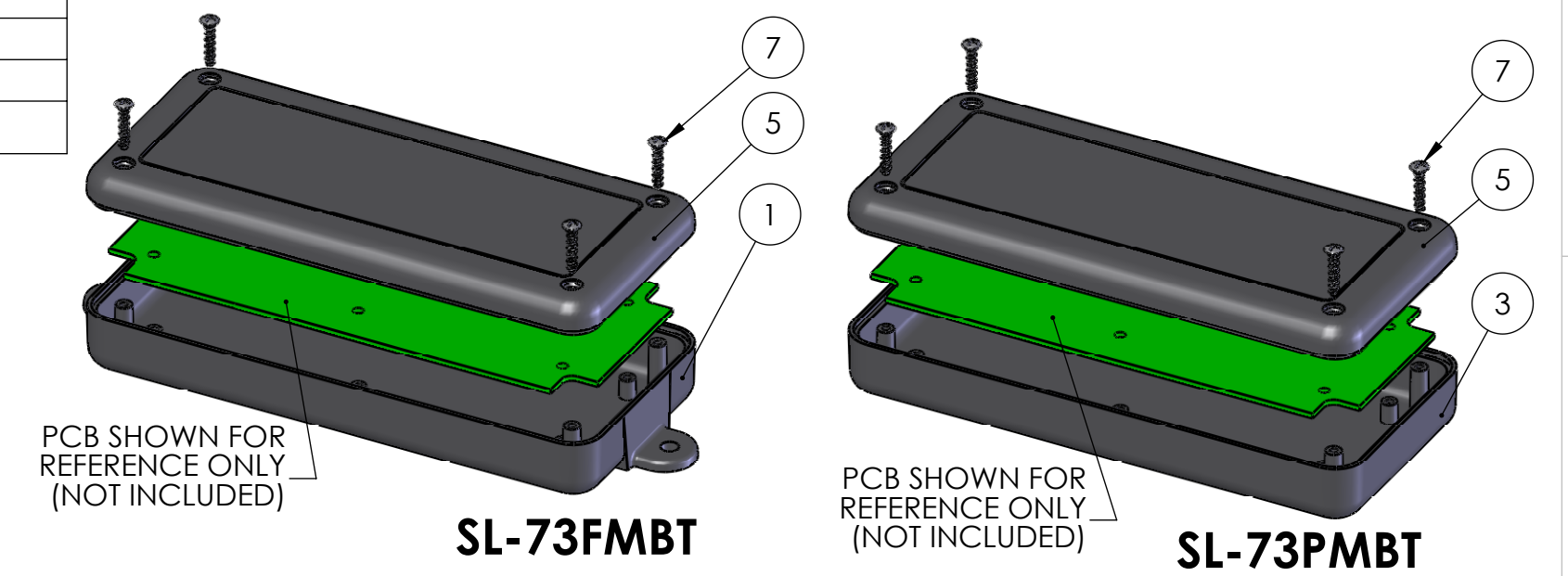
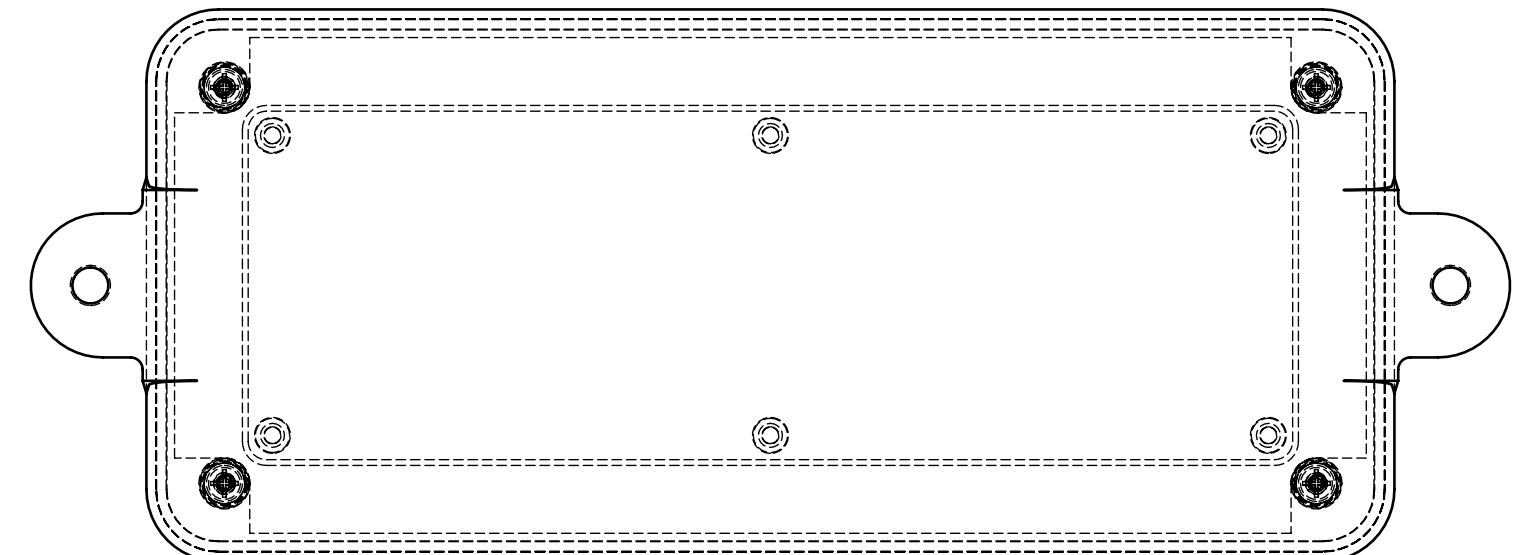
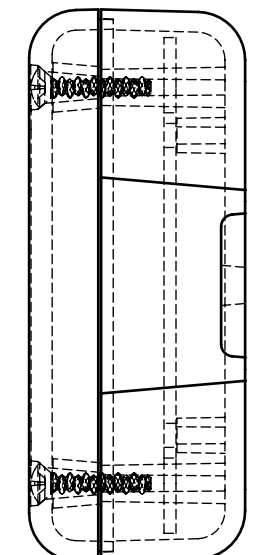
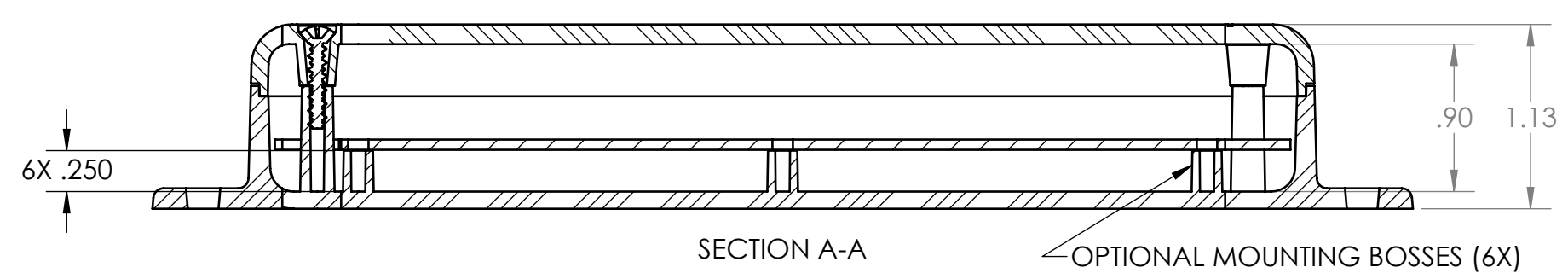
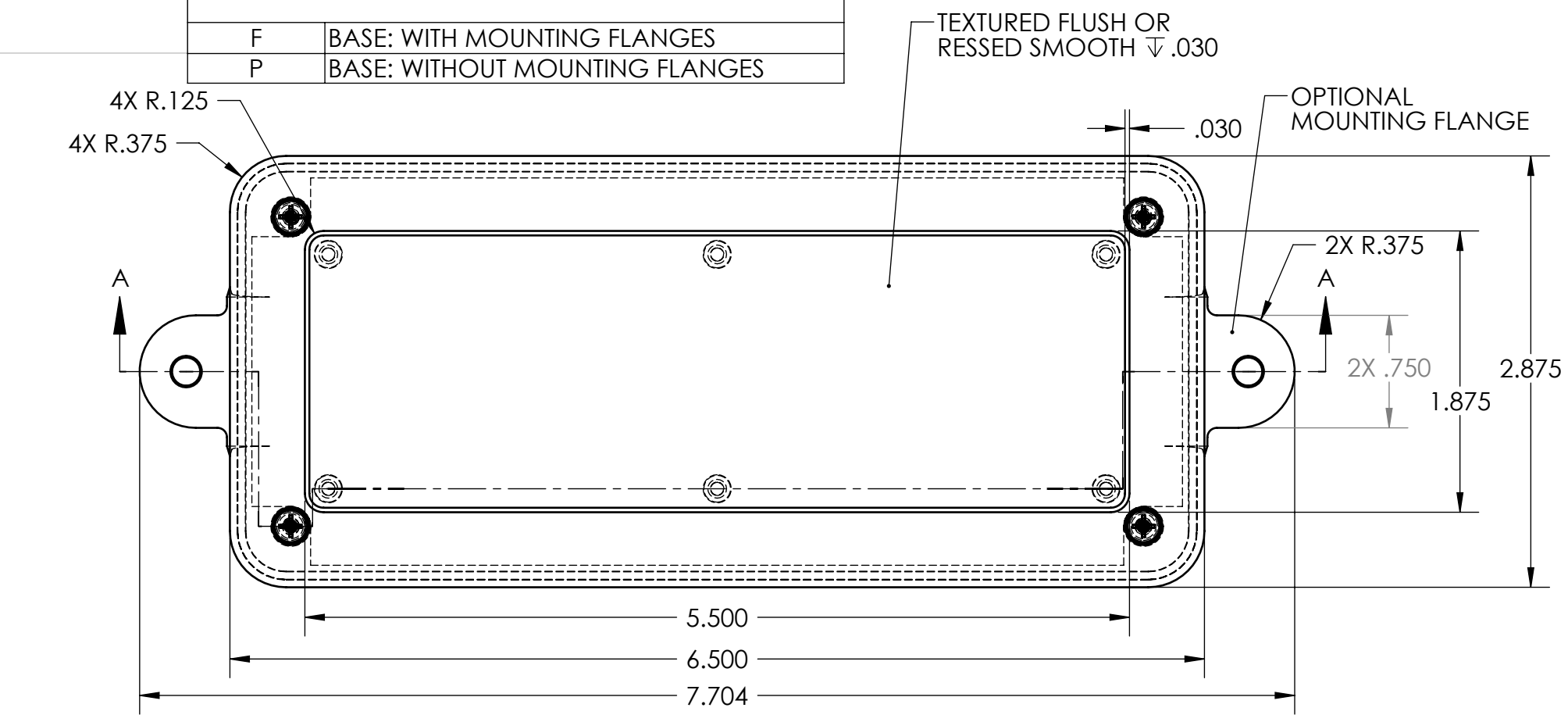


BOM Table									
ITEM NO.	PART NUMBER	SL-64FMBT/QTY.	SL-64PMBT/QTY.	SL-64FXXT/QTY.	SL-64PXXT/QTY.	SL-64FMBR/QTY.	SL-64FXXR/QTY.	SL-64PMBR/QTY.	SL-64PXXR/QTY.
1	SL-73BFMB	1	-	-	-	1	-	-	-
3	SL-73BPMB	-	1	-	-	-	-	1	-
3	SL-73BFXX	-	-	1	-	-	1	-	-
4	SL-73BPXX	-	-	-	1	-	-	-	1
5	SL-73C-T	1	1	1	1	-	-	-	-
6	SL-73C-R	-	-	-	-	1	1	1	1
7	SCREWS-HL5/8-BR	4	4	4	4	4	4	4	4

SL-73

General Table	
ENCLOSURE OPTIONS	
CODE	DESCRIPTION
OMIT	COLOR: BLACK
*01	COLOR: GRAY
*03	COLOR: BONE
T	COVER: TEXTURED FLUSH
R	COVER: RECESSED SMOOTH
MB	BASE: WITH MOUNTING BOSSES
XX	BASE: WITHOUT MOUNTING BOSSES
F	BASE: WITH MOUNTING FLANGES
P	BASE: WITHOUT MOUNTING FLANGES



NOTES:
 1. PCB MOUNTING BOSSES WILL ACCEPT A #4 X .250 LONG THREAD FORMING SCREW (SCREWS AVAILABLE FROM POLYCASE)

UNLESS OTHERWISE SPECIFIED:
 DIMENSIONS ARE IN: INCHES (mm)
 TOLERANCES: ANGULAR: ±2°
 TWO PLACE DECIMAL: ±.030
 THREE PLACE DECIMAL: ±.015

PROPRIETARY AND CONFIDENTIAL
 THE INFORMATION CONTAINED IN THIS DRAWING IS THE SOLE PROPERTY OF POLYCASE. ANY REPRODUCTION IN PART OR AS A WHOLE WITHOUT THE WRITTEN PERMISSION OF POLYCASE IS PROHIBITED.
 CAD FILE: SL-73_ASSEMBLY

PART NO. SL-73_ASSEMBLY
 PRODUCT

CLIENT

NAME DATE
 D.M.F. 7/10/2008
 B.M.B. 7/10/2008

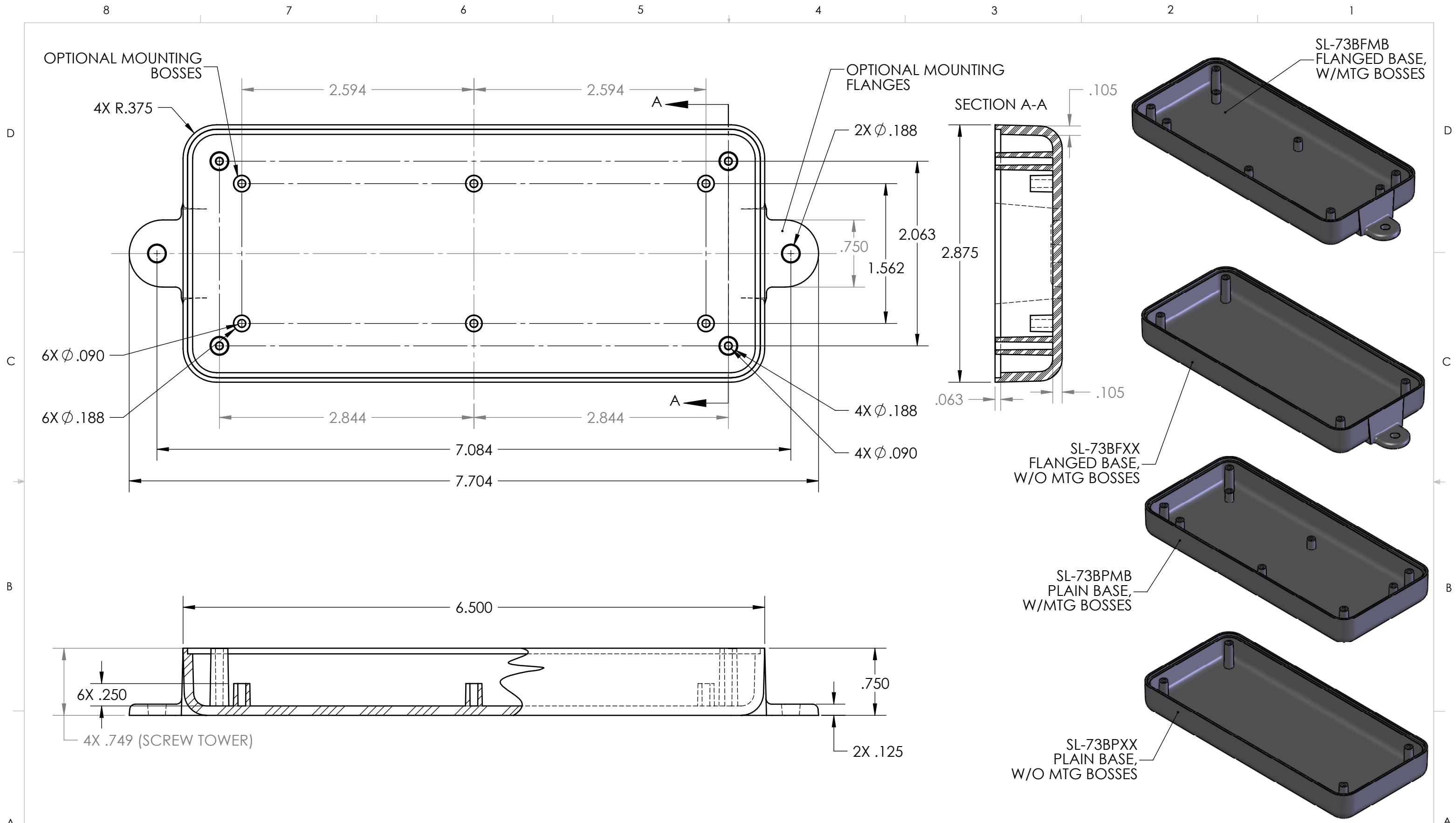
SCALE: 1:1

TITLE: Product Detail Drawing

REV: -

SHEET 1 OF 1

ZONE	REV.	DESCRIPTION	BY	APP'D	DATE
REVISIONS					



NOTES:
1) PC BOARD WILL ACCEPT A #4 X 1/4" THREAD FORMING SCREW.
(SCREWS AVAILABLE FROM POLYCASE)

ZONE	REV.	DESCRIPTION	BY	APPR'D	DATE
-	-	INITIAL RELEASE	D.M.F.	B.M.B.	7/10/2008
REVISIONS					

UNLESS OTHERWISE SPECIFIED:
DIMENSIONS ARE IN: INCHES[mm]
TOLERANCES: ANGULAR: $\pm 2^\circ$
TWO PLACE DECIMAL: $\pm .030$
THREE PLACE DECIMAL: $\pm .015$

PROPRIETARY AND CONFIDENTIAL
THE INFORMATION CONTAINED IN THIS DRAWING IS THE SOLE PROPERTY OF POLYCASE. ANY REPRODUCTION IN PART OR AS A WHOLE WITHOUT THE WRITTEN PERMISSION OF POLYCASE IS PROHIBITED.

CAD FILE: SL-73B

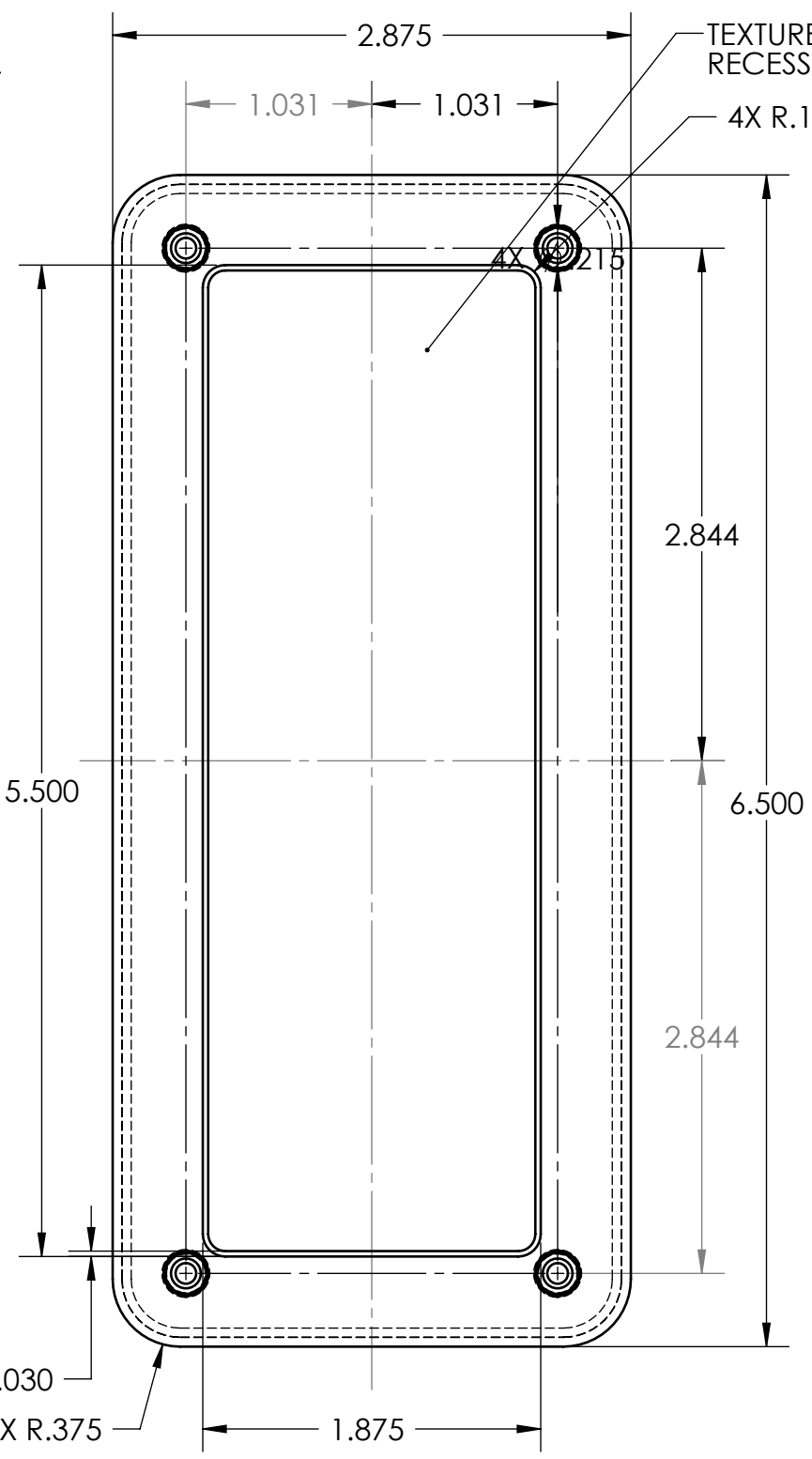
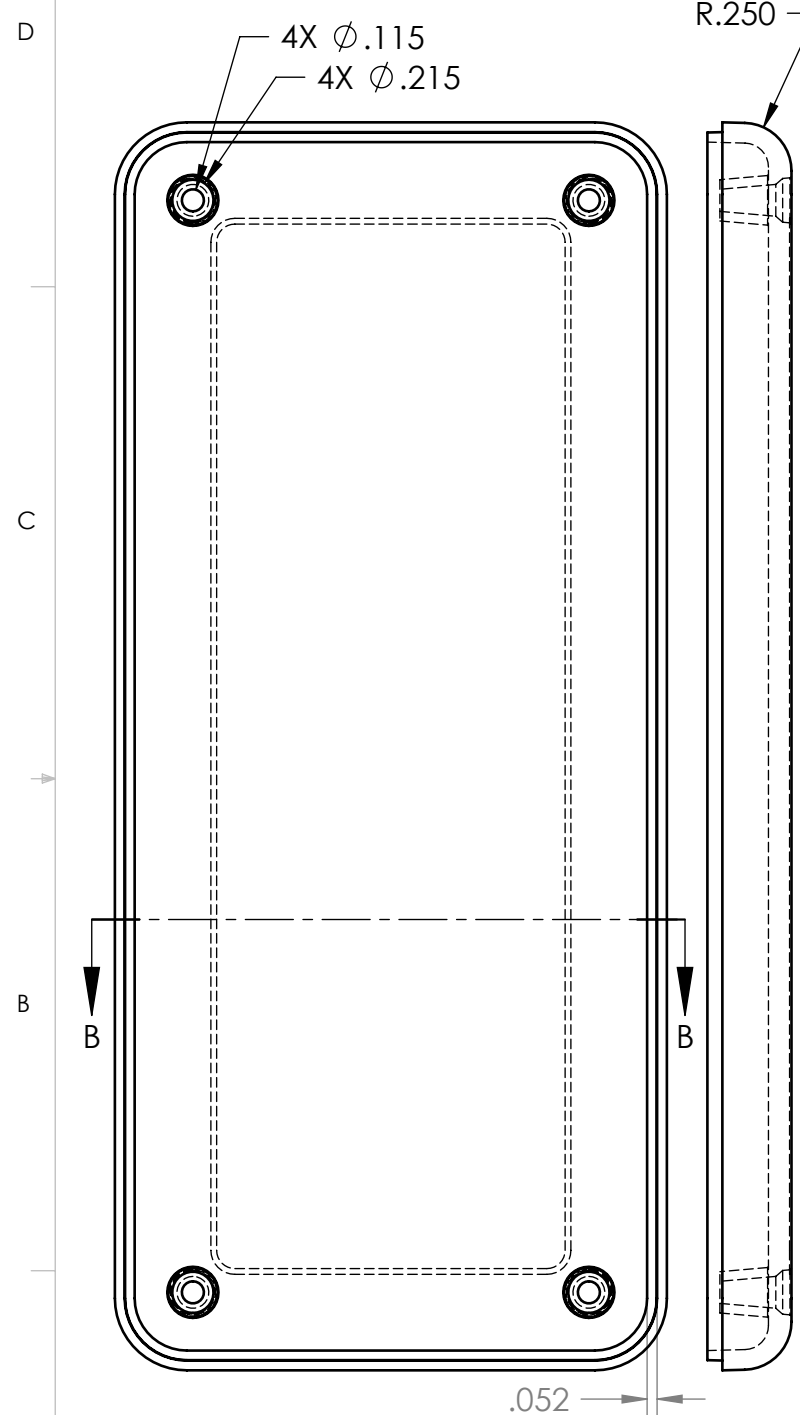
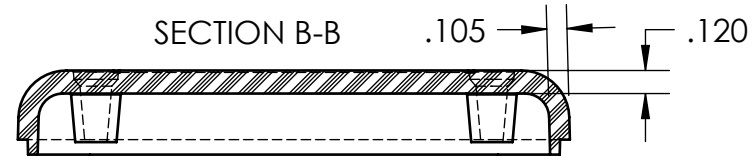
PART NO. SL-73B		
PRODUCT -		
CLIENT -		
DRAWN	NAME	DATE
CHECKED	B.M.B.	7/10/2008

POLYCASETM
YOUR PERFECT FIT

1305 CHESTER IND. PARKWAY AVON, OHIO 44011-1083 U.S.A.
PH#: 1-800-248-1233, 440-934-0444 FAX#: 440-934-0088

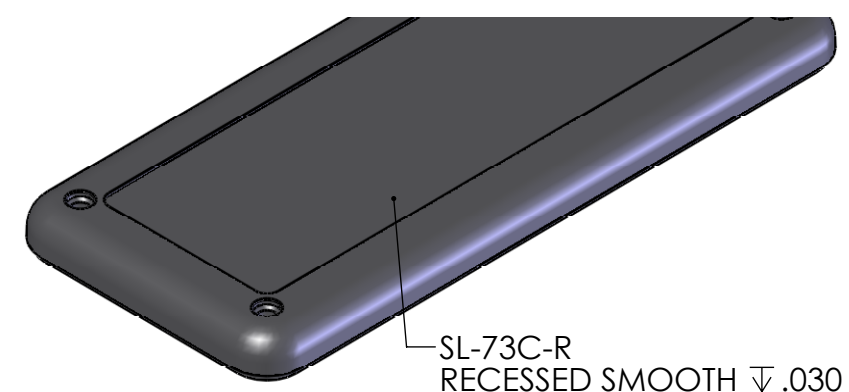
SIZE B	TITLE: Secondary Operations Drawing	REV -
SCALE: 1:1	SHEET 1 OF 1	

8 7 6 5 4 3 2 1



TEXTURED FLUSH OR RECESSED SMOOTH ∇ .030

SL-73C-T
TEXTURED FLUSH



SL-73C-R
RECESSED SMOOTH ∇ .030

A

A

UNLESS OTHERWISE SPECIFIED:
DIMENSIONS ARE IN: INCHES[mm]
TOLERANCES: ANGULAR: $\pm 2^\circ$
TWO PLACE DECIMAL: $\pm .030$
THREE PLACE DECIMAL: $\pm .015$

PROPRIETARY AND CONFIDENTIAL
THE INFORMATION CONTAINED IN THIS
DRAWING IS THE SOLE PROPERTY OF
POLYCASE. ANY REPRODUCTION IN PART
OR AS A WHOLE WITHOUT THE WRITTEN
PERMISSION OF POLYCASE IS PROHIBITED.
CAD FILE: SL-73C

PART NO. SL-73C		
PRODUCT -		
CLIENT -		
DRAWN	NAME	DATE
CHECKED	B.M.B.	7/10/2008

POLYCASETM
YOUR PERFECT FIT
1305 CHESTER IND. PARKWAY AVON, OHIO 44011-1083 U.S.A.
PH#: 1-800-248-1233, 440-934-0444 FAX#: 440-934-0088

SIZE B	TITLE: Secondary Operations Drawing	REV -
SCALE: 1:1	SHEET 1 OF 1	

ZONE	REV.	DESCRIPTION	BY	APPR'D	DATE
-	-	INITIAL RELEASE	D.M.F.	B.M.B.	7/10/2008
REVISIONS					

8 7 6 5 4 3 2 1