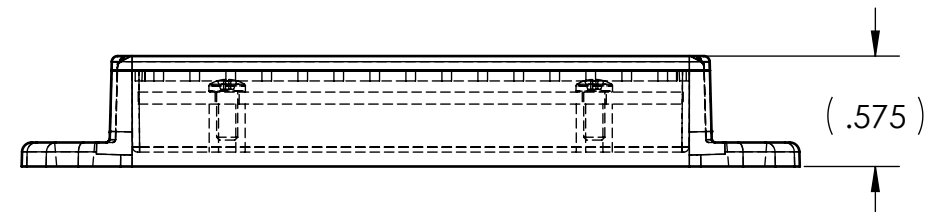
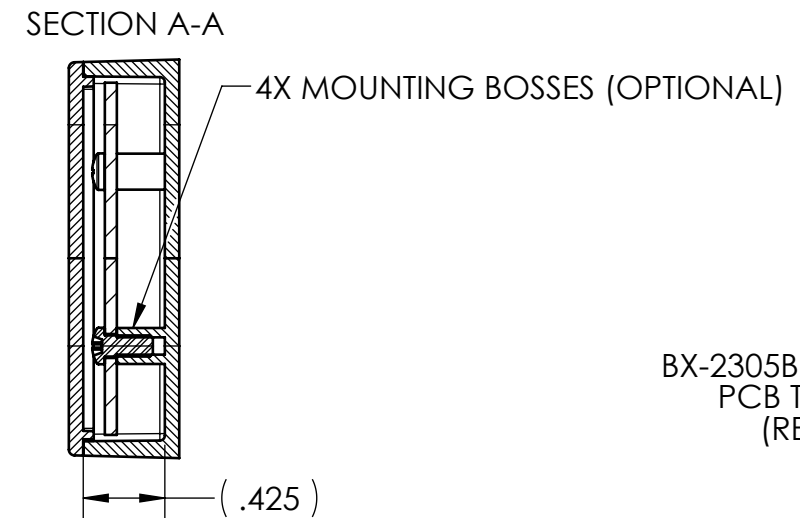
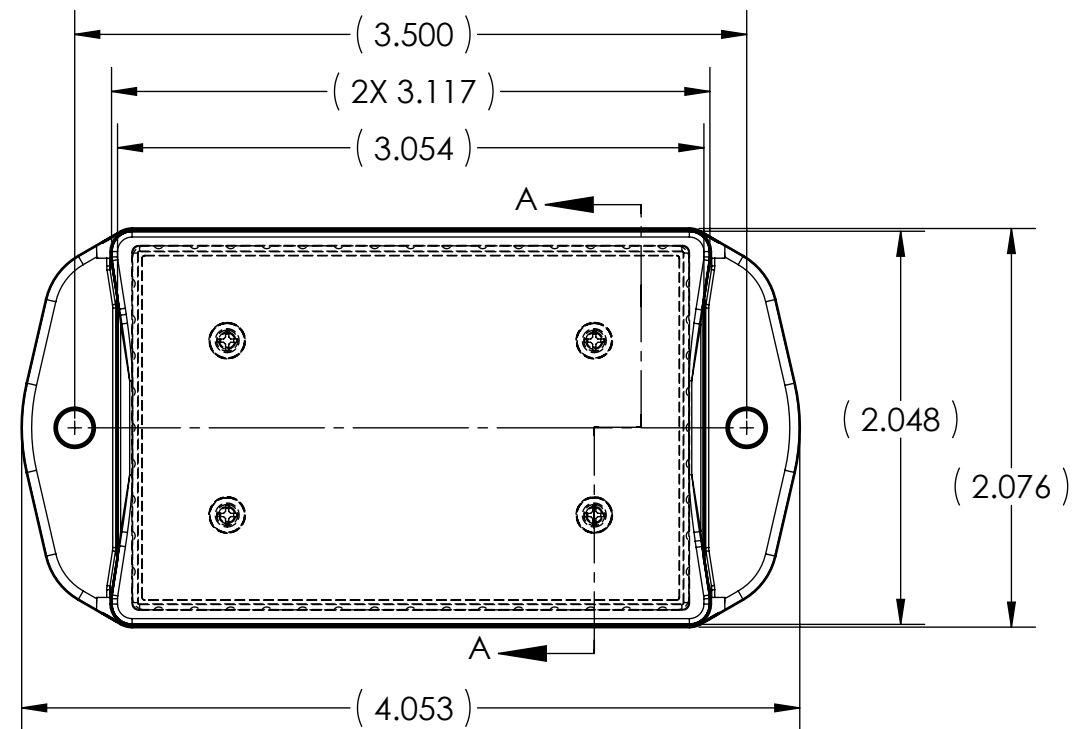
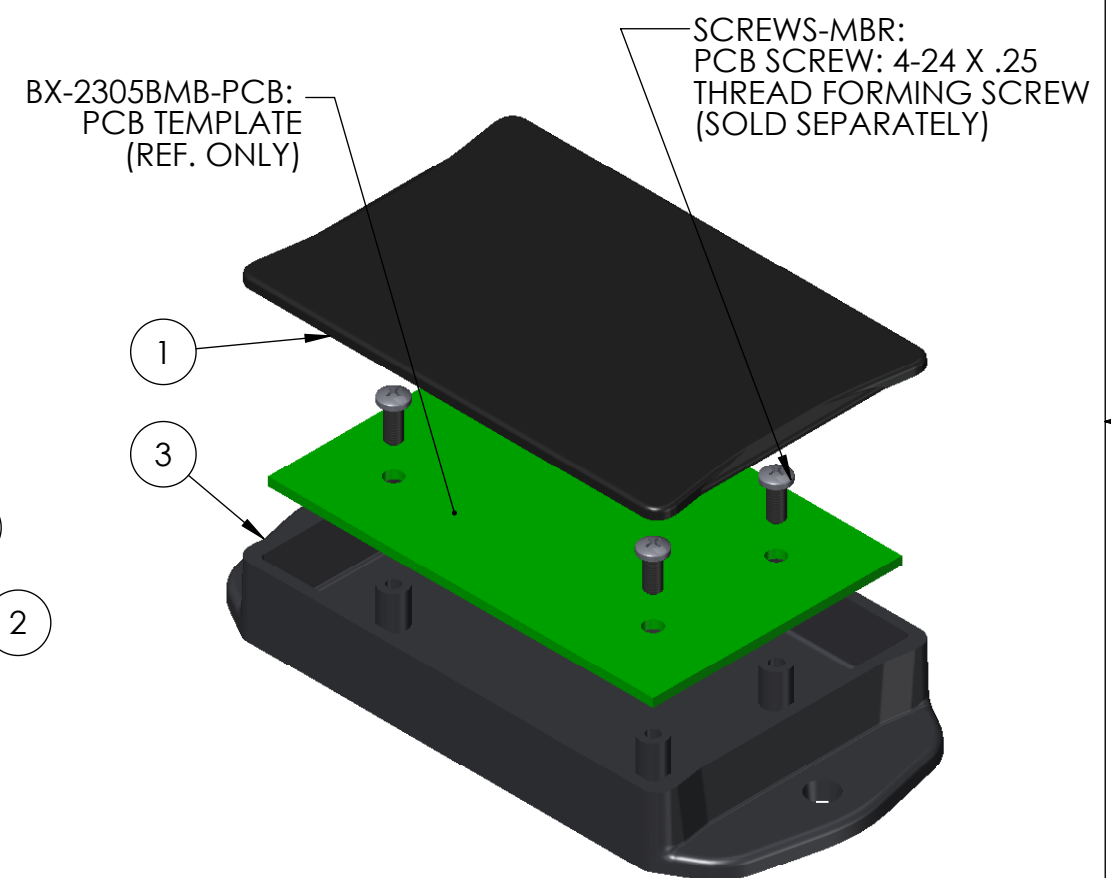


ITEM NO.	PART NUMBER	Revision	DESCRIPTION	MATERIAL
1	BX-23C	1	BX SERIES COVER, BLACK	ABS
2	BX-2305BXX	-	BX SERIES BASE, BLACK, WITHOUT MOUNTING BOSSES	ABS
3	BX-2305BMB	-	BX SERIES BASE, BLACK, WITH MOUNTING BOSSES	ABS

NOTE: ALL COMPONENTS ARE SOLD AND PRICED SEPARATELY. SHOWN ASSEMBLED FOR REFERENCE ONLY.



FLAME RATING: UL94V-0



FLAME RATING: UL94V-0

NOTES:
1. MOUNTING BOSSES ACCEPT A #4 X .25 THREAD FORMING SCREW. SCREWS ARE AVAILABLE FROM POLYCASE.

REV.	DESCRIPTION	ZONE	BY	APPR'D	DATE
REVISIONS					

UNLESS OTHERWISE SPECIFIED:
DIMENSIONS ARE IN: INCHES[mm]
TOLERANCES: ANGULAR: ±2°
TWO PLACE DECIMAL: ±.030
THREE PLACE DECIMAL: ±.015
PRINTED GRAPHICS: ±.010

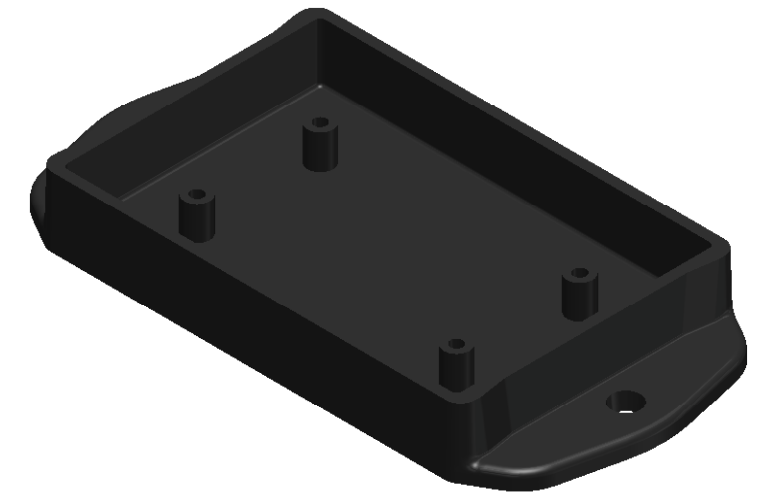
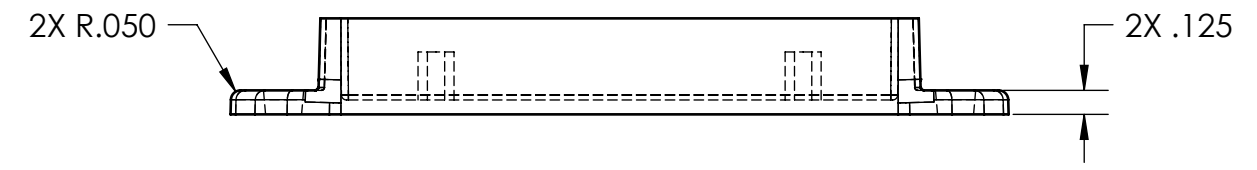
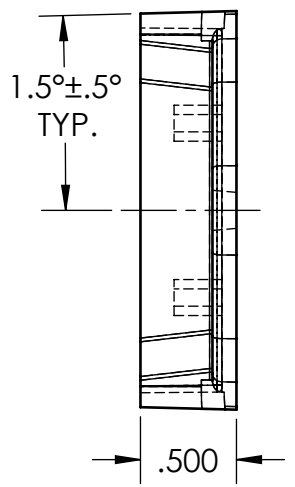
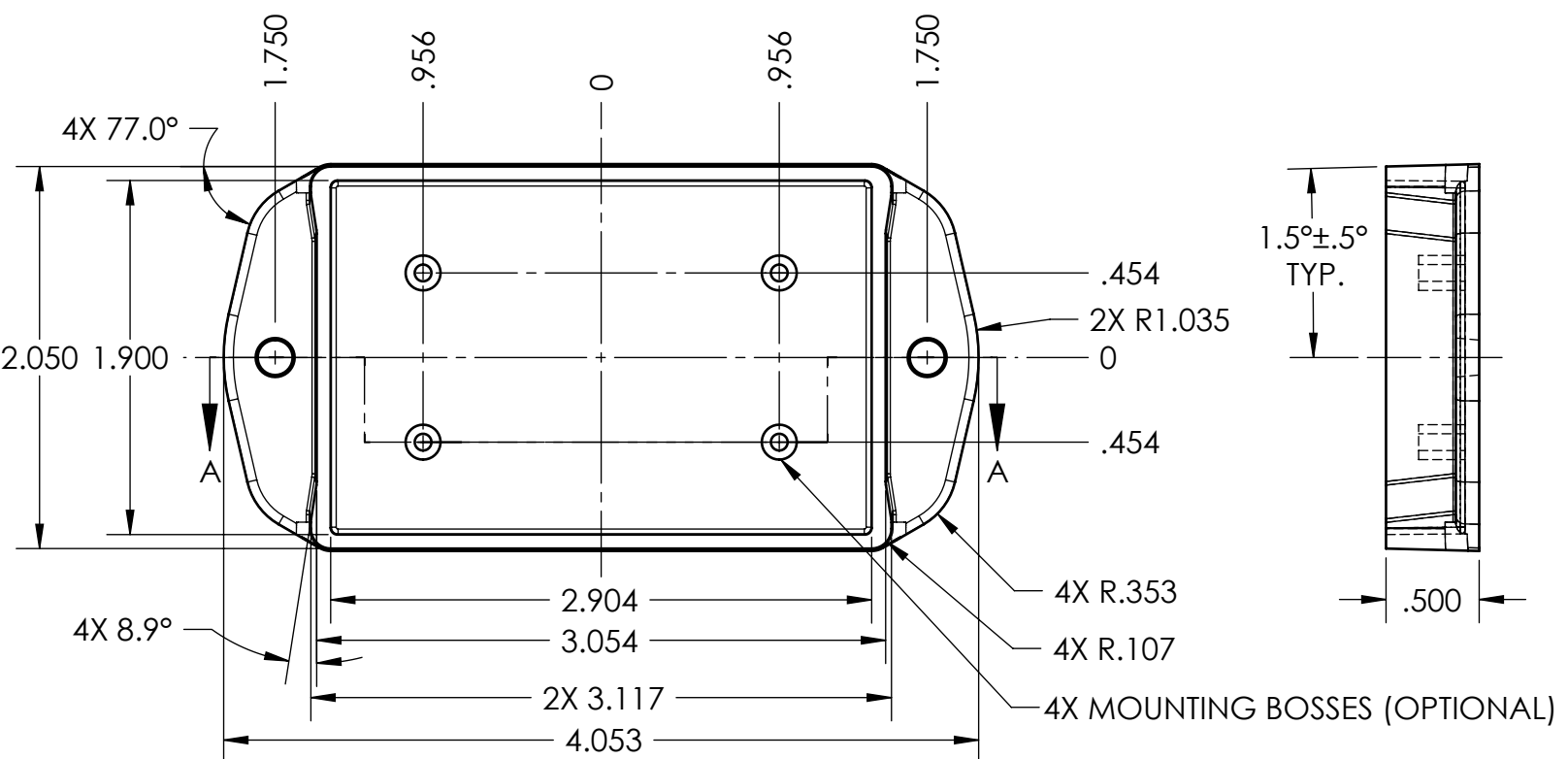
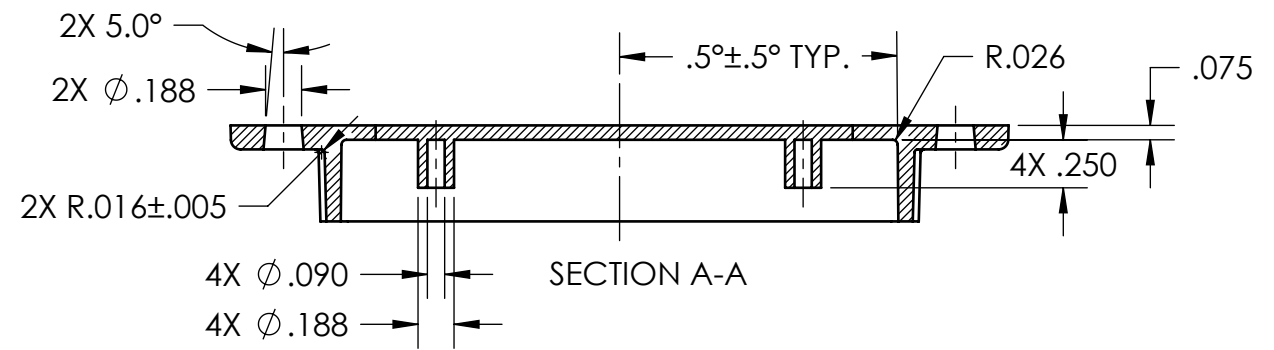
PROPRIETARY AND CONFIDENTIAL
THE INFORMATION CONTAINED IN THIS
DRAWING IS THE SOLE PROPERTY OF
POLYCASE. ANY REPRODUCTION IN PART
OR AS A WHOLE WITHOUT THE WRITTEN
PERMISSION OF POLYCASE IS PROHIBITED.
CAD FILE: BX-2305 ASS'Y

PART NO. BX-2305 ASS'Y		
PRODUCT -		
CLIENT -		
DRAWN	NAME	DATE
CHECKED	B.M.B.	12/11/2009

POLYCASE™
YOUR PERFECT FIT
1305 CHESTER IND. PARKWAY AVON, OHIO 44011-1083 U.S.A.
PH#: 1-800-248-1233, 440-934-0444 FAX#: 440-934-0088

SIZE B	TITLE: Product Assembly Drawing	REV -
SCALE: 1:1	SHEET 1 OF 1	

8 7 6 5 4 3 2 1



BX-2305BMB:
BX SERIES BASE, BLACK, WITH MOUNTING BOSSES
MATERIAL: ABS
FLAME RATING: UL94V-0



BX-2305BXX:
BX SERIES BASE, BLACK, WITHOUT MOUNTING BOSSES
MATERIAL: ABS
FLAME RATING: UL94V-0

NOTES:
1. MOUNTING BOSSES ACCEPT A #4 X .25 THREAD FORMING SCREW. SCREWS ARE AVAILABLE FROM POLYCASE.

REV.	DESCRIPTION	ZONE	BY	APPR'D	DATE
REVISIONS					

UNLESS OTHERWISE SPECIFIED:
DIMENSIONS ARE IN: INCHES [mm]
TOLERANCES: ANGULAR: ±2°
TWO PLACE DECIMAL: ±.030
THREE PLACE DECIMAL: ±.015
PRINTED GRAPHICS: ±.010

PROPRIETARY AND CONFIDENTIAL
THE INFORMATION CONTAINED IN THIS
DRAWING IS THE SOLE PROPERTY OF
POLYCASE. ANY REPRODUCTION IN PART
OR AS A WHOLE WITHOUT THE WRITTEN
PERMISSION OF POLYCASE IS PROHIBITED.

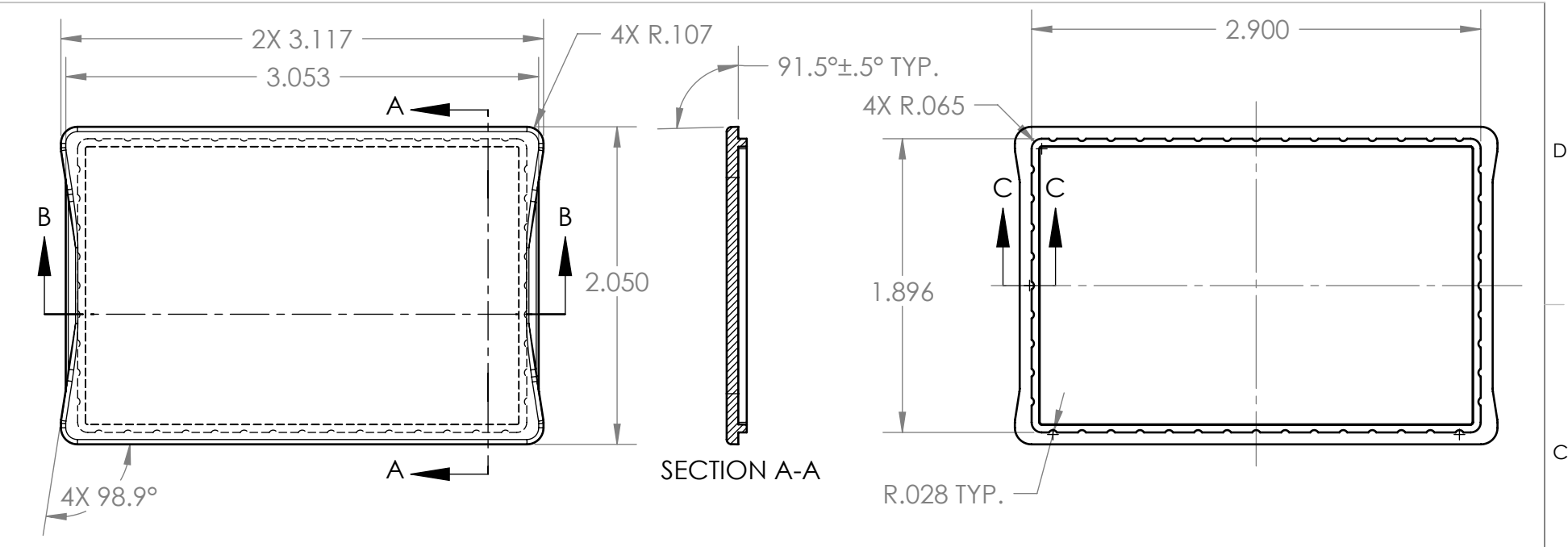
CAD FILE: BX-2305B

PART NO. BX-2305B		
PRODUCT -		
CLIENT -		
DRAWN	NAME	DATE
CHECKED	B.M.B.	12/11/2009

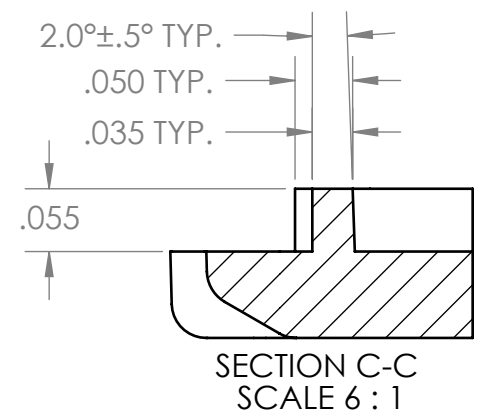
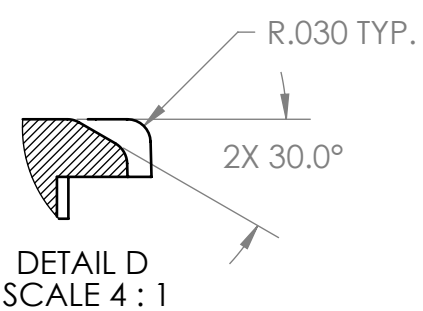
POLYCASE™
YOUR PERFECT FIT
1305 CHESTER IND. PARKWAY AVON, OHIO 44011-1083 U.S.A.
PH#: 1-800-248-1233, 440-934-0444 FAX#: 440-934-0088

SIZE B	TITLE: Product Detail Drawing	REV -
SCALE: 1:1	SHEET 1 OF 1	


8 7 6 5 4 3 2 1

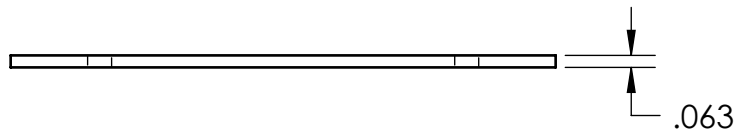
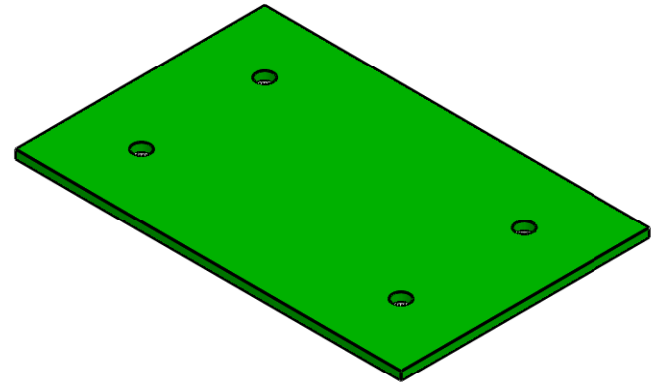
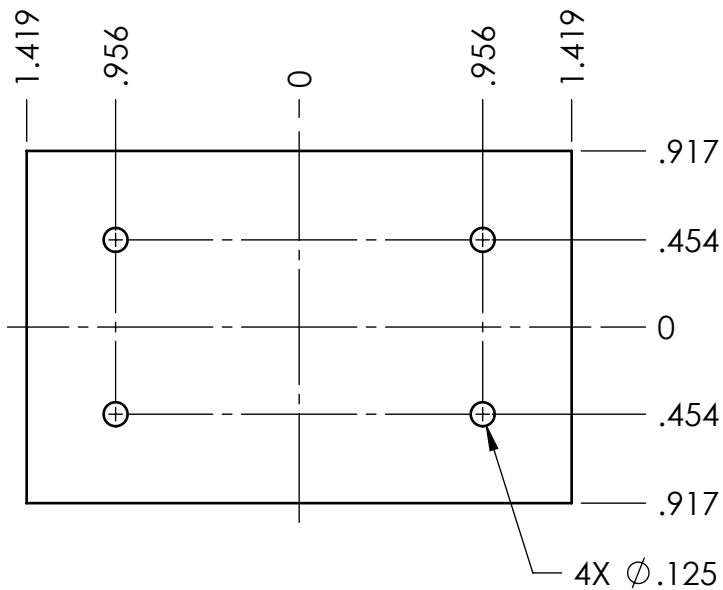


SECTION A-A




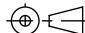
- NOTES:
1. MATERIAL: ABS
2. FLAME RATING: UL94V-0

UNLESS OTHERWISE SPECIFIED: DIMENSIONS ARE IN: INCHES[mm] TOLERANCES: ANGULAR: ±2° TWO PLACE DECIMAL: ±.030 THREE PLACE DECIMAL: ±.015 PRINTED GRAPHICS: ±.010	PART NO. BX-23C		 POLYCASE™ YOUR PERFECT FIT 1305 CHESTER IND. PARKWAY AVON, OHIO 44011-1083 U.S.A. PH#: 1-800-248-1233, 440-934-0444 FAX#: 440-934-0088					
	PRODUCT -							
PROPRIETARY AND CONFIDENTIAL THE INFORMATION CONTAINED IN THIS DRAWING IS THE SOLE PROPERTY OF POLYCASE. ANY REPRODUCTION IN PART OR AS A WHOLE WITHOUT THE WRITTEN PERMISSION OF POLYCASE IS PROHIBITED. CAD FILE: BX-23C	CLIENT -		SIZE A					
	<table border="1"> <thead> <tr> <th>NAME</th> <th>DATE</th> </tr> </thead> <tbody> <tr> <td>D.M.F.</td> <td>7/30/2009</td> </tr> <tr> <td>B.M.B.</td> <td>8/13/2009</td> </tr> </tbody> </table>		NAME	DATE	D.M.F.	7/30/2009	B.M.B.	8/13/2009
NAME	DATE							
D.M.F.	7/30/2009							
B.M.B.	8/13/2009							
DRAWN		REV 1						
CHECKED		SCALE: 1:1	SHEET 1 OF 1					



NOTES:

1. INCLUDES .031 CLEARANCE WITH THE INTERIOR OF BX-2305BMB WHEN UTILIZING THE MOUNTING BOSSES.

UNLESS OTHERWISE SPECIFIED: DIMENSIONS ARE IN: INCHES[mm] TOLERANCES: ANGULAR: ±2° TWO PLACE DECIMAL: ±.010 THREE PLACE DECIMAL: ±.005 PRINTED GRAPHICS: ±.010					PART NO. BX-2305BMB-PCB		 POLYCASE™ YOUR PERFECT FIT 1305 CHESTER IND. PARKWAY AVON, OHIO 44011-1083 U.S.A. PH#: 1-800-248-1233, 440-934-0444 FAX#: 440-934-0088		
					PRODUCT -			SIZE A	TITLE: PCB Template
PROPRIETARY AND CONFIDENTIAL THE INFORMATION CONTAINED IN THIS DRAWING IS THE SOLE PROPERTY OF POLYCASE. ANY REPRODUCTION IN PART OR AS A WHOLE WITHOUT THE WRITTEN PERMISSION OF POLYCASE IS PROHIBITED. CAD FILE: BX-2305BMB-PCB					CLIENT -		DRAWN D.M.F. 9/3/2009 CHECKED B.M.B. 12/11/2009	 SCALE: 1:1	SHEET 1 OF 1
ZONE	REV.	DESCRIPTION	BY	APPR'D	DATE				

5

4

3

2

1