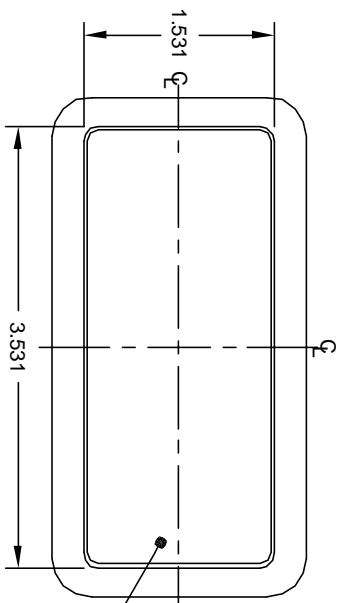
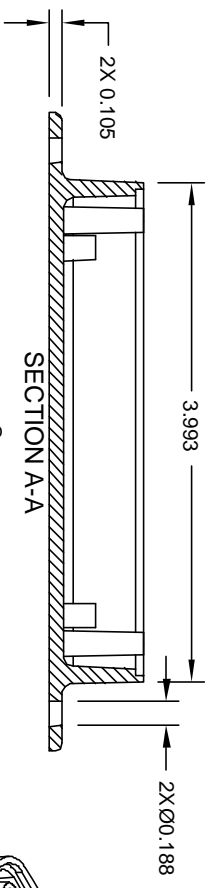
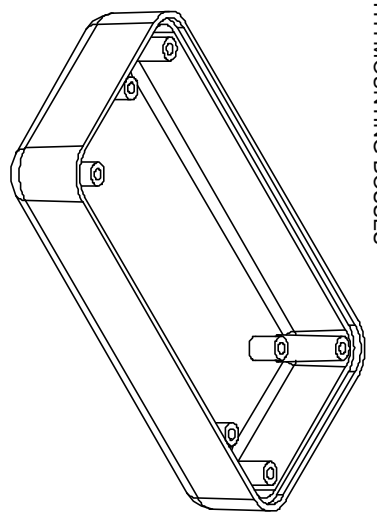
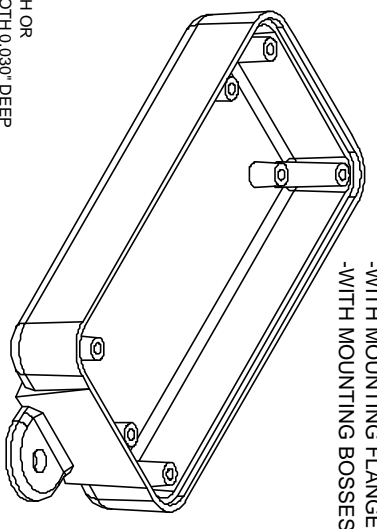


SL-308PMBT:
-WITHOUT MOUNTING FLANGES
-TEXTURED FLUSH INSERT AREA
- WITH MOUNTING BOSSSES



INSERT AREA:
TEXTURED FLUSH OR
RECESSED SMOOTH 0.030" DEEP
(TEXTURED FLUSH SHOWN)
(RECESSED SMOOTH INSERT AREA ONLY AVAILABLE ON BASE W/O FLANGES)
(FLANGED BASE DOESNT HAVE A "GUTTER" AROUND INSERT ARE A



SL-308PMBT:
-WITH MOUNTING FLANGES
-WITH MOUNTING BOSSSES

NOTES:
1) PC BOARD WILL ACCEPT A #4 X 1/4" THREAD FORMING SCREW.
(SCERWS AVAILABLE FROM POLYCASE)

REV	DESCRIPTION	BY	CHK	DATE	TON BRANGES, UNLESS OTHERWISE SPECIFIED X.XXX ±.020 X.XXXX ±.010	1000 CHESTER RD. PARKWAY AVE. OHIO 44111 U.S.A. PH 1-800-248-1231 440-934-0444 FAX 1-440-931-0888 THIS DRAWING AND THE INFORMATION CONTAINED HEREIN IS THE PROPERTY OF POLYCASE AND IS TO BE REPRODUCED OR TRANSMITTED IN ANY FORM OR BY ANY MEANS, ELECTRONIC OR MECHANICAL, WITHOUT PERMISSION IN WRITING FROM POLYCASE. FOR THE INTEREST OF POLYCASE	CUSTOMER:	DRWN BY	APP BY	SCALE:	DATE:
								DF	B.B.	FULL	5/9/05
								JOB NO:		PRODUCT:	SL-308
								TITLE: PRODUCT DETAIL DRAWING			

