

NOTES:
 1) PC BOARD BOSSES WILL ACCEPT A #4 X 1/4" THREAD FORMING SCREW (SCREWS AVAILABLE FROM POLYCASE)

REV	DESCRIPTION	BY	CHK	DATE

POLYCASE
 YOUR PERFECT FIT

100 CHESTER RD. PARKWAY AVE. OHIO 46111 USA
 TEL: 419.248.1231 FAX: 419.248.1232
 WWW.POLYCASE.COM

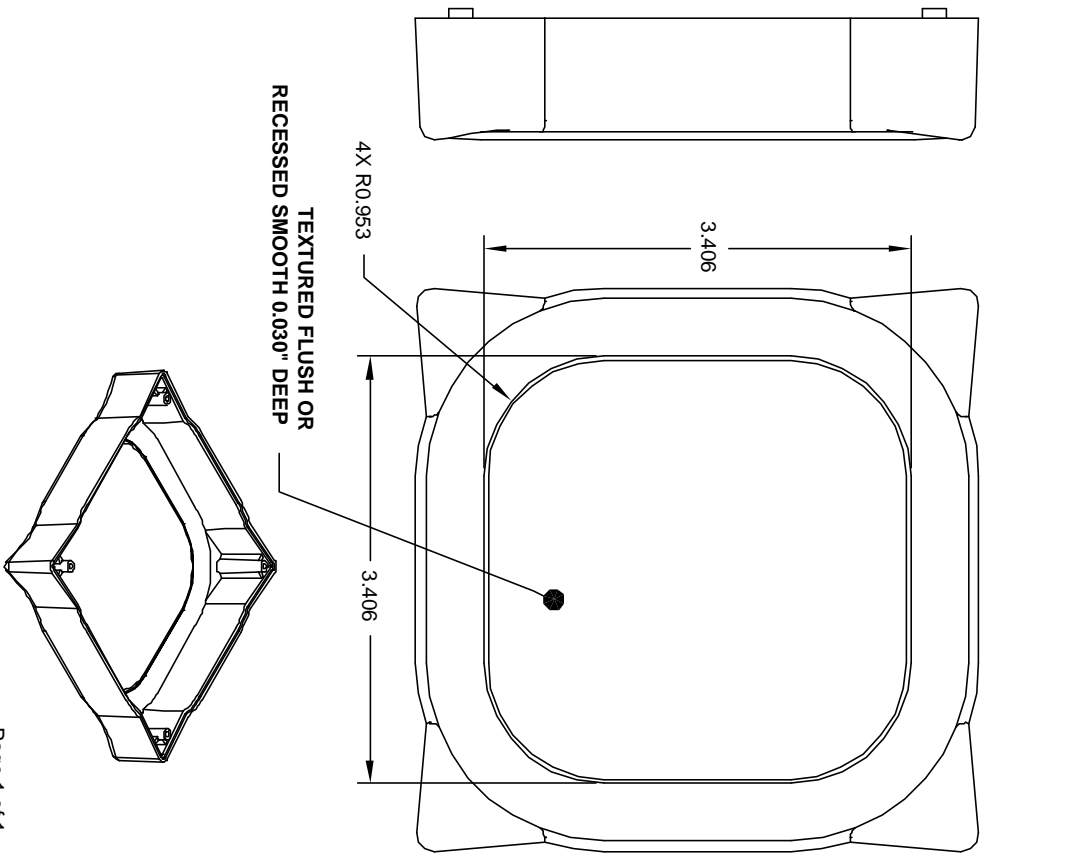
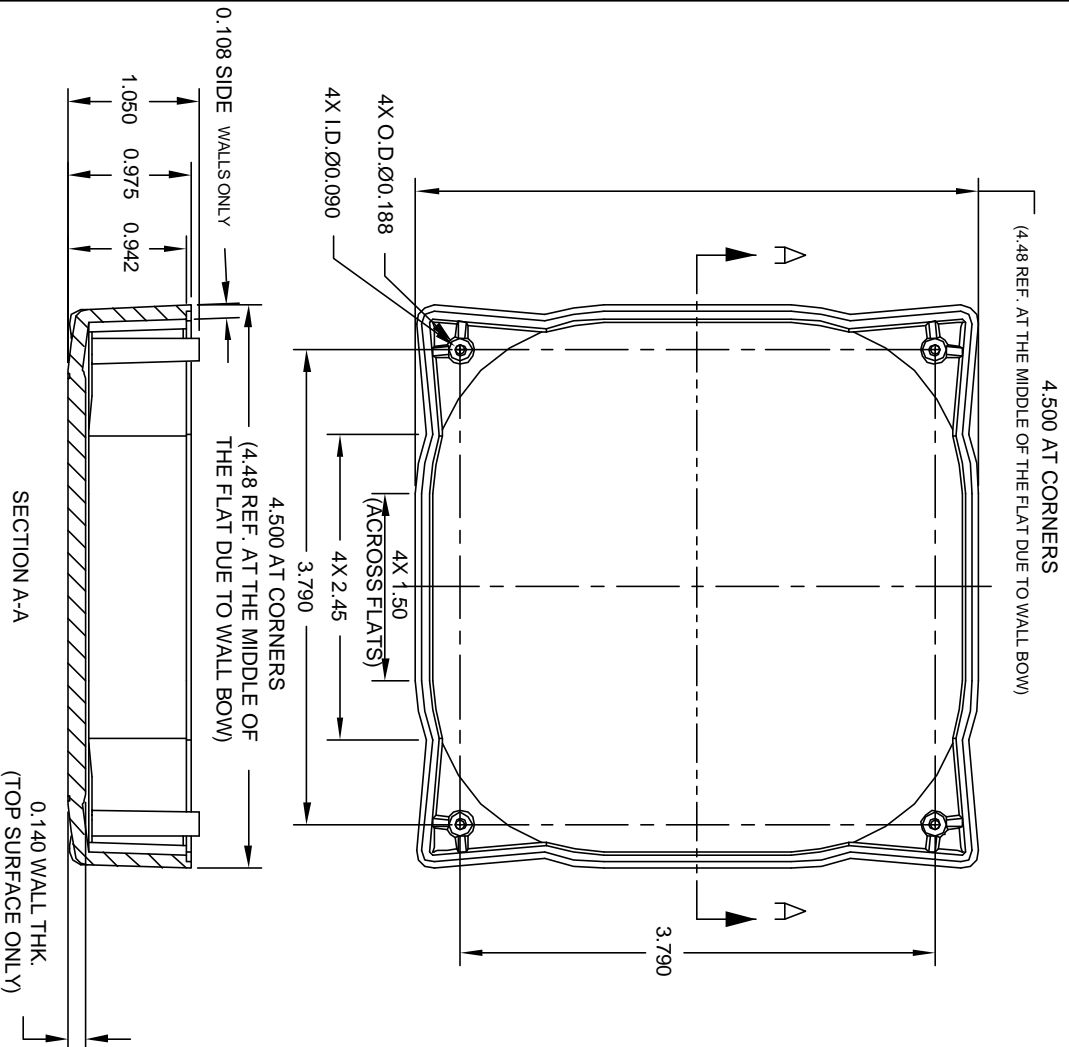
THIS DRAWING AND THE INFORMATION CONTAINED HEREIN IS THE PROPERTY OF POLYCASE AND IS TO BE USED ONLY FOR THE PROJECT AND DRAWING NUMBER SPECIFIED. REPRODUCTION OR TRANSMISSION IN ANY FORM OR BY ANY MEANS WITHOUT THE WRITTEN PERMISSION OF POLYCASE IS STRICTLY PROHIBITED.

TON BRUNER, JUNIERS
 OTHERWISE SPECIFIED
 X.XXX ±.030
 X.XXX ±.010

DRWN BY: APP BY: SCALE: DATE:
 DF: B.B. FULL: 1/20/05

JOB NO.: PRODUCT: RW-45ASSY

CUSTOMER: TITLE: Product Detail Drawing



4.500 AT CORNERS
(4.48 REF. AT THE MIDDLE OF THE FLAT DUE TO WALL BOW)

0.108 SIDE WALLS ONLY
1.050 0.975 0.942
4.500 AT CORNERS
(4.48 REF. AT THE MIDDLE OF THE FLAT DUE TO WALL BOW)

SECTION A-A

0.140 WALL THK.
(TOP SURFACE ONLY)

NOTES:
1) PC BOARD BOSSES WILL ACCEPT A #4 X 1/4" THREAD FORMING SCREW (SCREWS AVAILABLE FROM POLYCASE)

REV	DESCRIPTION	BY	CHK	DATE

POLYCASE
YOUR PERFECT FIT

100 CHESTER RD. PARKWAY AVALON, OHIO 44611 U.S.A.
TEL: 419.248.1231 FAX: 419.248.1232
E-MAIL: SALES@POLYCASE.COM WWW.POLYCASE.COM

THIS DRAWING AND THE INFORMATION CONTAINED HEREIN ARE THE PROPERTY OF POLYCASE AND ARE TO BE REPRODUCED OR TRANSMITTED IN ANY FORM OR BY ANY MEANS WITHOUT THE WRITTEN PERMISSION OF POLYCASE.

DRWN BY: APP BY: SCALE: DATE: 1/20/05
JOB NO.: PRODUCT: RW-45C
CUSTOMER: TITLE: Product Detail Drawing