



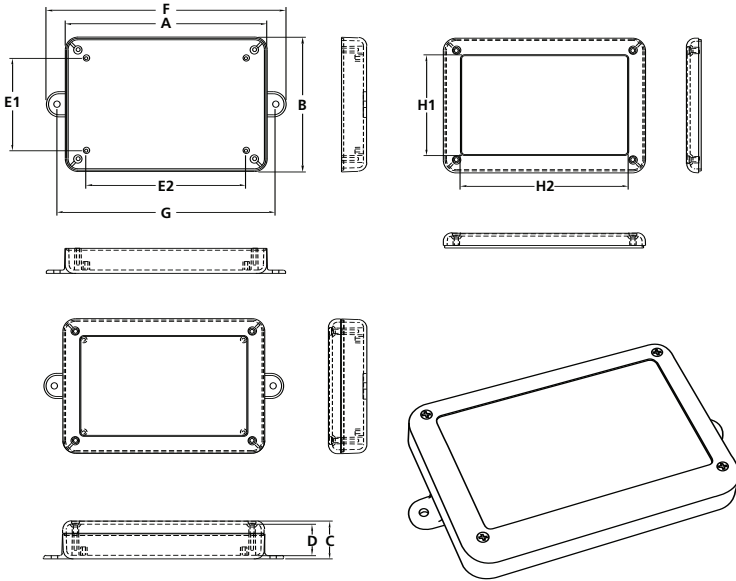
Order On Line
www.polycase.com
sales@polycase.com
800-248-1233
Fax: 440-934-0088

PLASTIC ENCLOSURES FOR ELECTRONICS

SL Product Features

Material	Design	Additional Info
----------	--------	-----------------

- | | | |
|-------------------------------------------------------------------------------------------------------------------------------------------------------------------------------------------------------------------------------------------------------|---------------------------------------------------------------------------------------------------------------------------------------------------------------------------------------------------------------------------------------------------------------------------------------------------------------------------------------------------------------------------------------------------------------------------------------------------|----------------------------------------------------------------------------------------|
| <ul style="list-style-type: none"> • Material: Flame retardant ABS plastic • Flame Rating: UL's best flame rating of 94-5VA (SL with recessed cover option, UL94V-0) • Surface: Textured finish | <ul style="list-style-type: none"> • PC Board Mounting: Four PC board mounting bosses are a no-cost option • Mounting Flanges: Available with or without small, tab-style mounting flanges • Closure: Cover screws on to base • Cover Styles: Two styles – area on cover surface may be flush, textured or 0.030" recessed, smooth for graphic overlays or membrane keypads | <ul style="list-style-type: none"> • Colors: Black, bone or gray |
|-------------------------------------------------------------------------------------------------------------------------------------------------------------------------------------------------------------------------------------------------------|---------------------------------------------------------------------------------------------------------------------------------------------------------------------------------------------------------------------------------------------------------------------------------------------------------------------------------------------------------------------------------------------------------------------------------------------------|----------------------------------------------------------------------------------------|



• Slender profile is ideal for today's surface mount technology
 • Sleek design meets the demand for contemporary styling

	Catalog Number	Length A	Width B	Height C	Inside Depth D	PCB Bosses		Mtg. Boss Height	Mtg. Flange Length F	Mtg. Flange Holes G	Graphic Overlay	
						E1	E2				H1	H2
NEW	SL-30P	4.000	2.030	1.125	0.900	1.190 X 2.808		0.250			1.063 X 3.031	
NEW	SL-30F	4.000	2.030	1.125	0.900	1.190 X 2.808		0.250	5.110	4.500	1.063 X 3.031	
	SL-42P	4.250	2.625	1.265	1.050	1.375 X 3.000		0.250			1.655 X 3.280	
	SL-42F	4.250	2.625	1.265	1.050	1.375 X 3.000		0.250	5.365	4.755	1.655 X 3.280	
	SL-53P	5.625	3.250	1.150	0.930	2.000 X 4.375		0.250			2.280 X 4.655	
	SL-53F	5.625	3.250	1.150	0.930	2.000 X 4.375		0.250	6.750	6.130	2.280 X 4.655	
	SL-57P	5.625	3.250	1.375	1.160	2.000 X 4.375		0.250			2.280 X 4.655	
	SL-57F	5.625	3.250	1.375	1.160	2.000 X 4.375		0.250	6.750	6.130	2.280 X 4.655	
	SL-64P	6.015	4.010	1.140	0.925	2.755 X 4.760		0.250			3.040 X 5.030	
	SL-64F	6.015	4.010	1.140	0.925	2.755 X 4.760		0.250	7.140	6.520	3.040 X 5.030	
	SL-68P	6.015	4.010	1.500	1.290	2.755 X 4.760		0.250			3.040 X 5.030	
	SL-68F	6.015	4.010	1.500	1.290	2.755 X 4.760		0.250	7.140	6.520	3.040 X 5.030	

Dimensions are nominal and in inches

Mounting boss screws are available for purchase (4-24 x 1/4 inch thread forming screw) Bag of 100, \$2.50

Enclosure includes case, cover and screws for enclosure assembly

WHEN ORDERING, PLEASE SPECIFY:

1. **Catalog Number** – With or without mounting flanges
2. **PC Board Mounting Bosses** – With or without mounting bosses
3. **Cover Style** – Flush, textured or 0.030" recessed, smooth area
4. **Mounting Boss Screws** – Specify Yes or No
5. **Color** – Black, Bone or Gray