

# SL series



## Options



Smooth Area for Graphic Overlays or Membrane Keypads



Textured Area for Consistent Surface



PCB Mounting Bosses

## Accessory



Mounting Boss Screws are Available for Purchase (4-24 X 1/4 Inch Thread Forming Screw) Bag of 100, \$2.50

## Enclosure Features and Options

The versatility of this series of slender profile electronic enclosures allows it to be used as a handheld or general use enclosure. Sleek design is ideal for today's surface mount PCB technology.

Item Number	Material: Flame Retardant ABS		Case Styles		PC Board Mounting Bosses Optional	Screw-together Closure	Standard Colors		
	UL94-5VA <sup>^</sup>	UL94V-0	Flush/ textured	Recessed/ smooth			Black	Bone	Gray
SL-30P <sup>^^</sup>	✓	✓	✓	✓	✓	✓	✓	✓	✓
SL-42P	✓	✓	✓	✓	✓	✓	✓	✓	✓
SL-53P	✓	✓	✓	✓	✓	✓	✓	✓	✓
SL-57P	✓	✓	✓	✓	✓	✓	✓	✓	✓
SL-64P	✓	✓	✓	✓	✓	✓	✓	✓	✓
SL-68P	✓	✓	✓	✓	✓	✓	✓	✓	✓

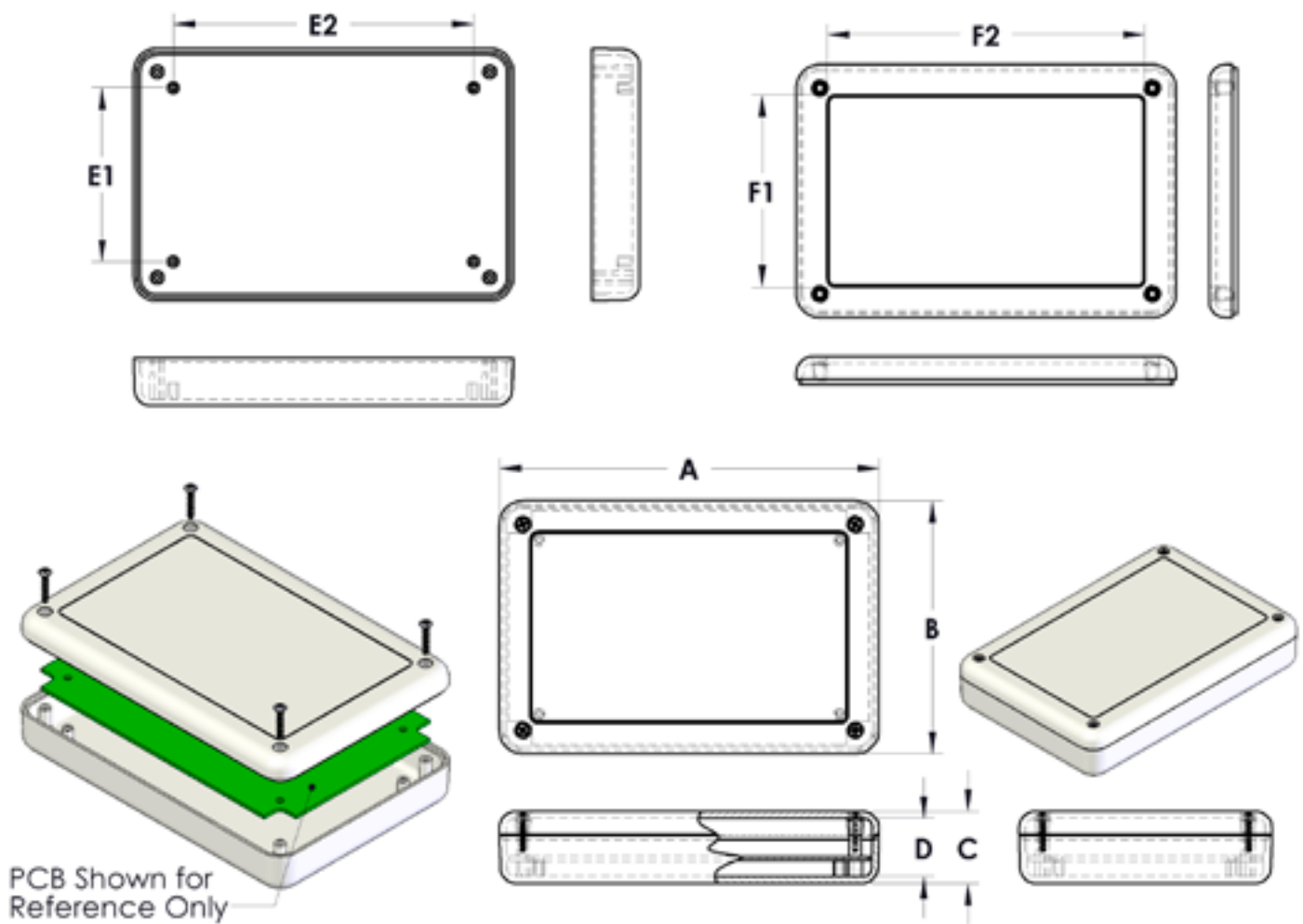
<sup>^</sup>UL94-5VA requires flush, textured cover option

<sup>^^</sup>SL-30P has an optional recessed, smooth area for graphic overlays on the base also

NOTE: All SL enclosures include case, cover and screws for enclosure assembly.

## Customize Your Enclosure? See page 5

26 Buy online at [polycase.com](http://polycase.com) • Call 800-248-1233 or 440-934-0444



Dimensions in inches

Item Number	Length A	Width B	Height C	Inside Depth D	PCB Bosses		Mtg. Boss Height	Graphic Overlay	
					E1	E2		F1	F2
SL-30P	4.000	2.030	1.125	0.900	0.971	2.938	0.250	1.188 X 3.156	
SL-42P	4.250	2.625	1.265	1.050	1.375	3.000	0.250	1.655 X 3.280	
SL-53P	5.625	3.250	1.150	0.930	2.000	4.375	0.250	2.280 X 4.655	
SL-57P	5.625	3.250	1.375	1.160	2.000	4.375	0.250	2.280 X 4.655	
SL-64P	6.015	4.010	1.140	0.925	2.755	4.760	0.250	3.040 X 5.030	
SL-68P	6.015	4.010	1.500	1.290	2.755	4.760	0.250	3.040 X 5.030	

Enclosure includes case, cover and screws for enclosure assembly

**WHEN ORDERING, PLEASE SPECIFY:**

1. Item Number
2. PC Board Mounting Bosses – With or without mounting bosses
3. Case Style – Flush, textured or 0.030" recessed, smooth area
4. Base Style – Recessed, smooth or flush, textured area on the base (SL-30P only)
5. Bag of 100 Mounting Boss Screws – Specify Yes or No (\$2.50/Bag)
6. Color – Black, Bone or Gray

**Customize Your Enclosure? See page 5**

**Buy online at [polycase.com](http://polycase.com) • Call 800-248-1233 or 440-934-0444**

# SL series

WITH MOUNTING FLANGES



## Options



Smooth Area for Graphic Overlays or Membrane Keypads



Textured Area for Consistent Surface



PCB Mounting Bosses

## Accessory



Mounting Boss Screws are Available for Purchase (4-24 X 1/4 Inch Thread Forming Screw) Bag of 100, \$2.50

## Enclosure Features and Options

The versatility of this series of slender profile electronic enclosures allows it to be used as a wall-mount or general use enclosure. Sleek design is ideal for today's surface mount PCB technology.

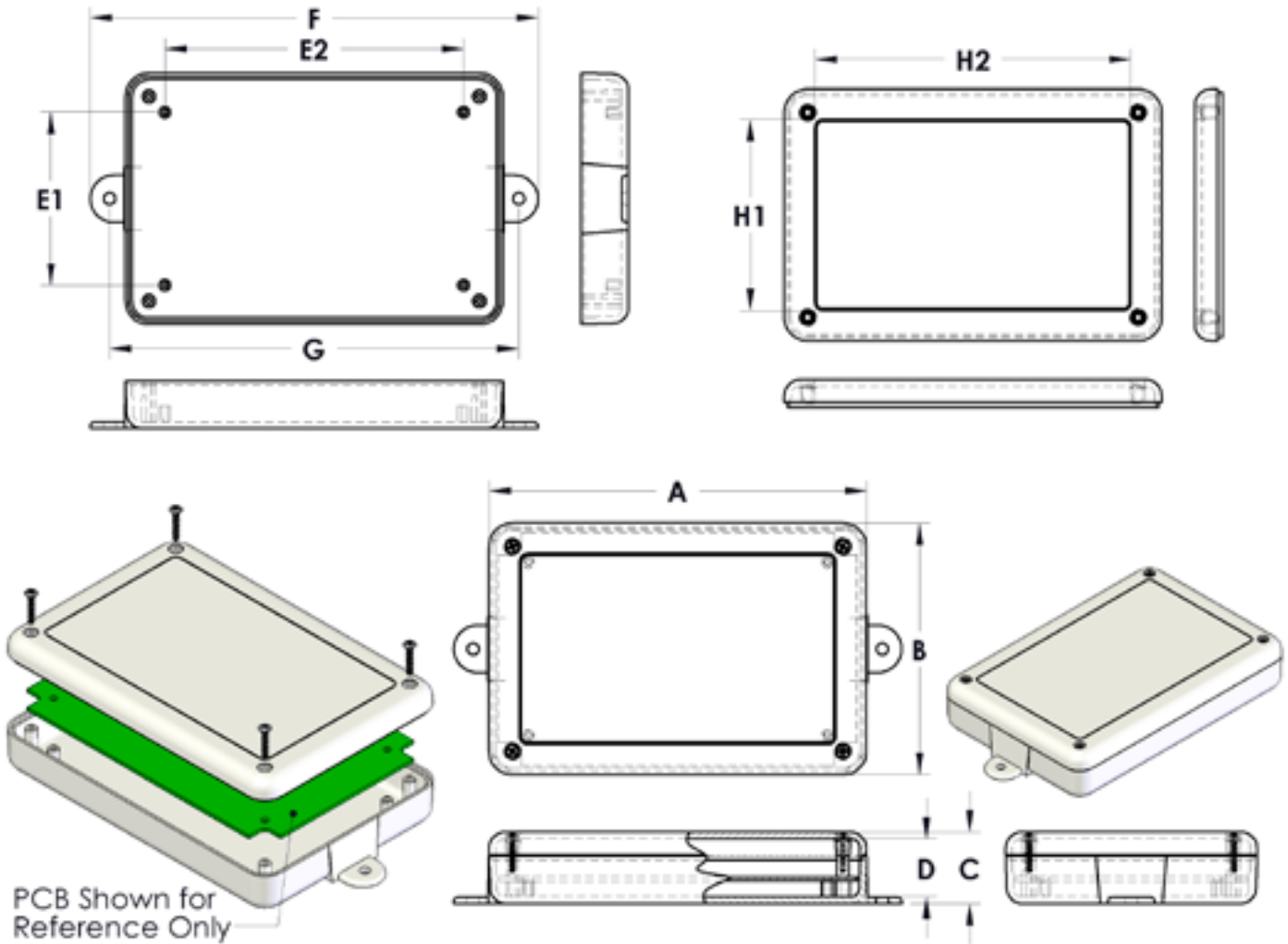
Item Number	Material: Flame Retardant ABS		Case Styles		PC Board Mounting Bosses Optional	Screw-together Closure	Standard Colors		
	UL94-5VA <sup>^</sup>	UL94V-0	Flush/ textured	Recessed/ smooth			Black	Bone	Gray
SL-30F	✓	✓	✓	✓	✓	✓	✓	✓	✓
SL-42F	✓	✓	✓	✓	✓	✓	✓	✓	✓
SL-53F	✓	✓	✓	✓	✓	✓	✓	✓	✓
SL-57F	✓	✓	✓	✓	✓	✓	✓	✓	✓
SL-64F	✓	✓	✓	✓	✓	✓	✓	✓	✓
SL-68F	✓	✓	✓	✓	✓	✓	✓	✓	✓

<sup>^</sup>UL94-5VA requires flush, textured cover option

NOTE: All SL enclosures include case, cover and screws for enclosure assembly.

## Customize Your Enclosure? See page 5

28 Buy online at [polycase.com](http://polycase.com) • Call 800-248-1233 or 440-934-0444



Dimensions in inches

Item Number	Length A	Width B	Height C	Inside Depth D	PCB Bosses		Mtg. Boss Height	Mtg. Flange Length F	Mtg. Flange Holes G	Graphic Overlay	
					E1	E2				H1	H2
SL-30F	4.000	2.030	1.125	0.900	0.971	2.938	0.250	5.110	4.500	1.188 X 3.156	
SL-42F	4.250	2.625	1.265	1.050	1.375	3.000	0.250	5.365	4.755	1.655 X 3.280	
SL-53F	5.625	3.250	1.150	0.930	2.000	4.375	0.250	6.750	6.130	2.280 X 4.655	
SL-57F	5.625	3.250	1.375	1.160	2.000	4.375	0.250	6.750	6.130	2.280 X 4.655	
SL-64F	6.015	4.010	1.140	0.925	2.755	4.760	0.250	7.140	6.520	3.040 X 5.030	
SL-68F	6.015	4.010	1.500	1.290	2.755	4.760	0.250	7.140	6.520	3.040 X 5.030	

Enclosure includes case, cover and screws for enclosure assembly

WHEN ORDERING, PLEASE SPECIFY:

1. Item Number
2. PC Board Mounting Bosses – With or without mounting bosses
3. Case Style – Flush, textured or 0.030" recessed, smooth area
4. Bag of 100 Mounting Boss Screws – Specify Yes or No (\$2.50/Bag)
5. Color – Black, Bone or Gray

**Customize Your Enclosure? See page 5**

**Buy online at [polycase.com](http://polycase.com) • Call 800-248-1233 or 440-934-0444**