

RW series

Options



Smooth Area for Graphic Overlays or Membrane Key pads

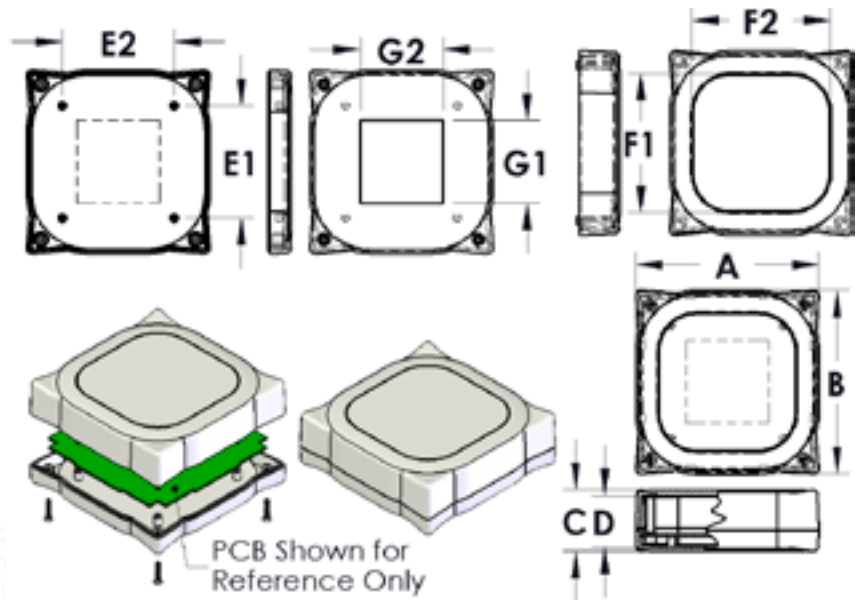


Textured Area for Consistent Surface

Accessory



Mounting Boss Screws are Available for Purchase (4-24 X 1/4 Inch Thread Forming Screw) Bag of 100, \$2.50



Enclosure Features and Options

Desktop/instrument electronic enclosure with unique design: four equal sides allow the RW to either lay flat, or be placed upright for a narrow, space-saving design.

Item Number	Material:	Case Styles		Base Style	PC Board Mounting Bosses	Screw-together Closure	Standard Colors		
	Flame retardant ABS Rated UL94-5VA	Flush/textured	Recessed/smooth	Recessed Area			Black	Bone	Gray
RW-45	✓	✓	✓	✓	✓	✓	✓	✓	✓

Dimensions in inches

Item Number	Length A	Width B	Height C	Inside Depth D	PCB Bosses		Mtg. Boss Height	Graphic Overlay Case		Graphic Overlay Base	
					E1	E2		F1	F2	G1	G2
RW-45	4.500	4.500	1.500	1.260	2.750	2.750	0.250	3.406	x 3.406	2.031	x 2.031

Enclosure includes case, base and screws for enclosure assembly

WHEN ORDERING, PLEASE SPECIFY:

1. Item Number
2. Case Style – Flush, textured or 0.030" recessed, smooth area
3. Bag of 100 Mounting Boss Screws – Specify Yes or No (\$2.50/Bag)
4. Color – Black, Bone or Gray

Customize Your Enclosure? See page 5

Buy online at polycase.com • Call 800-248-1233 or 440-934-0444