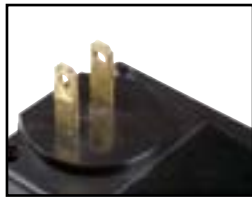




## Options



Textured Area for Consistent Surface



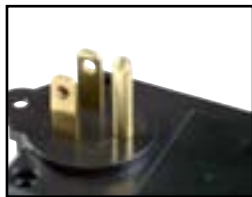
2-pole Style



Molded-in Hold-down Tab to Semi-permanently Secure to Wall Receptacle



Smooth Area for Graphic Overlays or Membrane Keypads (PM2425T0 only)



3-pole Style



1 or 2 Holes Molded into Face For Snap-in Receptacles (PM2425T0 only)

## Accessory



Mounting Boss Screws are Available for Purchase (4-24 X 1/4 Inch Thread Forming Screw) Bag of 100, \$2.50

## Enclosure Features and Options

AC wall plug electronic enclosures. Available 2-pole or 3-pole (grounded) 15 AMP 120 VAC plug configurations.

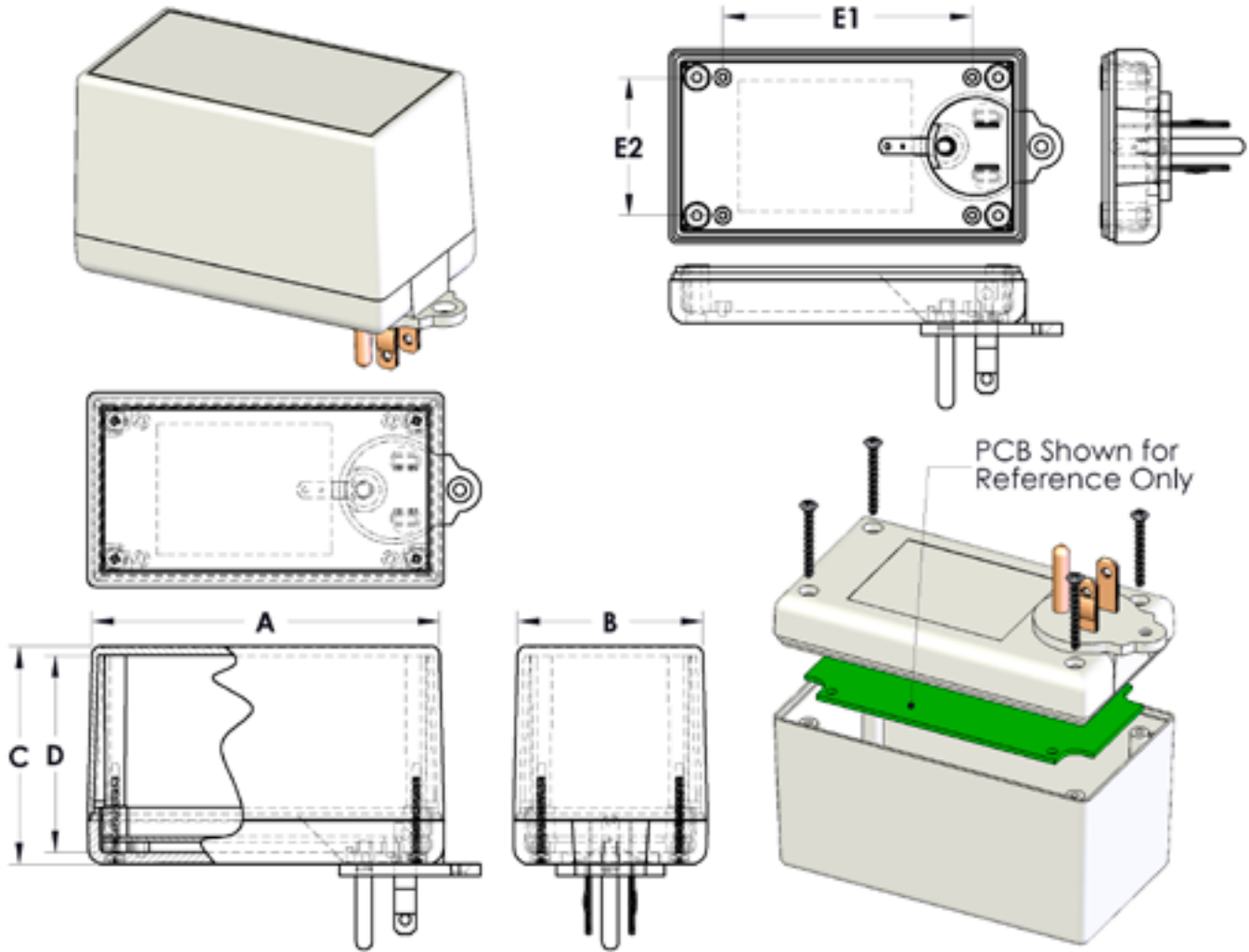
| Item No. | Material:<br>Flame Retardant<br>ABS UL94V-0 | Base Options:^ |                 | Optional Molded-in Hold-down Tab | Optional Recessed Smooth Area^^ | Optional 1 or 2 Holes Molded into Face (For Snap-in Receptacles) | Screw-together Closure | PC Board Mounting Bosses | Standard Colors |      |      |
|----------|---|----------------|-----------------|----------------------------------|---------------------------------|--|------------------------|--------------------------|-----------------|------|------|
|          |   | 2-Pole         | 3-Pole Grounded |                                  |                                 |  |                        |                          | Black           | Bone | Gray |
| PM2314T0 | ✓   | ✓              | ✓               | ✓                                |                                 |  | ✓                      | ✓                        | ✓               | ✓    | ✓    |
| PM2320T0 | ✓   | ✓              | ✓               | ✓                                |                                 |  | ✓                      | ✓                        | ✓               | ✓    | ✓    |
| PM2414T0 | ✓   | ✓              | ✓               | ✓                                |                                 |  | ✓                      | ✓                        | ✓               | ✓    | ✓    |
| PM2425T0 | ✓   | ✓              | ✓               | ✓                                | ✓                               | ✓  | ✓                      | ✓                        | ✓               | ✓    | ✓    |

^Both styles are 15 AMP 120 VAC plug configurations

^^Recessed, smooth area on case for graphic overlays or membrane keypads

NOTE: All PS enclosures include case, base and screws for enclosure assembly.

## Customize Your Enclosure? See page 5



Dimensions in inches

| Item Number | Length A | Width B | Height C | Inside Depth D | PCB Bosses |       | Mtg. Boss Height |
|-------------|----------|---------|----------|----------------|------------|-------|------------------|
|             |          |         |          |                | E1         | E2    |                  |
| PM2314T0    | 3.000    | 2.000   | 1.400    | 1.200          | 1.875      | 1.625 | 0.130            |
| PM2320T0    | 3.000    | 2.000   | 2.000    | 1.800          | 1.875      | 1.625 | 0.130            |
| PM2414T0    | 4.000    | 2.125   | 1.400    | 1.200          | 2.880      | 1.595 | 0.120            |
| PM2425T0    | 4.000    | 2.125   | 2.500    | 2.275          | 2.880      | 1.595 | 0.120            |

Enclosure includes case, base and screws for enclosure assembly

**WHEN ORDERING, PLEASE SPECIFY:**

1. Item Number
2. Poles – 2-pole or 3-pole
3. Tab – With or without hold-down tab
4. Holes molded into face – Specify 0, 1 or 2 holes (PM2425 only)
5. Recessed area – Specify Yes or No (PM2425 only)
6. Bag of 100 Mounting Boss Screws – Specify Yes or No (\$2.50/Bag)
7. Color – Black, Bone or Gray