

LP series

Options



Optional Mounting Bosses



Smooth Area for Graphics



Textured Area for Consistent Surface



Optional Clear Cover
(May Require a Minimum Order Quantity)

Accessory



Mounting Boss Screws are Available for Purchase (4-24 X 1/4 Inch Thread Forming Screw) Bag of 100, \$2.50



Enclosure Features and Options

General use ABS plastic enclosure with screw-on cover. Available in a wide range of sizes. Optional PC board mounting bosses.

Item No.	Material: Flame Retardant ABS		Cover Styles			PC Board Mounting Bosses		Screw-together Closure	Standard Colors		
	UL94-5VA [^]	UL94V-0	Flush/textured	Recessed/smooth	Clear Cover Option ^{^^}	Option	Standard		Black	Bone	Gray
LP-11P	✓	✓	✓	✓	✓	✓		✓	✓	✓	✓
LP-21P	✓	✓	✓	✓	✓	✓		✓	✓	✓	✓
LP-31P	✓	✓	✓	✓	✓	✓		✓	✓	✓	✓
LP-35P		✓	✓		✓		✓	✓	✓	✓	✓
LP-41P	✓	✓	✓	✓	✓	✓		✓	✓	✓	✓
LP-51P	✓	✓	✓	✓	✓	✓		✓	✓	✓	✓
LP-55P		✓	✓		✓		✓	✓	✓	✓	✓
LP-61P	✓	✓	✓	✓	✓	✓		✓	✓	✓	✓
LP-70P		✓	✓		✓		✓	✓	✓	✓	✓

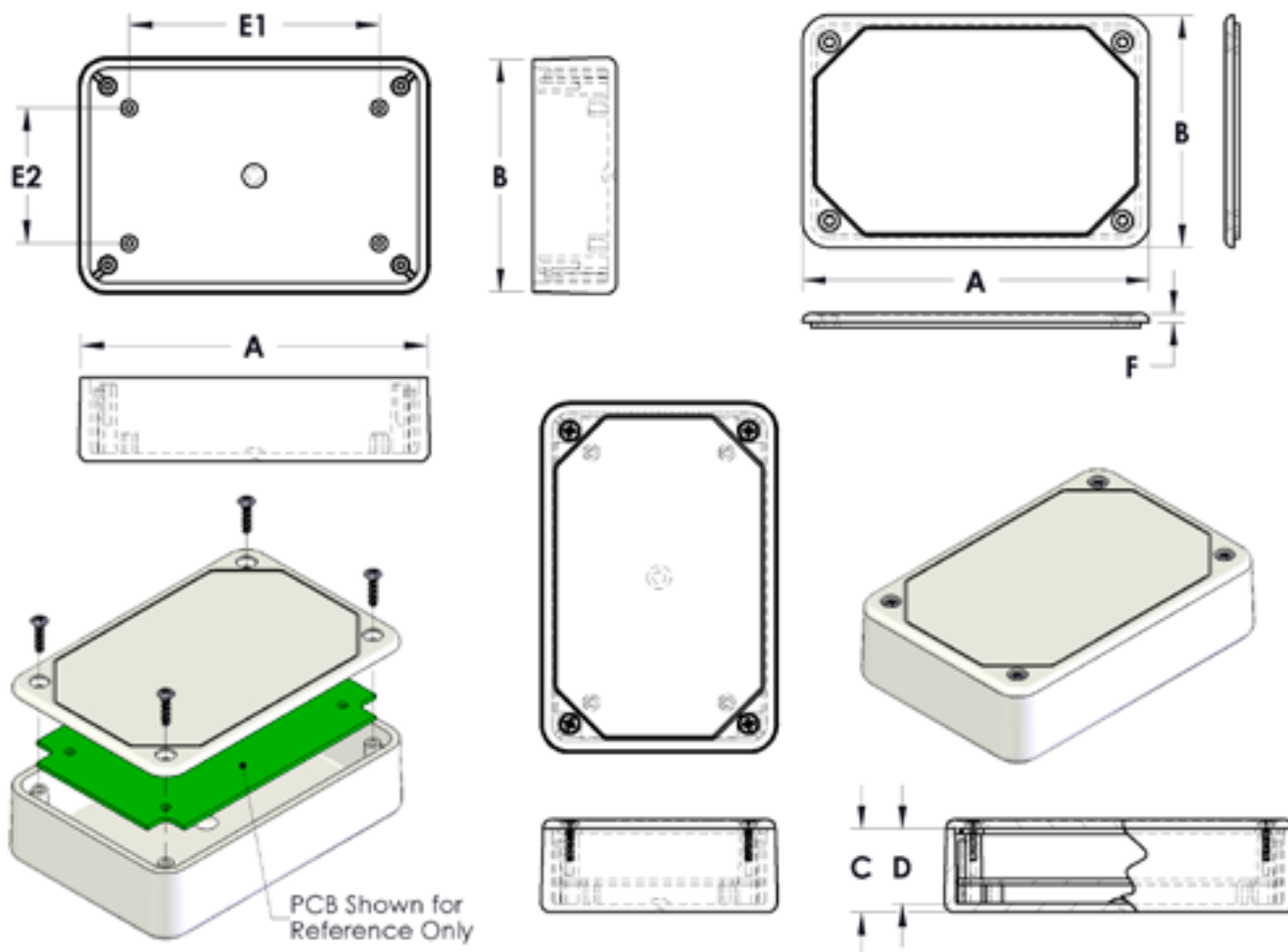
[^] UL94-5VA rating requires flush textured cover option

^{^^} Clear cover is molded polycarbonate material with a flame rating of UL94V-2

NOTE: All LP enclosures include case, cover and screws for enclosure assembly.

Customize Your Enclosure? See page 5

30 Buy online at polycase.com • Call 800-248-1233 or 440-934-0444



Dimensions in inches

Item Number	Length A	Width B	Height C	Inside Depth D	PCB Bosses		Mtg. Boss Height	Cover Thickness F
					E1	E2		
LP-11P	2.500	2.500	0.900	0.800	1.375	1.375	0.230	0.100
LP-21P	3.290	2.420	1.000	0.900	2.125	1.250	0.230	0.100
LP-31P	4.165	2.800	1.000	0.900	3.000	1.625	0.230	0.100
LP-35P	4.250	3.000	1.375	1.305	3.160	1.910	0.250	0.070
LP-41P	3.300	3.300	1.250	1.150	2.125	2.125	0.230	0.100
LP-51P	4.550	3.300	1.250	1.150	3.375	2.125	0.230	0.100
LP-55P	5.000	3.500	1.500	1.430	3.910	2.410	0.250	0.070
LP-61P	5.560	3.800	1.250	1.150	4.375	2.625	0.230	0.100
LP-70P	5.500	4.250	1.750	1.660	4.125	2.875	0.230	0.080

Enclosure includes case, cover and screws for enclosure assembly

WHEN ORDERING, PLEASE SPECIFY:

1. Item Number
2. PC Board Mounting Bosses – With or without mounting bosses. LP-35P, LP-55P & LP-70P are only available with PC board mounting bosses.
3. Cover Style – Flush, textured or recessed, smooth area. LP-35P, LP-55P & LP-70P are only available with a flush, textured cover. For a clear cover, ask your Customer Service Representative.
4. Bag of 100 PCB Mounting Boss Screws – Specify Yes or No (\$2.50/Bag)
5. Color – Black, Bone or Gray

Customize Your Enclosure? See page 5

Buy online at *polycase.com* • Call 800-248-1233 or 440-934-0444

LP series

WITH MOUNTING FLANGES

Options



Optional Mounting Bosses



Smooth Area for Graphics



Textured Area for Consistent Surface



Optional Clear Cover
(May Require a Minimum Order Quantity)

Accessory



Mounting Boss Screws are Available for Purchase (4-24 X 1/4 Inch Thread Forming Screw) Bag of 100, \$2.50



Enclosure Features and Options

General use ABS plastic enclosure with screw-on cover. Available in a wide range of sizes. Optional PC board mounting bosses.

Item No.	Material: Flame Retardant ABS		Cover Styles			PC Board Mounting Bosses		Screw-together Closure	Standard Colors		
	UL94-5VA [^]	UL94V-0	Flush/textured	Recessed/smooth	Clear Cover Option ^{^^}	Option	Standard		Black	Bone	Gray
LP-11F	✓	✓	✓	✓	✓	✓		✓	✓	✓	✓
LP-21F	✓	✓	✓	✓	✓	✓		✓	✓	✓	✓
LP-31F	✓	✓	✓	✓	✓	✓		✓	✓	✓	✓
LP-35F		✓	✓		✓		✓	✓	✓	✓	✓
LP-41F	✓	✓	✓	✓	✓	✓		✓	✓	✓	✓
LP-51F	✓	✓	✓	✓	✓	✓		✓	✓	✓	✓
LP-55F		✓	✓		✓		✓	✓	✓	✓	✓
LP-61F	✓	✓	✓	✓	✓	✓		✓	✓	✓	✓
LP-70F		✓	✓		✓		✓	✓	✓	✓	✓

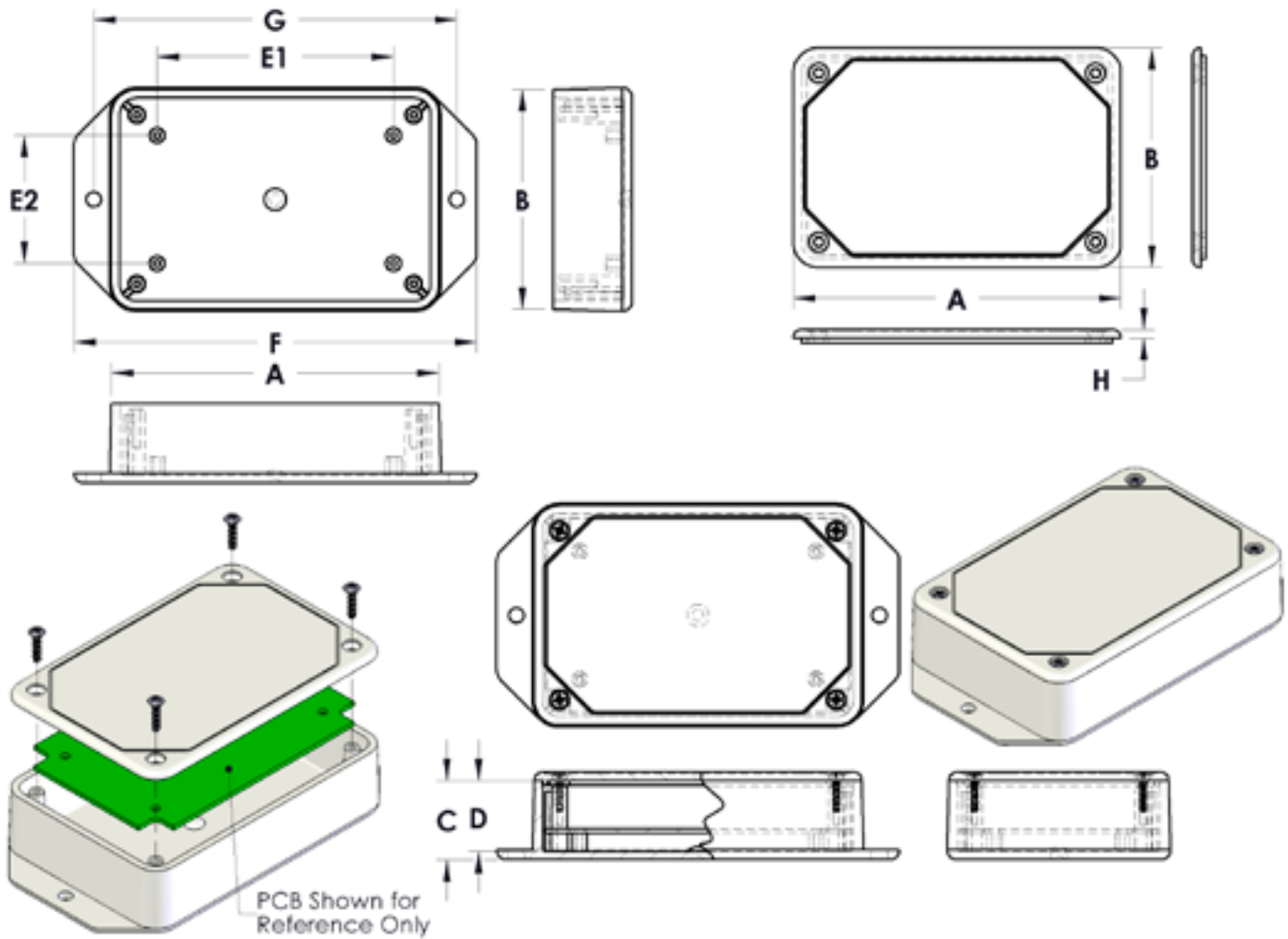
[^] UL94-5VA rating requires flush textured cover option

^{^^} Clear cover is molded polycarbonate material with a flame rating of UL94V-2

NOTE: All LP enclosures include case, cover and screws for enclosure assembly.

Customize Your Enclosure? See page 5

32 Buy online at polycase.com • Call 800-248-1233 or 440-934-0444



Dimensions in inches

Item Number	Length A	Width B	Height C	Inside Depth D	PCB Bosses		Mtg. Boss Height	Mtg. Flange Length F	Mtg. Flange Holes G	Cover Thickness H
					E1	E2				
LP-11F	2.500	2.500	0.900	0.800	1.375	1.375	0.230	3.500	3.000	0.100
LP-21F	3.290	2.420	1.000	0.900	2.125	1.250	0.230	4.375	3.875	0.100
LP-31F	4.165	2.800	1.000	0.900	3.000	1.625	0.230	5.125	4.625	0.100
LP-35F	4.250	3.000	1.375	1.305	3.160	1.910	0.250	5.250	4.750	0.070
LP-41F	3.300	3.300	1.250	1.150	2.125	2.125	0.230	4.250	3.750	0.100
LP-51F	4.550	3.300	1.250	1.150	3.375	2.125	0.230	5.500	5.000	0.100
LP-55F	5.000	3.500	1.500	1.430	3.910	2.410	0.250	6.000	5.500	0.070
LP-61F	5.560	3.800	1.250	1.150	4.375	2.625	0.230	6.500	6.000	0.100
LP-70F	5.500	4.250	1.750	1.660	4.125	2.875	0.230	6.600	6.090	0.080

Enclosure includes case, cover and screws for enclosure assembly

WHEN ORDERING, PLEASE SPECIFY:

1. Item Number
2. PC Board Mounting Bosses – With or without mounting bosses. LP-35F, LP-55F & LP-70F are only available with PC board mounting bosses.
3. Cover Style – Flush, textured or recessed, smooth area. LP-35F, LP-55F & LP-70F are only available with a flush, textured cover. For a clear cover, ask your Customer Service Representative.
4. Bag of 100 PCB Mounting Boss Screws – Specify Yes or No (\$2.50/Bag)
5. Color – Black, Bone or Gray

Customize Your Enclosure? See page 5

Buy online at polycase.com • Call 800-248-1233 or 440-934-0444