

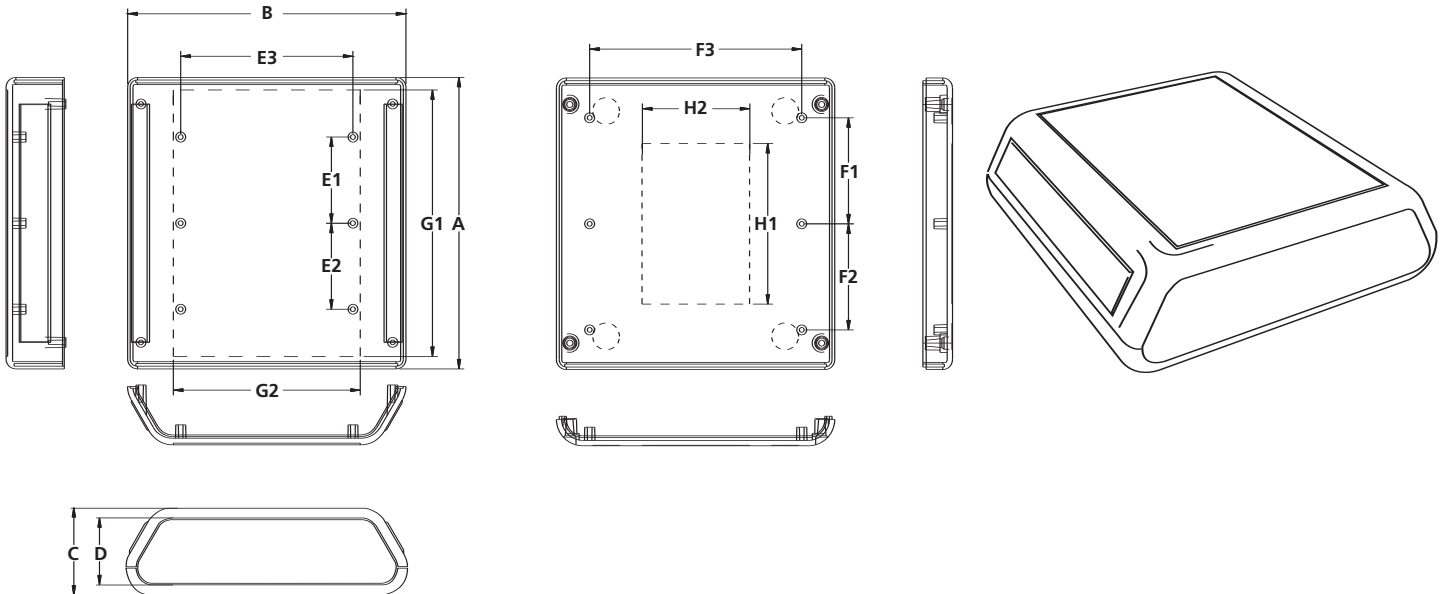


Order On Line
www.polycase.com
sales@polycase.com
800-248-1233
 Fax: 440-934-0088

PLASTIC ENCLOSURES FOR ELECTRONICS

JB Product Features

Material	Design	Additional Info
<ul style="list-style-type: none"> Material: Flame retardant ABS plastic Flame Rating: UL's best flame rating of 94-5VA Surface: Textured finish 	<ul style="list-style-type: none"> PC Board Mounting: Six PC board mounting bosses in the case and six PC board mounting bosses in the base Closure: Case screws on to base Case Styles: Two styles – area on case surface may be flush, textured or 0.030" recessed, smooth area for graphic overlays or membrane keypads Base: Recessed area for labeling I.D. End Panels: Removable end panels are easily modified for switches, displays and connectors 	<ul style="list-style-type: none"> Colors: Black, bone or gray Insert mold capability allows for custom molding without expensive tooling



Catalog Number	Length A	Width B	Height C	Inside Depth D	PCB Bosses Case			PCB Bosses Base			Mtg. Boss Height	Graphic Overlay Case		Graphic Overlay Base	
					E1	E2	E3	F1	F2	F3		G1	G2	H1	H2
JB-35	5.000	3.800	1.500	1.270	1.625 X 1.625 X 1.750			1.750 X 1.750 X 2.500			0.250	4.530 X 2.030		3.030 X 2.030	
JB-55	5.500	5.250	1.630	1.400	1.625 X 1.625 X 3.250			2.000 X 2.000 X 4.000			0.250	5.030 X 3.530		3.030 X 2.030	
JB-65	6.750	6.250	1.630	1.400	2.250 X 2.250 X 4.250			2.625 X 2.625 X 5.000			0.250	6.250 X 4.530		3.030 X 2.030	

Dimensions are nominal and in inches
 Mounting boss screws are available for purchase (4-24 x 1/4 inch thread forming screw) Bag of 100, \$2.50

Enclosure includes case, base, end panels and screws for enclosure assembly
WHEN ORDERING, PLEASE SPECIFY:

- Catalog Number**
- Case Style** – Flush, textured or 0.030" recessed, smooth area
- Mounting Boss Screws** – Specify Yes or No
- Color** – Black, Bone or Gray