

# JB series



## Options



Smooth Area for Graphic Overlays or Membrane Keypads



Textured Area for Consistent Surface

## Feature



End Panel (2): Easily Modified for Switches, Displays and Connectors

## Accessory



Mounting Boss Screws are Available for Purchase (4-24 X 1/4 Inch Thread Forming Screw) Bag of 100, \$2.50

## Enclosure Features and Options

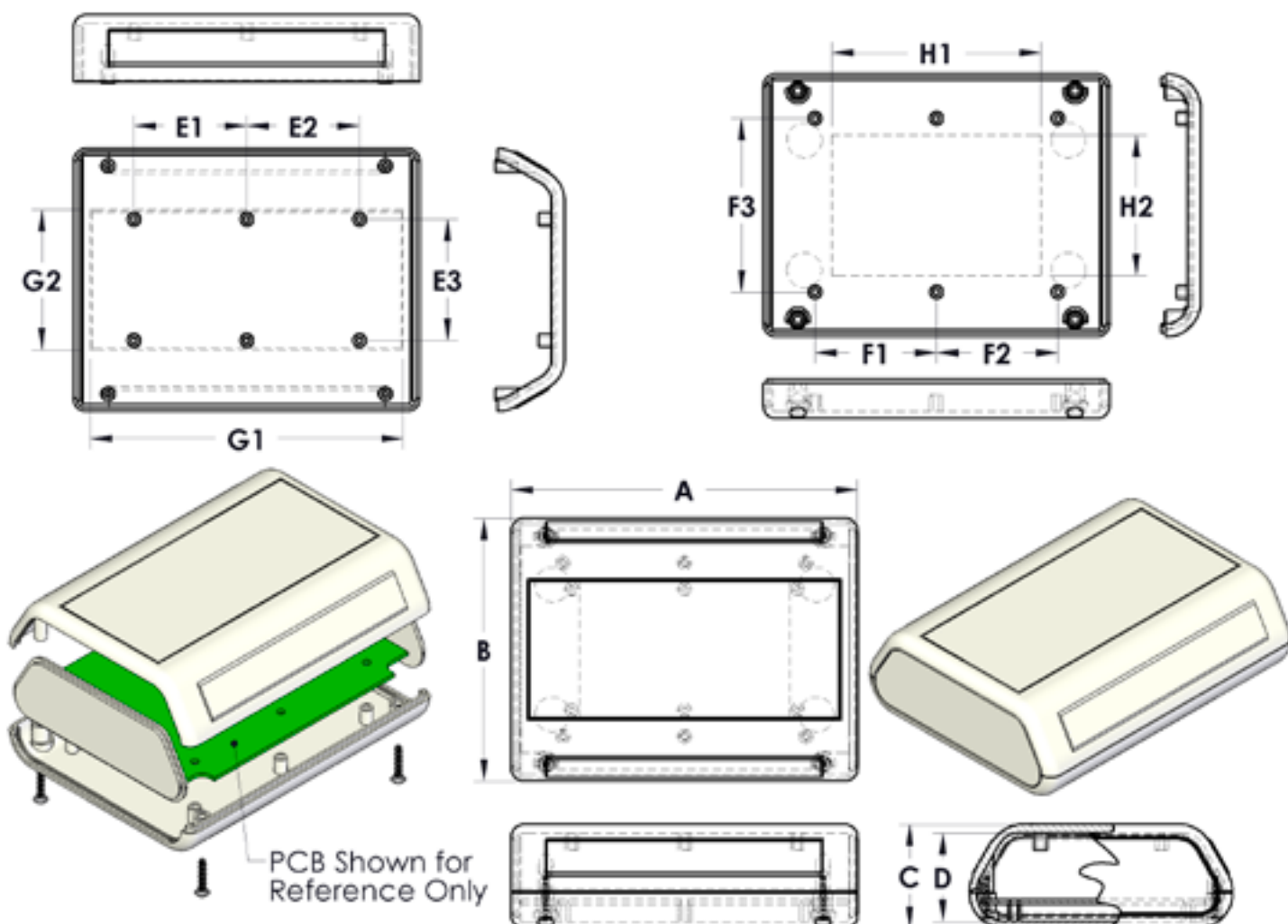
Plastic electronic enclosure perfect as a desktop or instrument case. Two removable end panels are easily modified for switches, displays and connectors.

Item Number	Material: Flame Retardant ABS Rated UL94-5VA	Case Styles		Base Style Recessed Area	End Panels Removable	PC Board Mounting Bosses	Screw-together Closure	Insert Mold Capability	Standard Colors		
		Flush/textured	Recessed/smooth						Black	Bone	Gray
JB-35	✓	✓	✓	✓	✓	✓	✓	✓	✓	✓	
JB-55	✓	✓	✓	✓	✓	✓	✓	✓	✓	✓	
JB-65	✓	✓	✓	✓	✓	✓	✓	✓	✓	✓	

NOTE: All JB enclosures include case, base, two end panels and screws for enclosure assembly

## Customize Your Enclosure? See page 5

14 Buy online at [polycase.com](http://polycase.com) • Call 800-248-1233 or 440-934-0444



Dimensions in inches

Item Number	Length A	Width B	Height C	Inside Depth D	PCB Bosses Case			PCB Bosses Base			Mtg. Boss Height	Graphic Overlay Case		Graphic Overlay Base	
					E1	E2	E3	F1	F2	F3		G1	G2	H1	H2
JB-35	5.000	3.800	1.500	1.270	1.625	1.625	1.750	1.750	1.750	2.500	0.250	4.530 x 2.030	3.030 x 2.030		
JB-55	5.500	5.250	1.630	1.400	1.625	1.625	3.250	2.000	2.000	4.000	0.250	5.030 x 3.530	3.030 x 2.030		
JB-65	6.750	6.250	1.630	1.400	2.250	2.250	4.250	2.625	2.625	5.000	0.250	6.250 x 4.530	3.030 x 2.030		

Enclosure includes case, base, end panels and screws for enclosure assembly

WHEN ORDERING, PLEASE SPECIFY:

1. Item Number
2. Case Style – Flush, textured or 0.030" recessed, smooth area
3. Bag of 100 Mounting Boss Screws – Specify Yes or No (\$2.50/Bag)
4. Color – Black, Bone or Gray

**Customize Your Enclosure? See page 5**

**Buy online at [polycase.com](http://polycase.com) • Call 800-248-1233 or 440-934-0444**