

ID series

Options



Smooth Area for Graphic Overlays or Membrane Keypads (ID-2420P & ID-3420P only)

Feature



Textured Area for Consistent Surface

Accessory



Mounting Boss Screws are Available for Purchase (4-24 X 1/4 Inch Thread Forming Screw) Bag of 100, \$2.50



Enclosure Features and Options

General use plastic electronic enclosures. Base has PC board mounting bosses.

Item No.	Material: Flame retardant ABS		Surface Area Option:	Screw-together Closure	PC Board Mounting Bosses	Insert Mold Capability	Standard Colors		
	UL94-5VA	UL94V-0	Recessed, Smooth^^				Black	Bone	Gray
ID-1741P		✓		✓	✓		✓	✓	✓
ID-2309P		✓		✓	✓		✓	✓	✓
ID-2315P		✓		✓	✓		✓	✓	✓
ID-2409P		✓		✓	✓		✓	✓	✓
ID-2420P		✓	✓	✓	✓	✓	✓	✓	✓
ID-3315P		✓		✓	✓		✓	✓	✓
ID-3420P^	✓		✓	✓	✓	✓	✓	✓	✓

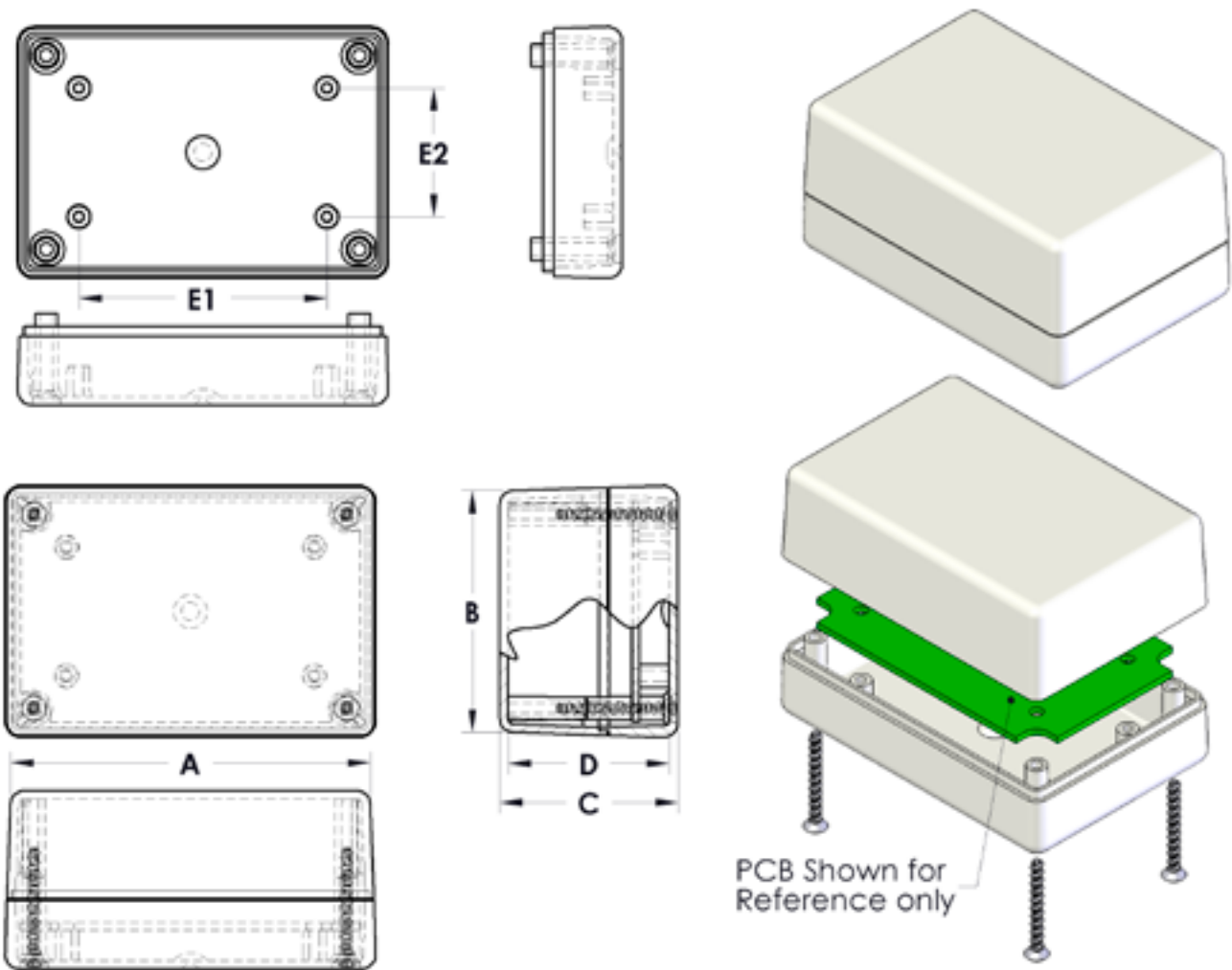
^ID-3420P flame rated UL94V-0 with smooth, recessed surface option.

^^Recessed, smooth area on case for graphic overlays or membrane keypads

NOTE: All ID enclosures include case, base and screws for enclosure assembly.

Customize Your Enclosure? See page 5

46 Buy online at polycase.com • Call 800-248-1233 or 440-934-0444



Dimensions in inches

Item Number	Length A	Width B	Height C	Inside Depth D	PCB Bosses		Mtg. Boss Height
					E1	E2	
ID-1741P	4.000	1.750	1.280	1.120	3.100	0.850	0.230
ID-2309P	3.030	2.030	1.490	1.350	2.080	1.080	0.250
ID-2315P	3.000	2.000	2.090	1.950	2.080	1.080	0.250
ID-2409P	4.060	2.190	1.500	1.350	2.900	1.025	0.230
ID-2420P	4.000	2.125	2.600	2.420	2.900	1.025	0.230
ID-3315P	3.000	3.000	2.100	1.940	2.100	2.100	0.230
ID-3420P	4.375	3.125	2.700	2.500	3.300	2.050	0.250

Enclosure includes case, base and screws for enclosure assembly

WHEN ORDERING, PLEASE SPECIFY:

1. Item Number
2. Recessed Area – Specify Yes or No (ID-2420P & ID-3420P only)
3. Bag of 100 Mounting Boss Screws – Specify Yes or No (\$2.50/Bag)
4. Color – Black, Bone or Gray

Customize Your Enclosure? See page 5

Buy online at polycase.com • Call 800-248-1233 or 440-934-0444

ID series

WITH MOUNTING FLANGES

Options



Smooth Area for Graphic Overlays or Membrane Keypads (ID-2420F & ID-3420F only)

Feature



Textured Area for Consistent Surface

Accessory



Mounting Boss Screws are Available for Purchase (4-24 X 1/4 Inch Thread Forming Screw) Bag of 100, \$2.50



Enclosure Features and Options

General use plastic electronic enclosures with mounting flanges. Base has PC board mounting bosses.

Item No.	Material: Flame retardant ABS		Surface Area Option:	Screw-together Closure	PC Board Mounting Bosses	Insert Mold Capability	Standard Colors		
	UL94-5VA	UL94V-0	Recessed, Smooth^^				Black	Bone	Gray
ID-1741F		✓		✓	✓		✓	✓	✓
ID-2309F		✓		✓	✓		✓	✓	✓
ID-2315F		✓		✓	✓		✓	✓	✓
ID-2409F		✓		✓	✓		✓	✓	✓
ID-2420F		✓	✓	✓	✓	✓	✓	✓	✓
ID-3315F		✓		✓	✓		✓	✓	✓
ID-3420F^	✓		✓	✓	✓	✓	✓	✓	✓

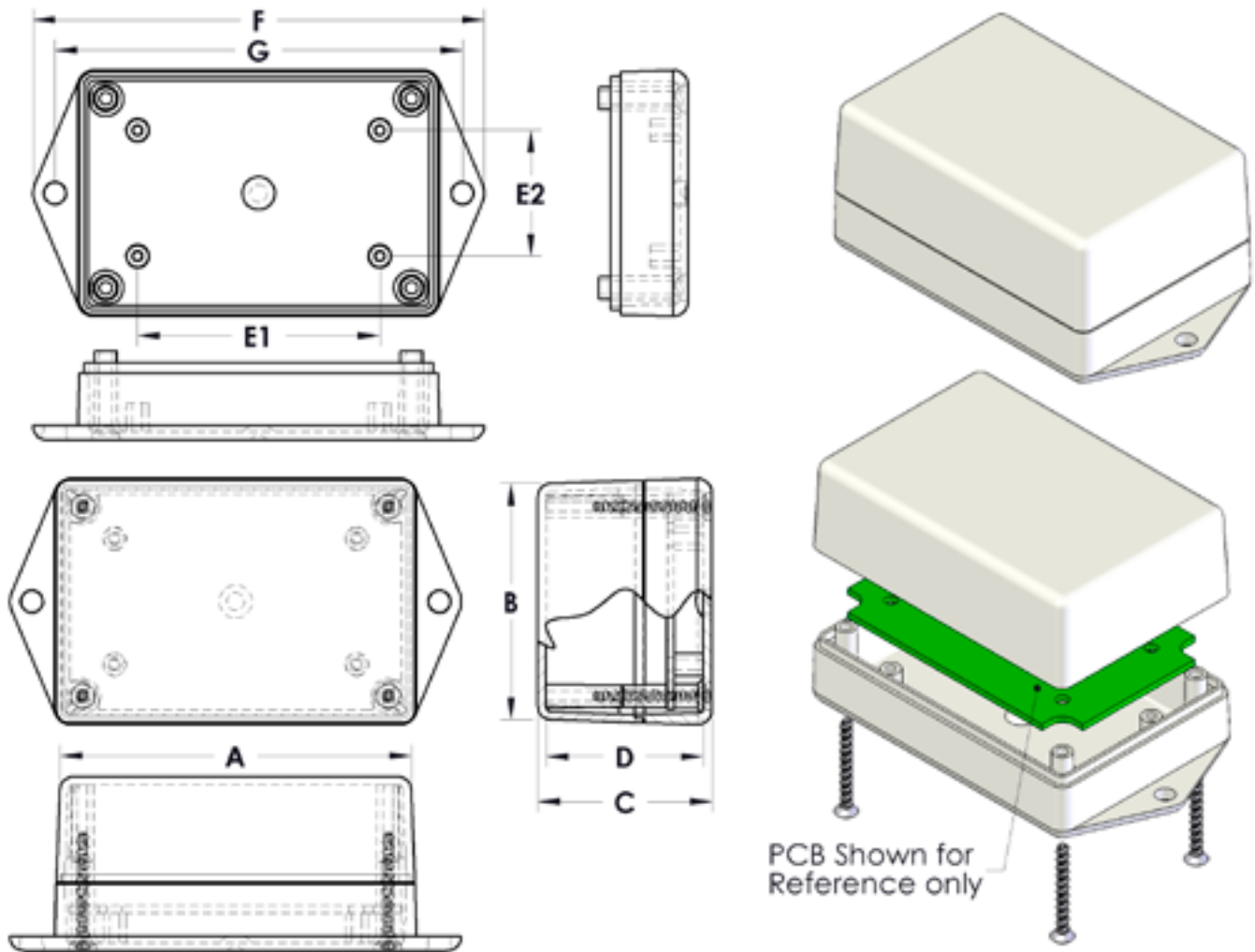
^ID-3420F flame rated UL94V-0 with smooth, recessed surface option.

^^Recessed, smooth area on case for graphic overlays or membrane keypads

NOTE: All ID enclosures include case, cover and screws for enclosure assembly.

Customize Your Enclosure? See page 5

48 Buy online at polycase.com • Call 800-248-1233 or 440-934-0444



Dimensions in inches

Item Number	Length A	Width B	Height C	Inside Depth D	PCB Bosses		Mtg. Boss Height	Mtg. Flange Length F	Mtg. Flange Holes G
					E1	E2			
ID-1741F	4.000	1.750	1.280	1.120	3.100	0.850	0.230	4.875	4.500
ID-2309F	3.030	2.030	1.490	1.350	2.080	1.080	0.250	3.875	3.500
ID-2315F	3.000	2.000	2.090	1.950	2.080	1.080	0.250	3.875	3.500
ID-2409F	4.060	2.190	1.500	1.350	2.900	1.025	0.230	4.875	4.500
ID-2420F	4.000	2.125	2.600	2.420	2.900	1.025	0.230	4.875	4.500
ID-3315F	3.000	3.000	2.100	1.940	2.100	2.100	0.230	3.875	3.500
ID-3420F	4.375	3.125	2.700	2.500	3.300	2.050	0.250	5.500	5.000 x 1.750

Enclosure includes case, base and screws for enclosure assembly

WHEN ORDERING, PLEASE SPECIFY:

1. Item Number
2. Recessed Area – Specify Yes or No (ID-2420F & ID-3420F only)
3. Bag of 100 Mounting Boss Screws – Specify Yes or No (\$2.50/Bag)
4. Color – Black, Bone or Gray

Customize Your Enclosure? See page 5

Buy online at polycase.com • Call 800-248-1233 or 440-934-0444