

FB-20 series

Features



Molded-in Key Ring



Conductive Contact on the Bottom of Each Button

Accessory



Battery Holder Available for Purchase, Fits 20mm Coin Cell Battery



Enclosure Features and Options

1 to 5 button ABS plastic key fob enclosure. Perfect for wireless remote controls.

Item No. [^]	Material: ABS Plastic	Battery Type: ^{^^} Coin Cell Lithium	Battery Holder (Accessory) Fits 20mm Coin Cell	PC Board Captured Between Standoffs ^{^^^}	Closure: Snap- together	Key Ring Molded-in	Standard Color Black with Gray Buttons
FB-20-1	✓	✓	✓	✓	✓	✓	✓
FB-20-2	✓	✓	✓	✓	✓	✓	✓
FB-20-3	✓	✓	✓	✓	✓	✓	✓
FB-20-4	✓	✓	✓	✓	✓	✓	✓
FB-20-5	✓	✓	✓	✓	✓	✓	✓

[^]Suffix denotes no. of buttons

^{^^}Battery not included

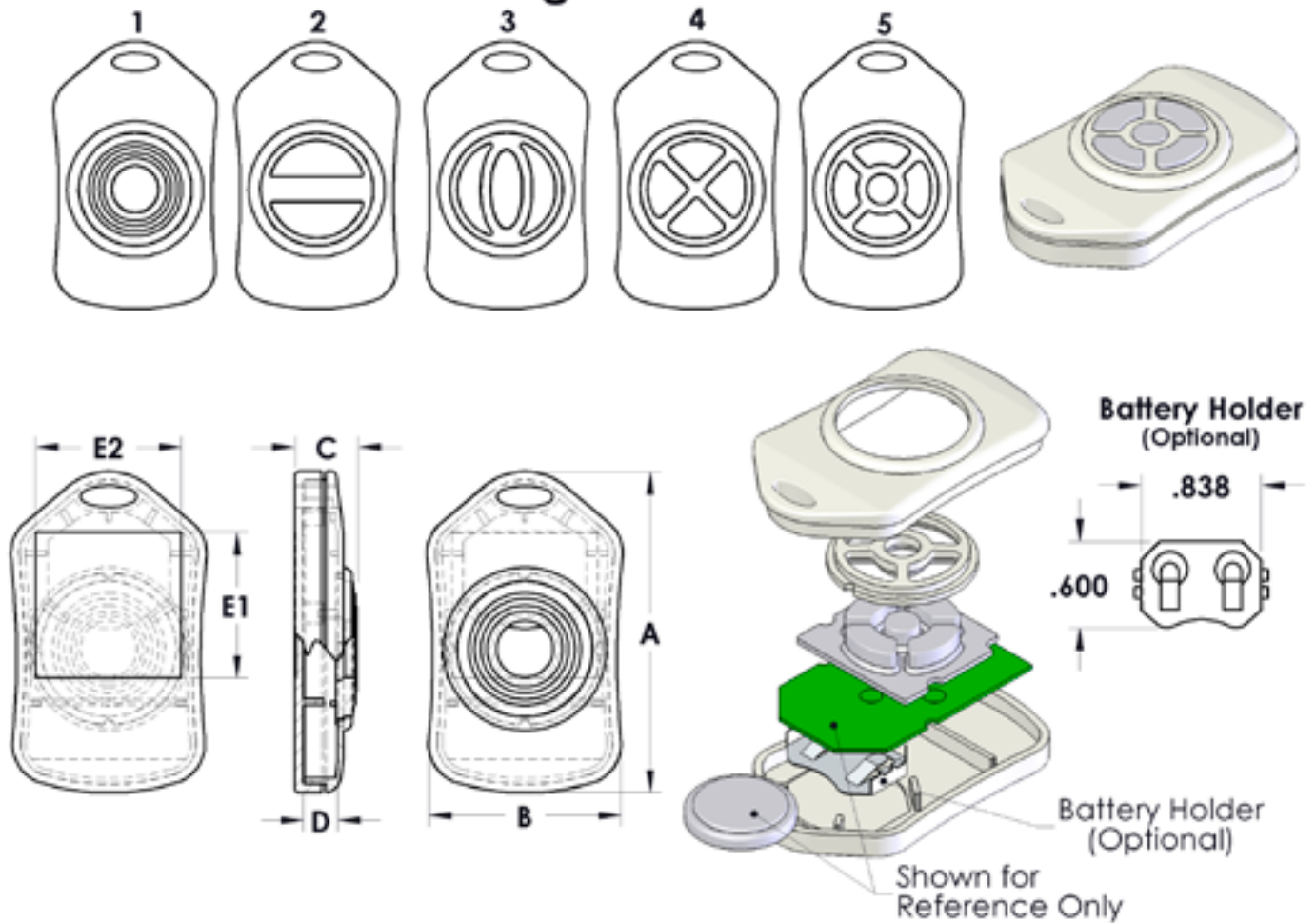
^{^^^}When unit is snapped together, PC board is captured between standoffs

NOTE: All FB-20 enclosures include case, base, button insert and rubber button keypad (battery not included; battery holder available for purchase)

Customize Your Enclosure? See page 5

20 Buy online at polycase.com • Call 800-248-1233 or 440-934-0444

Button Configurations



Dimensions in inches

Item Number	Length A	Width B	Height with Buttons	Inside Depth D	PCB Standoff Height	Graphic Overlay	
			C			E1	E2
FB-20-1	2.235	1.340	0.450	0.235	0.143	1.016 x 1.016	
FB-20-2	2.235	1.340	0.450	0.235	0.143	1.016 x 1.016	
FB-20-3	2.235	1.340	0.450	0.235	0.143	1.016 x 1.016	
FB-20-4	2.235	1.340	0.450	0.235	0.143	1.016 x 1.016	
FB-20-5	2.235	1.340	0.450	0.235	0.143	1.016 x 1.016	

Battery Holder (See dimensions above)

Enclosure includes case, base, button insert and rubber button keypad (battery not included)

WHEN ORDERING, PLEASE SPECIFY:

1. Item Number – Suffix denotes number of buttons
2. Battery Holder – Specify Yes or No

Customize Your Enclosure? See page 5

Buy online at polycase.com • Call 800-248-1233 or 440-934-0444