

# DC series



## Options



Smooth Area for Graphic Overlays or Membrane Keypads



Clear Covers (May Require a Minimum Order Quantity)



Textured Area for Consistent Surface



Brass Inserts for Cover On/Cover Off Applications

## Accessories



Optional Rubber Gasket Kit for Moisture and Dust Resistance (DC-58P & DC-85P only)



Mounting Boss Screws are Available for Purchase (4-24 X 1/4 Inch Thread Forming Screw) Bag of 100, \$2.50



DC-85P

## Enclosure Features and Options

Robust plastic electronic enclosures. Available with optional dust/moisture-tight gasket kit on select sizes. Cover screws into threaded brass inserts.

| Item Number | Material:<br>Flame Retardant ABS |         | Cover Styles   |                 |                                  | PC Board Mounting Bosses <sup>^^^</sup> | Closure Screw Into Threaded Brass Inserts | Gasket Kit Accessory | Insert Mold Capability | Standard Colors |      |      |
|-------------|----------------------------------|---------|----------------|-----------------|----------------------------------|---|---|----------------------|------------------------|-----------------|------|------|
|             | UL94-5VA <sup>^</sup>            | UL94V-0 | Flush/Textured | Recessed/Smooth | Clear Cover Option <sup>^^</sup> |   |   |                      |                        | Black           | Bone | Gray |
| DC-34P      | ✓                                | ✓       | ✓              | ✓               | ✓                                | ✓                                       | ✓   |                      | ✓                      | ✓               | ✓    |      |
| DC-44P      | ✓                                | ✓       | ✓              | ✓               | ✓                                | ✓                                       | ✓   |                      | ✓                      | ✓               | ✓    |      |
| DC-45P      | ✓                                | ✓       | ✓              | ✓               | ✓                                | ✓                                       | ✓   |                      | ✓                      | ✓               | ✓    |      |
| DC-46P      | ✓                                | ✓       | ✓              | ✓               | ✓                                | ✓                                       | ✓   |                      | ✓                      | ✓               | ✓    |      |
| DC-47P      | ✓                                | ✓       | ✓              | ✓               | ✓                                | ✓                                       | ✓   |                      | ✓                      | ✓               | ✓    |      |
| DC-58P      | ✓                                |         | ✓              | ✓               | ✓                                | ✓                                       | ✓   | ✓                    | ✓                      | ✓               | ✓    |      |
| DC-85P      | ✓                                |         | ✓              | ✓               | ✓                                | ✓                                       | ✓   | ✓                    | ✓                      | ✓               | ✓    |      |
| DC-96P      | ✓                                |         | ✓              | ✓               | ✓                                | ✓                                       | ✓   |                      | ✓                      | ✓               | ✓    |      |

<sup>^</sup>UL94-5VA rating requires flush textured cover option

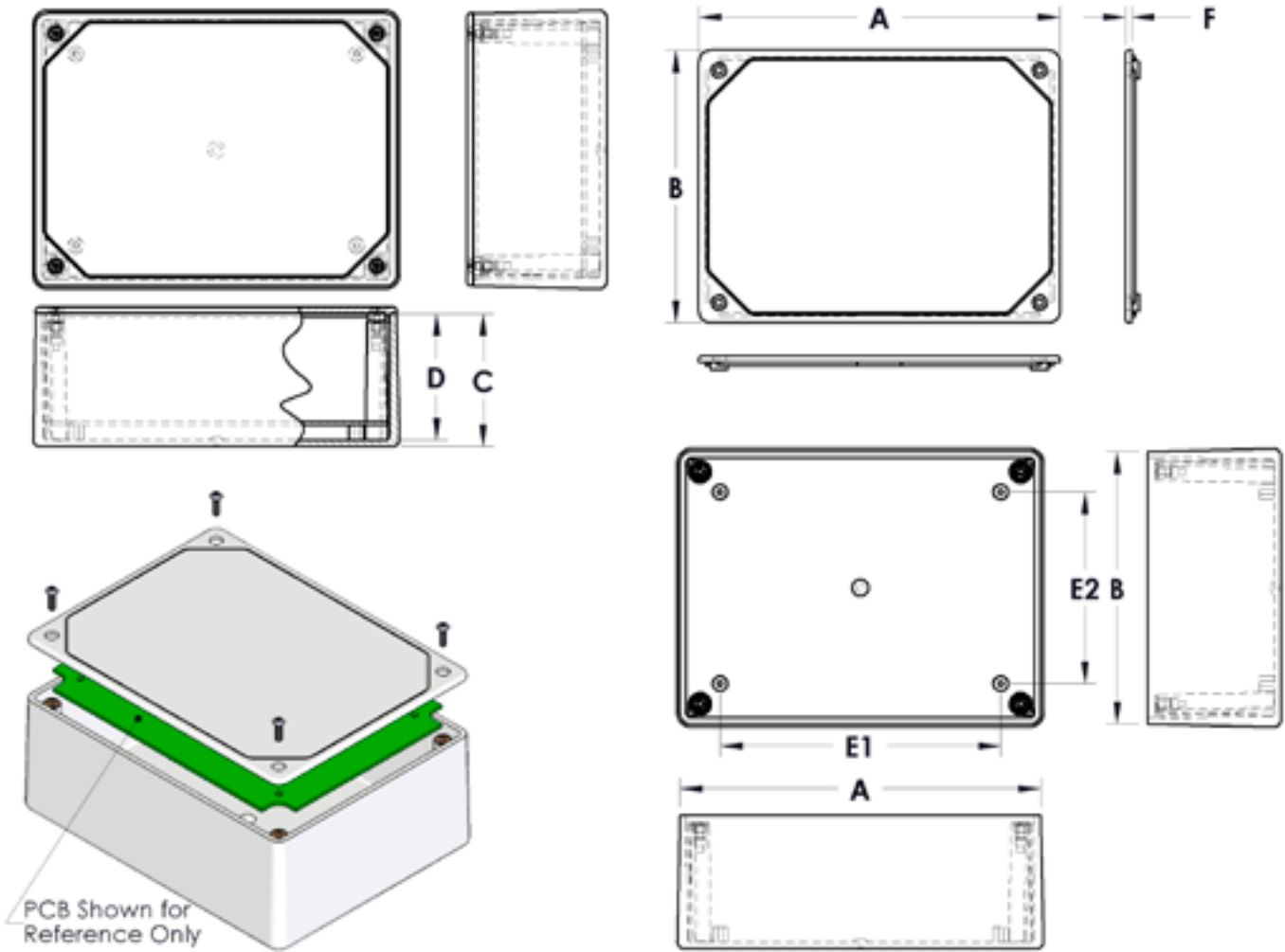
<sup>^^</sup> Clear cover is molded polycarbonate material with a flame rating of UL94V-2

<sup>^^^</sup> DC-85P has 8 mounting bosses in the base plus 6 mounting bosses in the case

NOTE: All DC enclosures include case, cover and screws for enclosure assembly.

## Customize Your Enclosure? See page 5

34 Buy online at [polycase.com](http://polycase.com) • Call 800-248-1233 or 440-934-0444



Dimensions in inches

| Item Number | Length A | Width B | Height C | Inside Depth D | PCB Bosses |       | Mtg. Boss Height | Cover Thickness F |
|-------------|----------|---------|----------|----------------|------------|-------|------------------|-------------------|
|             |          |         |          |                | E1         | E2    |                  |                   |
| DC-34P      | 4.610    | 3.100   | 1.770    | 1.670          | 3.250      | 1.750 | 0.250            | 0.105             |
| DC-44P      | 4.620    | 4.620   | 2.255    | 2.155          | 3.250      | 3.250 | 0.250            | 0.105             |
| DC-45P      | 6.125    | 4.620   | 1.250    | 1.150          | 4.750      | 3.250 | 0.250            | 0.105             |
| DC-46P      | 6.125    | 4.620   | 2.255    | 2.155          | 4.750      | 3.250 | 0.250            | 0.105             |
| DC-47P      | 7.620    | 4.620   | 2.255    | 2.155          | 6.250      | 3.250 | 0.250            | 0.105             |
| DC-58P      | 8.250    | 5.000   | 3.000    | 2.890          | 6.750      | 3.500 | 0.250            | 0.135             |
| DC-85P      | 8.250    | 5.000   | 4.330    | 4.080          | 6.750      | 3.500 | 0.250            | 1.305             |
| DC-96P      | 10.000   | 6.000   | 3.000    | 2.895          | 8.500      | 4.500 | 0.250            | 0.130             |

Enclosure includes case, cover and screws for enclosure assembly

WHEN ORDERING, PLEASE SPECIFY:

1. Item Number
2. Cover Style – Flush, textured or recessed, smooth area. For a clear cover, ask your Customer Service Representative.
3. Gasket Kit – Specify Yes or No (DC-58P & DC-85P only)
4. Bag of 100 Mounting Boss Screws – Specify Yes or No (\$2.50/Bag)
5. Color – Black, Bone or Gray

# DC series

WITH MOUNTING FLANGES



## Options



Smooth Area for Graphic Overlays or Membrane Keypads



Clear Covers (May Require a Minimum Order Quantity)



Textured Area for Consistent Surface



Brass Inserts for Cover On/Cover Off Applications

## Accessories



Optional Rubber Gasket Kit for Moisture and Dust Resistance (DC-58F & DC-85F only)



Mounting Boss Screws are Available for Purchase (4-24 X 1/4 Inch Thread Forming Screw) Bag of 100, \$2.50



DC-85F

## Enclosure Features and Options

Robust plastic electronic enclosures. Available with optional dust/moisture-tight gasket kit on select sizes. Cover screws into threaded brass inserts.

| Item Number | Material:<br>Flame Retardant ABS |         | Cover Styles   |                 |                                  | PC Board Mounting Bosses <sup>^^^</sup> | Closure Screw Into Threaded Brass Inserts | Gasket Kit Accessory | Insert Mold Capability | Standard Colors |      |      |
|-------------|----------------------------------|---------|----------------|-----------------|----------------------------------|---|---|----------------------|------------------------|-----------------|------|------|
|             | UL94-5VA <sup>^</sup>            | UL94V-0 | Flush/Textured | Recessed/Smooth | Clear Cover Option <sup>^^</sup> |   |   |                      |                        | Black           | Bone | Gray |
| DC-34F      | ✓                                | ✓       | ✓              | ✓               | ✓                                | ✓                                       | ✓   |                      | ✓                      | ✓               | ✓    |      |
| DC-44F      | ✓                                | ✓       | ✓              | ✓               | ✓                                | ✓                                       | ✓   |                      | ✓                      | ✓               | ✓    |      |
| DC-45F      | ✓                                | ✓       | ✓              | ✓               | ✓                                | ✓                                       | ✓   |                      | ✓                      | ✓               | ✓    |      |
| DC-46F      | ✓                                | ✓       | ✓              | ✓               | ✓                                | ✓                                       | ✓   |                      | ✓                      | ✓               | ✓    |      |
| DC-47F      | ✓                                | ✓       | ✓              | ✓               | ✓                                | ✓                                       | ✓   |                      | ✓                      | ✓               | ✓    |      |
| DC-58F      | ✓                                |         | ✓              | ✓               | ✓                                | ✓                                       | ✓   | ✓                    | ✓                      | ✓               | ✓    |      |
| DC-85F      | ✓                                |         | ✓              | ✓               | ✓                                | ✓                                       | ✓   | ✓                    | ✓                      | ✓               | ✓    |      |
| DC-96F      | ✓                                |         | ✓              | ✓               | ✓                                | ✓                                       | ✓   |                      | ✓                      | ✓               | ✓    |      |

<sup>^</sup>UL94-5VA rating requires flush textured cover option

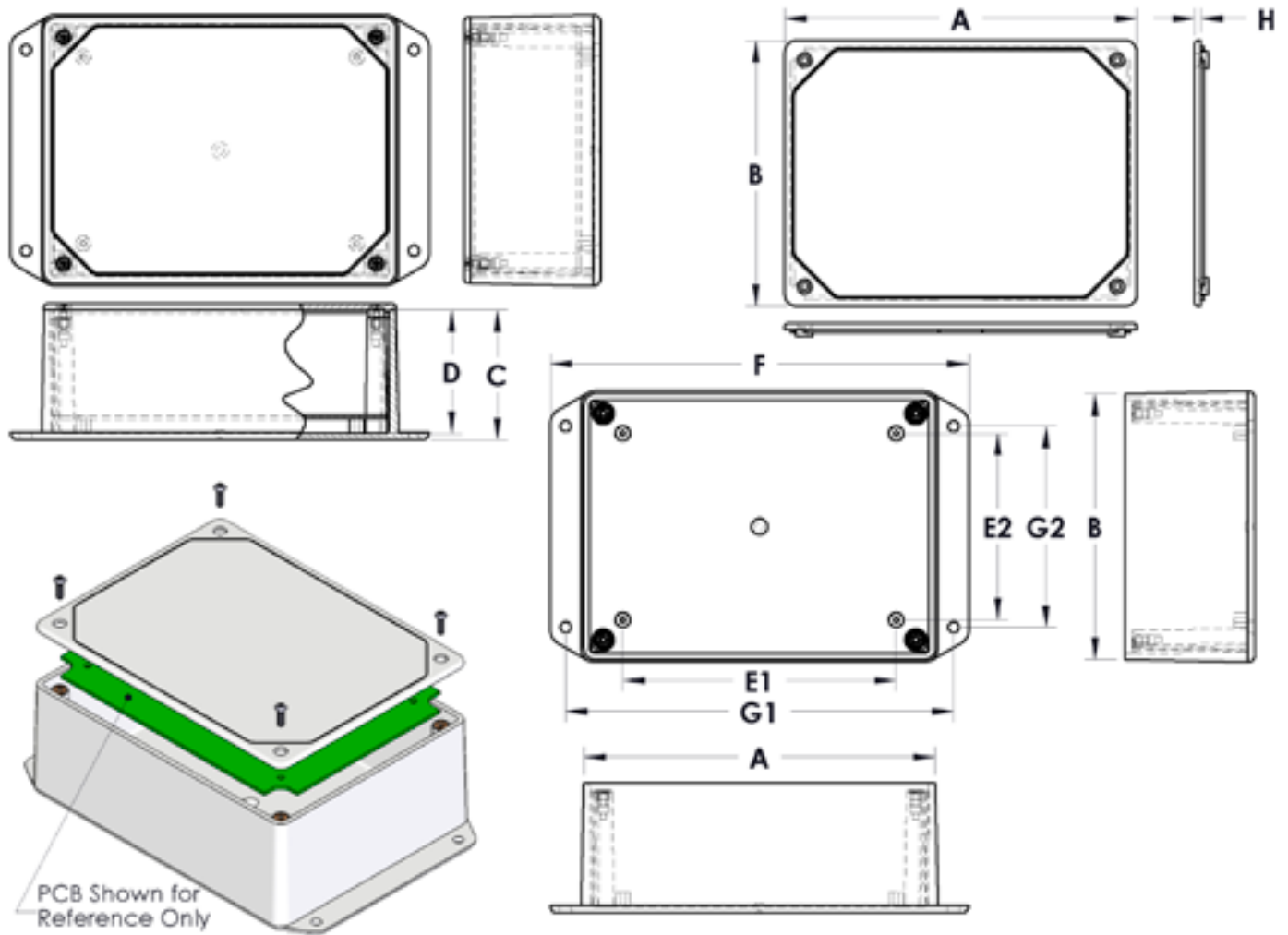
<sup>^^</sup> DC-85F has 8 mounting bosses in the base plus 6 mounting bosses in the case

<sup>^^^</sup> Clear cover is molded polycarbonate material with a flame rating of UL94V-2

NOTE: All DC enclosures include case, cover and screws for enclosure assembly.

## Customize Your Enclosure? See page 5

36 Buy online at [polycase.com](http://polycase.com) • Call 800-248-1233 or 440-934-0444



Dimensions in inches

| Item Number | Length A | Width B | Height C | Inside Depth D | PCB Bosses |       | Mtg. Boss Height | Mtg. Flange Length F | Mtg. Flange Holes |    | Cover Thickness H |
|-------------|----------|---------|----------|----------------|------------|-------|------------------|----------------------|-------------------|----|-------------------|
|             |          |         |          |                | E1         | E2    |                  |                      | G1                | G2 |                   |
| DC-34F      | 4.610    | 3.100   | 1.770    | 1.670          | 3.250      | 1.750 | 0.250            | 5.770                | 5.250 x 2.250     |    | 0.105             |
| DC-44F      | 4.620    | 4.620   | 2.255    | 2.155          | 3.250      | 3.250 | 0.250            | 5.775                | 5.250 x 3.500     |    | 0.105             |
| DC-45F      | 6.125    | 4.620   | 1.250    | 1.150          | 4.750      | 3.250 | 0.250            | 7.285                | 6.750 x 3.500     |    | 0.105             |
| DC-46F      | 6.125    | 4.620   | 2.255    | 2.155          | 4.750      | 3.250 | 0.250            | 7.285                | 6.750 x 3.500     |    | 0.105             |
| DC-47F      | 7.620    | 4.620   | 2.255    | 2.155          | 6.250      | 3.250 | 0.250            | 8.790                | 8.250 x 3.500     |    | 0.105             |
| DC-58F      | 8.250    | 5.000   | 3.000    | 2.890          | 6.750      | 3.500 | 0.250            | 9.375                | 8.875 x 3.375     |    | 0.135             |
| DC-85F      | 8.250    | 5.000   | 4.330    | 4.080          | 6.750      | 3.500 | 0.250            | 9.375                | 8.875 x 3.375     |    | 1.305             |
| DC-96F      | 10.000   | 6.000   | 3.000    | 2.895          | 8.500      | 4.500 | 0.250            | 11.400               | 10.750 x 4.000    |    | 0.130             |

Enclosure includes case, cover and screws for enclosure assembly

**WHEN ORDERING, PLEASE SPECIFY:**

1. Item Number
2. Cover Style – Flush, textured or recessed, smooth area. For a clear cover, ask your Customer Service Representative.
3. Gasket Kit – Specify Yes or No (DC-58F & DC-85F only)
4. Bag of 100 Mounting Boss Screws – Specify Yes or No (\$2.50/Bag)
5. Color – Black, Bone or Gray

**Customize Your Enclosure? See page 5**

**Buy online at [polycase.com](http://polycase.com) • Call 800-248-1233 or 440-934-0444**