

AG series



Options



Textured Area for Consistent Surface



Smooth Area for Graphic Overlays or Membrane Keypads (AG-54 & AG-85 only)



Molded-in Display Window for a 16 X 2 Character LCD (AG-54 Only)



Molded-in Keyholes with Screw Head Shields (AG-85 only)

Accessory



Mounting Boss Screws are Available for Purchase (4-24 X 1/4 Inch Thread Forming Screw) Bag of 100, \$2.50

Feature



End Panel (1): Easily Modified for Switches, Displays and Connectors.

Enclosure Features and Options

Desktop/instrument case with an aerodynamically-inspired, curvaceous design. This electronic enclosure has a removable end panel that is easily modified for switches, displays and connectors.

Item Number	Material: Flame Retardant ABS		Case Styles			Base Styles		End Panel Removable	PC Board Mounting Bosses	Screw-together Closure	Insert Mold Capability	Standard Colors				
	UL94-5VA [^]	UL94V-0	Flush/textured	Recessed/smooth	Molded-in Display Window	Recessed Area	Keyhole Wall-mount					Black	Bone	Gray	Metallic Blue ^{^^}	
																AG-43
AG-54	✓	✓	✓	✓	✓	✓		✓	✓	✓	✓	✓	✓	✓	✓	✓
AG-85	✓	✓	✓	✓		✓	✓	✓	✓	✓	✓	✓	✓	✓	✓	✓

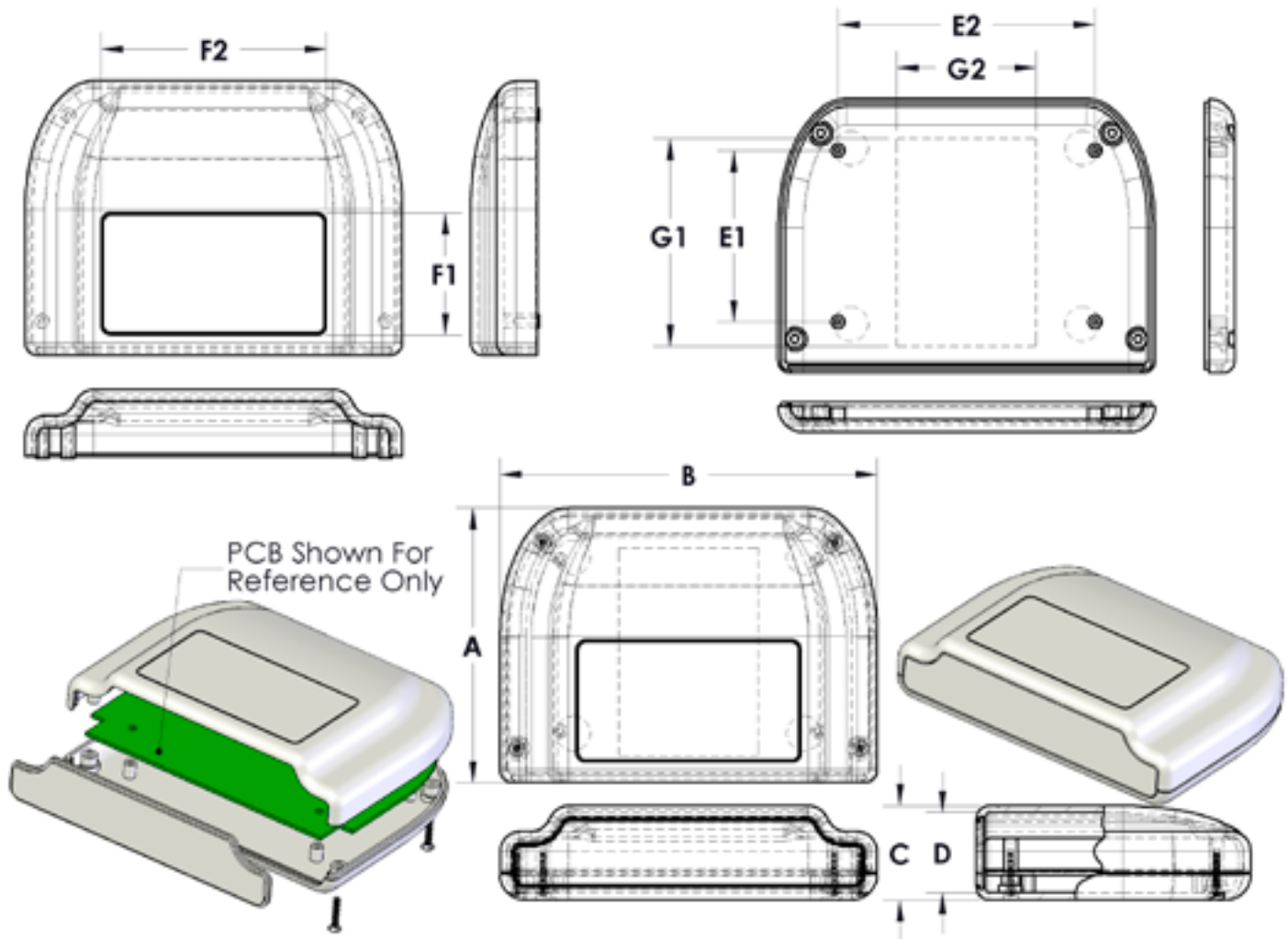
[^]Requires flush textured case option

^{^^}Metallic blue flame rated UL94V-1 and UL94-5VB and is available in flush, textured style only

NOTE: All AG enclosures include case, base, one end panel and screws for enclosure assembly

Customize Your Enclosure? See page 5

12 Buy online at polycase.com • Call 800-248-1233 or 440-934-0444



Dimensions in inches

Item Number	Length A	Width B	Height C	Inside Depth D	PCB Bosses		Mtg. Boss Height	Graphic Overlay Case		Graphic Overlay Base	
					E1	E2		F1	F2	G1	G2
AG-43	3.000	4.000	1.375	1.165	1.500	2.250	0.250	NA	NA	1.530 x 1.650	
AG-54	4.000	5.500	1.375	1.165	2.500	3.750	0.250	1.781 x 3.281		3.030 x 2.030	
AG-54 Window*	4.000	5.500	1.375	1.165	2.500	3.750	0.250	NA	NA	3.030 x 2.030	
AG-85	5.000	7.500	1.750	1.540	2.375	6.125	0.250	2.281 x 4.531		3.030 x 2.030	
AG-85 Keyhole**	5.000	7.500	1.750	1.540	2.375	6.125	0.250	2.281 x 4.531		3.030 x 2.030	

*AG-54 Window – Refer to www.polycase.com/images/items/AG-54MBTW.pdf

**AG-85 Keyhole Wall-mount

Enclosure includes case, base, end panel and screws for enclosure assembly

WHEN ORDERING, PLEASE SPECIFY:

1. Item Number
2. Case – Flush, textured or 0.030" recessed, smooth area
3. Bag of 100 Mounting Boss Screws – Specify Yes or No (\$2.50/Bag)
4. Color – Black, Bone, Gray or Metallic Blue

Customize Your Enclosure? See page 5
Buy online at polycase.com • Call 800-248-1233 or 440-934-0444